

SIRUBA

GAGE PARTS LIST

Series

C007K / C858K
C007KD / C858KD

Remark

Page

Date

1 / 7

2013/07/05

MODEL	SUB-CLASS	NEEDLE CLAMP	NEEDLE PLATE	MAIN FEED DOG	DIFF. FEED DOG	PRESSER FOOT	SPREADER	LOOPER	NEEDLE
機 型	規 格	針 座	針 板	主 送 具	差 送 具	押 具	上 叉	勾 針	針 號
W121/CH	232 240 248 348 356 364	M5232 M5240 M5248 M5348 M5356 M5364	E5232KL E5240KL E5248KL E5348KL E5356KL E5364KL	D5356K	H5356K-E	P5232A-A P5240A-A P5248A-A P5348A-A P5356A-A1 P5364A-A1	MH41	MT01	UYX128GAS#10
W122/CH-3M	356 364	M5356 M5364	E5356KM E5364KM			P2456-A P2457-A			
W123/CH	232 240 248 348 356 364	M5232 M5240 M5248 M5348 M5356 M5364	E5232KH E5240KH E5248KH E5348KH E5356KH E5364KH			P5232A-A P5240A-A P5248A-A P5348A-A P5356A-A1 P5364A-A1			
W152/CZ/UTP/RLQ	356 364	M5356 M5364	E5356GM E5364GM	D5356G	H5356L	P2416-A P2417-A			
W152/CZP/RLQ									

C007K(KD)
C858K(KD)

SIRUBA

MODEL COMPARE LIST

Series

C007K / C858K
C007KD / C858KD

Remark

Page

Date

2 / 7

2013/07/06

MODEL	SUB-CLASS	NEEDLE CLAMP	NEEDLE PLATE	MAIN FEED DOG	DIFF. FEED DOG	PRESSER FOOT	SPREADER	LOOPER	NEEDLE	
機 型	規 格	針 座	針 板	主 送 具	差 送 具	押 具	上 叉	勾 針	針 號	
C007K(KD) C858K(KD)	W162/CH	240 248 348 356 364	M5240 M5248 M5348 M5356 M5364	E5240KHA E5248KHA E5348KHA E5356KHA E5364KHA	D5356K	H5356K-E	P5240A-A P5248A-A P5348A-A P5356A-A1 P5364A-A1	MH41	MT01A	TV*5#14~16
	W222/CO	240 248 356 364	M5240 M5248 M5356 M5364	E5240GM E5248GM E5356GM E5364GM	D5356G	H5356G	P1814K-A P1815K-A P2116K-A P2117K-A	MH41	MT01	UYX128GAS#10
	W222/COA/CLA	256 356	M5356	E2326Q	D2110	H2220Q	P2906Q-A	MH41	MT01A	TVX5#14
	W322/CC	356	M5356	E5356AM E5364AM	D5356K	H5356A	P2456-A	MH41	MT01	UYX128GAS#10
W322/CE	364	M5364	E5356BM E5364BM	H5356B		P2457-A				
C007K C858K	W512/FE(FFC)	232 240 356 364	M5232 M5240 M5356 M5364	E5232FM E5240FM E5356FM E5364FM	D5356K	H5356K-E	P2913-A P2914-A P3216-A P3217-A	—	MT01	UYX128GAS#10
	U512/FE(FFC)	240 356 364	M5240 M5356 M5364	E5240FM E5356FM E5364FM			P3414-A P3716-A P3717-A			

SIRUBA

GAGE PARTS LIST

Series
C007K / C858K
C007KD / C858KD

Remark

Page

Date

3 / 7

2013/10/15

MODEL	機 型	SUB-CLASS	規 格	NEEDLE CLAMP	針 座	NEEDLE PLATE	針 板	MAIN FEED DOG	主 送 具	DIFF. FEED DOG	差 送 具	PRESSER FOOT	押 具	SPREADER	上 叉	LOOPER	勾 針	NEEDLE	針 號		
C007K C858K	W522 / FE(FFC) / CR		232 240 248 348 356 364	M5232 M5240 M5248 M5348 M5356 M5364	E5232CH E5240CH E5232CH E5348CH E5356CH E5364CH	D5356C	H5356C	P3813R-A1 P5240C-A1 P5248C-A1 P5348C-A1 P3816R-A1 P3817R-A1	MH-41	MT01	UYX128GAS#10										
C007K C858K	W542 / CFC / CL / FH / 2(3A)		240 248 356 364	M5240 M5248 M5356 M5364	E2324P E2325P E2326P E2327P	D2109 D2110	H2219 H2220	P2904-A P2905-A P2906-A P2907-A					P2763-A P2764-A P2765-A P2766-A P2767-A								
C007K(KD) C858K(KD)	W811 / CRL		232 240 248 356 364	M5232 M5240 M5248 M5356 M5364	E5232ML E5240ML E5248ML E5356ML E5364ML	D5356H	H5356M	P0963-A P0964-A P0965-A P0966-A P0967-A													
	U811 / CRL																				

SIRUBA

MODEL COMPARE LIST

Series

Remark

Page

Date

C007K / C858K
C007KD / C858KD

W812 /W813 : 4tof teeth
W812A/W813A : 5tof teeth

4 / 7

2013/02/23

MODEL	SUB-CLASS	NEEDLE CLAMP	NEEDLE PLATE	MAIN FEED DOG	DIFF. FEED DOG	PRESSER FOOT	SPREADER	LOOPER	NEEDLE		
機 型	規 格	針 座	針 板	主 送 具	差 送 具	押 具	上 叉	勾 針	針 號		
C007K(KD) C858K(KD)	W811A/CRL	232 240 248 356 364	M5232 M5240 M5248 M5356 M5364	D5356H	H5356N	P0963-A P0964-A P0965-A P0966-A P0967-A	—	MH41	MT01	UYX128GAS#10	
	W811A/CRL										
	W812/CRL										
	W812/CRL										
W812A/CRL	232 240 248 356 364	M5232 M5240 M5248 M5356 M5364	E5232MM E5240MM E5248MM E5356MM E5364MM	D5356H	H5356N	P0963-A P0964-A P0965-A P0966-A P0967-A	—	MH41	MT01	UYX128GAS#10	
											W812A/CRL
											W812A/CRL
U812A/CRL	232 240 248 356 364	M5232 M5240 M5248 M5356 M5364	E5232NM E5240NM E5248NM E5356NM E5364NM	H5356N	—	—	—	—	—		

SIRUBA

MODEL COMPARE LIST

Series

Remark

Page

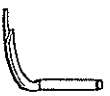
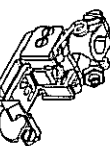
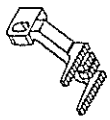
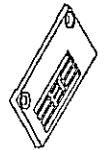
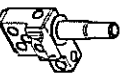
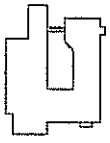
Date

C007K / C858K
C007KD / C858KD

W812 /W813 : 4rof teeth
W812A/W813A : 5rof teeth

5 / 7

2013/02/23



MODEL	SUB-CLASS	NEEDLE CLAMP	NEEDLE PLATE	MAIN FEED DOG	DIFF. FEED DOG	PRESSER FOOT	SPREADER	LOOPER	NEEDLE
機 型	規 格	針 座	針 板	主送具	差送具	押 具	上 叉	勾 針	針 號
C007K(KD) C858K(KD)	W813/CRL	232 240 248 356 364	M5232 M5240 M5248 M5356 M5364	D5356H	H5356M	P2763-A P2764-A P2765-A P2766-A P2767-A	MH41	MT01	UYX128GAS#10
	W813A/CRL					E5232NH E5240NH E5248NH E5356NH E5364NH			
	U813/CRL					E5232MH E5240MH E5248MH E5356MH E5364MH			
W821/CRL/CHP/UTP/CL/RL	U821/CRL/CHP/UTP/CL/RL	232 240 248 356 364	M5232 M5240 M5248 M5356 M5364	D5356H	H5356M	P2763-A P2764-A P2765-A P2766-A P2767-A	MH41	MT01	UYX128GAS#10
	U813A/CRL					E5232NH E5240NH E5248NH E5356NH E5364NH			
	U821/CRL/CHP/UTP/CL/RL					E5232ML E5240ML E5248ML E5356ML E5364ML			

SIRUBA

GAGE PARTS LIST

Series
C007K / C858K
C007KD / C858KD

Remark

Page

Date

6 / 7

2013/02/23

機 型	規 格	針 座	針 板	主送具	差送具	押 具	上 叉	勾 針	針 號							
MODEL	SUB-CLASS	NEEDLE CLAMP	NEEDLE PLATE	MAIN FEED DOG	DIFF. FEED DOG	PRESSER FOOT	SPREADER	LOOPER	NEEDLE							
W821A/CRL/CHP/UTP/CL/RL	232 240 248 356 364	M5232 M5240 M5248 M5356 M5364	E5232NL E5240NL E5248NL E5356NL E5364NL	D5356H	H5356N	P2763-A P2764-A P2765-A P2766-A P2767-A	MH41	MT01	UYX128GAS#10							
										W822/CRL/CHP/UTP/CL/RL	E5232MM E5240MM E5248MM E5356MM E5364MM	H5356M	P0963-A P0964-A P0965-A P0966-A P0967-A			
														W822A/CRL/CHP/UTP/CL/RL	E5232NM E5240NM E5248NM E5356NM E5364NM	MH41

SIRUBA

GAGE PARTS LIST

Series
C007K / C858K
C007KD / C858KD

Series

Remark

Page

Date

7/7

2013/02/23

MODEL	SUB-CLASS	NEEDLE CLAMP	NEEDLE PLATE	MAIN FEED DOG	DIFF. FEED DOG	PRESSER FOOT	SPREADER	LOOPER	NEEDLE				
機 型	規 格	針 座	針 板	主送具	差送具	押 具	上 叉	勾 針	針 號				
W823 /CRL /CHP /UTP /CL /RL		M5232 M5240 M5248 M5356 M5364	E5232MH E5240MH E5248MH E5356MH E5364MH	D5356H	H5356M	P2763-A P2764-A P2765-A P2766-A P2767-A P0963-A P0964-A P0965-A P0966-A P0967-A	MH41	MT01	UYX128GAS#10				
UB23A /CRL /CHP /UTP /CL /RL			E5232NH E5240NH E5248NH E5356NH E5364NH										
W922 /CW	456 460 464	M5456K M5460K M5464K	E5456KM E5460KM E5464KM	D5456K	H5456K-E	P5456K-A P5460K-A P5464K-A	MH41	MT01B	SM1014B#10				

SIRUBA

GAGE PARTS LIST

C007KD

USE FOR FFT

Series

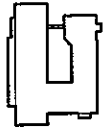


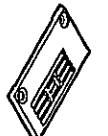



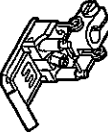



Remark

Page

Date

3 / 4

2013/07/15

機 型	規 格	針 座	針 板	主送具	差送具	上送具	壓 具	勾 針	上 叉	NEEDLE
										
MODEL	SUB-CLASS	NEEDLE CLAMP	NEEDLE PLATE	MAIN FEED DOG	DIFF. FEED DOG	TOP FEED DOG	PRESSER FOOT	LOOPER	SPREADER	NEEDLE
W811A/FFT/CRL	240 248 356 364	M5240 M5248 M5356 M5364	E5240N1 E5248N1 E5356N1 E5364N1	D5356H	H5356N	F7356L	P7240L-A P7248L-A P7356L-A P7364L-A	MT01	MH41	UYX128GAS#10
U811A/FFT/CRL	240 248 356 364	M5240 M5248 M5356 M5364	E5240N1 E5248N1 E5356N1 E5364N1	D5356H	H5356N	F7356L	P7240L-A P7248L-A P7356L-A P7364L-A	MT01	—	UYX128GAS#10
U811A/FFT/CRL	240 248 356 364	M5240 M5248 M5356 M5364	E5240N1 E5248N1 E5356N1 E5364N1	D5356H	H5356N	F7356L	P7240H-A P7248H-A P7356H-A P7364H-A	MT01	—	UYX128GAS#10
U811A/FFT/CRL	240 248 356 364	M5240 M5248 M5356 M5364	E5240NM E5248NM E5356NM E5364NM	D5356H	H5356N	F7356L	P7240L-A P7248L-A P7356L-A P7364L-A	MT01	MH41	UYX128GAS#10
U812A/FFT/CRL	240 248 356 364	M5240 M5248 M5356 M5364	E5240NM E5248NM E5356NM E5364NM	D5356H	H5356N	F7356L	P7240H-A P7248H-A P7356H-A P7364H-A	MT01	—	UYX128GAS#10
W812A/FFT/CRL	240 248 356 364	M5240 M5248 M5356 M5364	E5240NM E5248NM E5356NM E5364NM	D5356H	H5356N	F7356L	P7240L-A P7248L-A P7356L-A P7364L-A	MT01	MH41	UYX128GAS#10

SIRUBA

PARTS LIST

Series

C007K/C007KD
C858K/C858KD

Parts Group

MF-K

Subclass / Remark

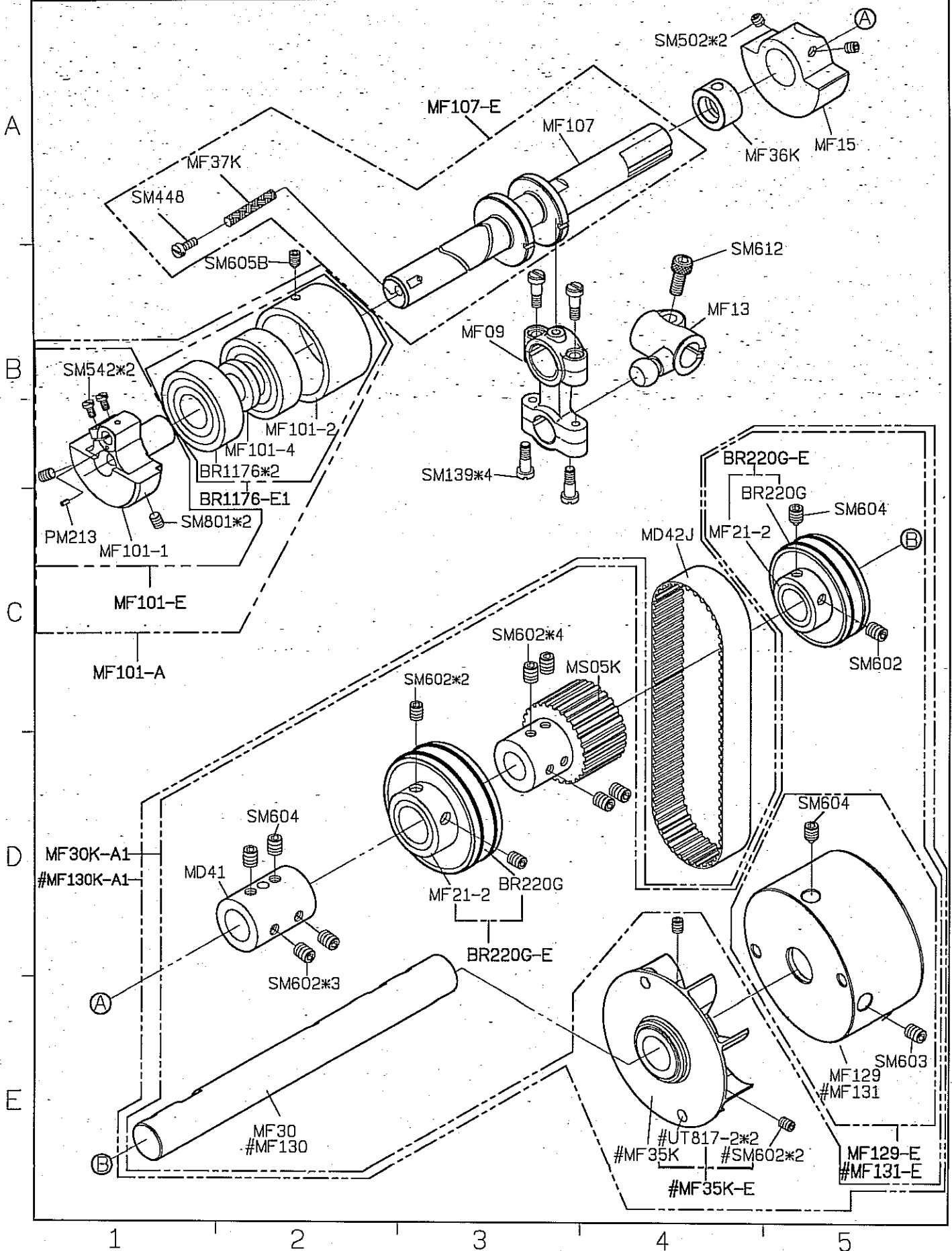
#: Use for C007KD/C858KD

Page

1/1

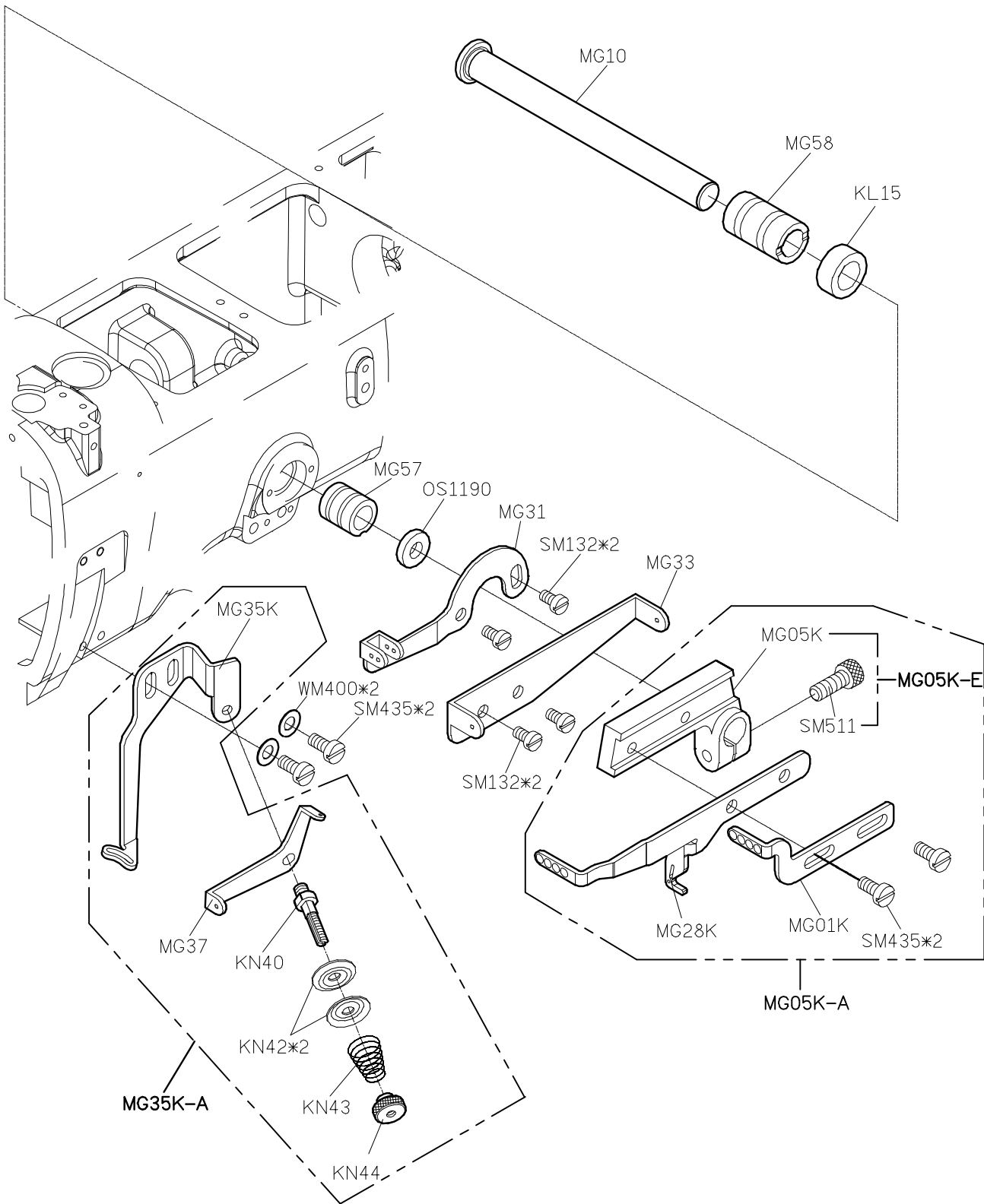
Date

2013/11/28

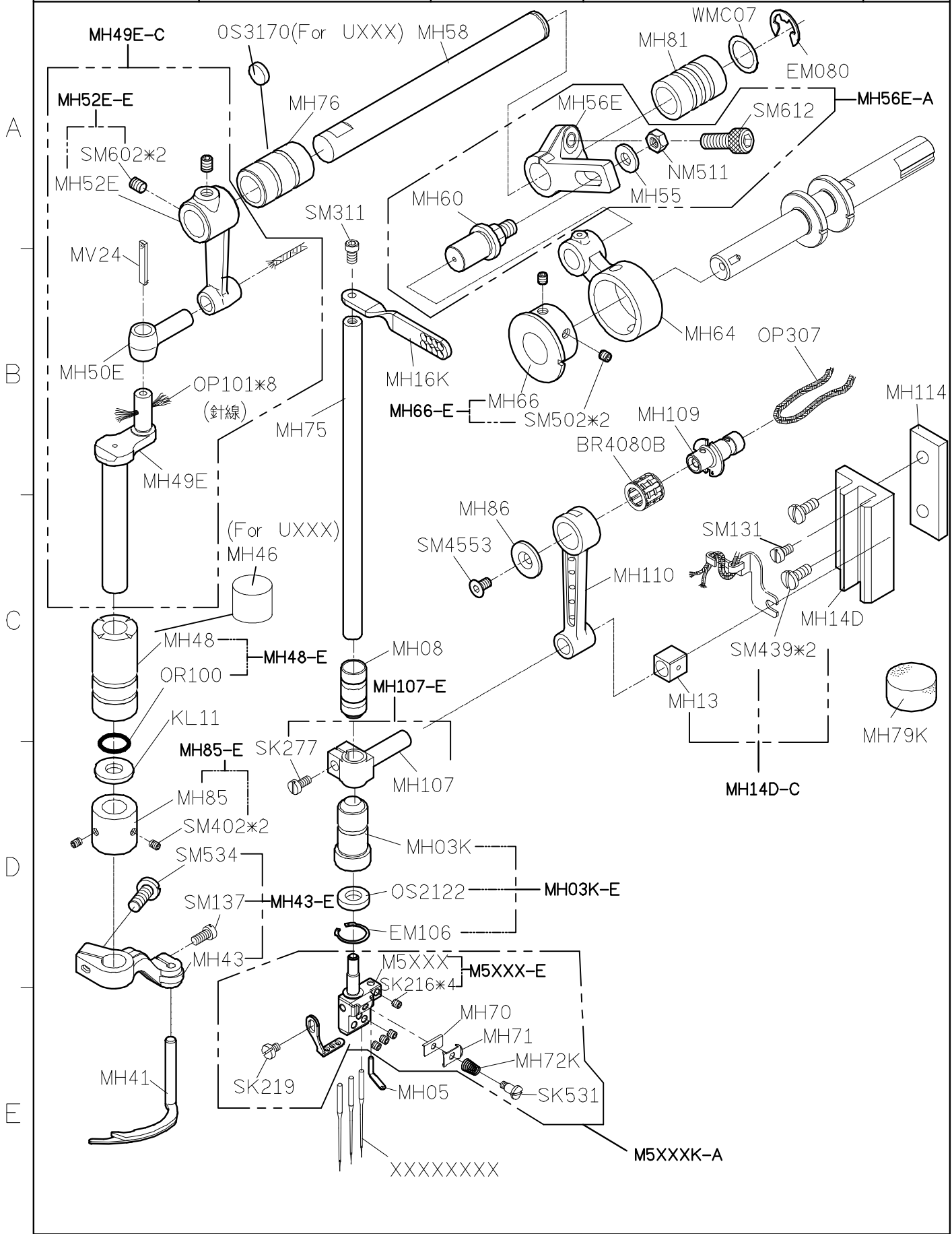


SIRUBA PARTS LIST	Series	Parts Group	Subclass / Remark	Page
	C007K/C007KD	MG-K		1/1
	C858K/C858KD			Date
				2012/11/01

A
B
C
D
E



SIRUBA PARTS LIST	Series	Parts Group	Subclass / Remark	Page
	C007K/C007KD	MH-K		1/1
	C858K/C858KD			Date
				2012/11/01



SIRUBA

PARTS LIST

Series

C007K/C007KD
C858K/C858KD

Parts Group

MJ-K

Subclass / Remark

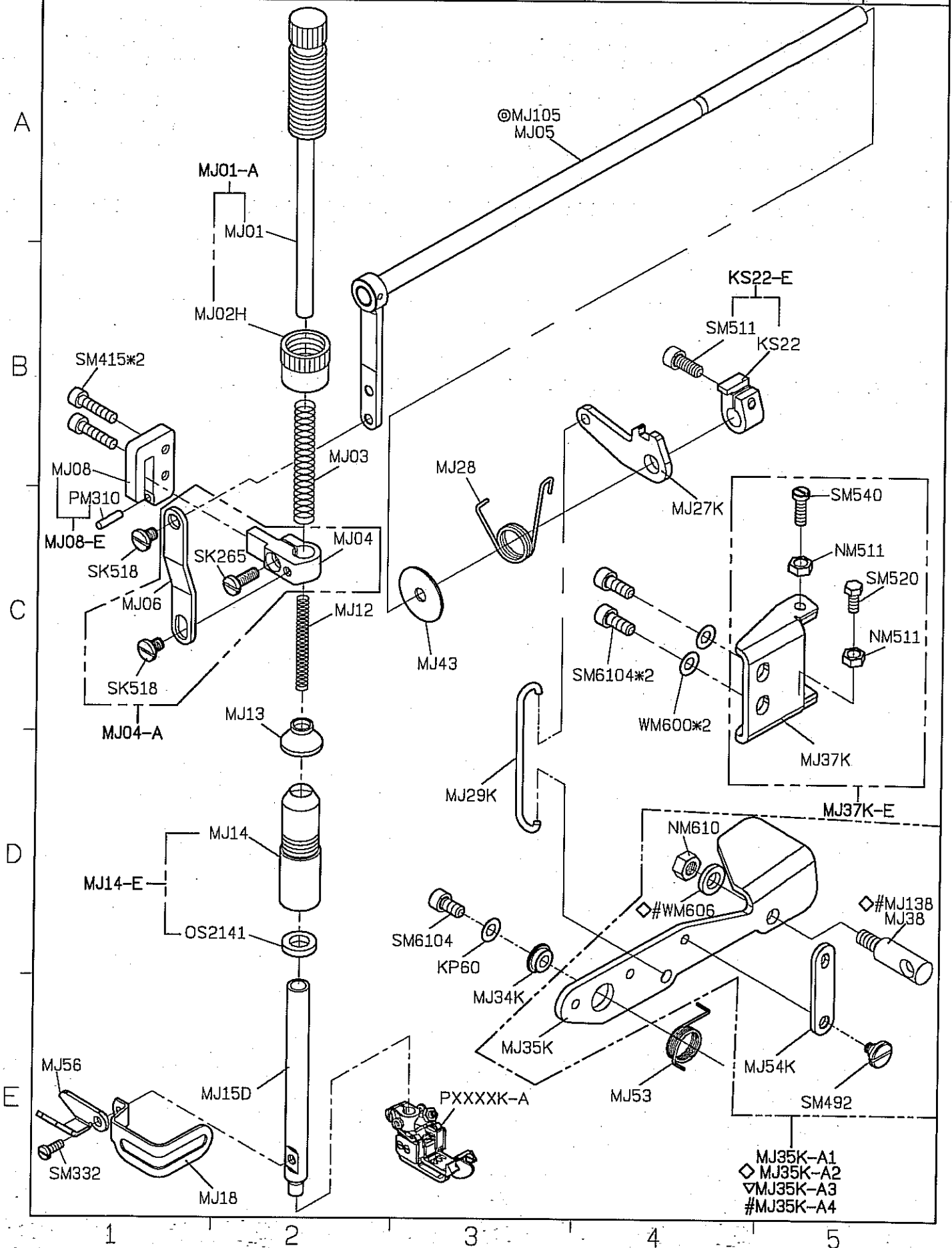
⊙: Use for C007KD/C858KD
 ▽: Use for C007K/C858K-UT
 ◇: Use for C007KD/C858KD-UT
 #: Use for C007KD/C858KD not for UT

Page

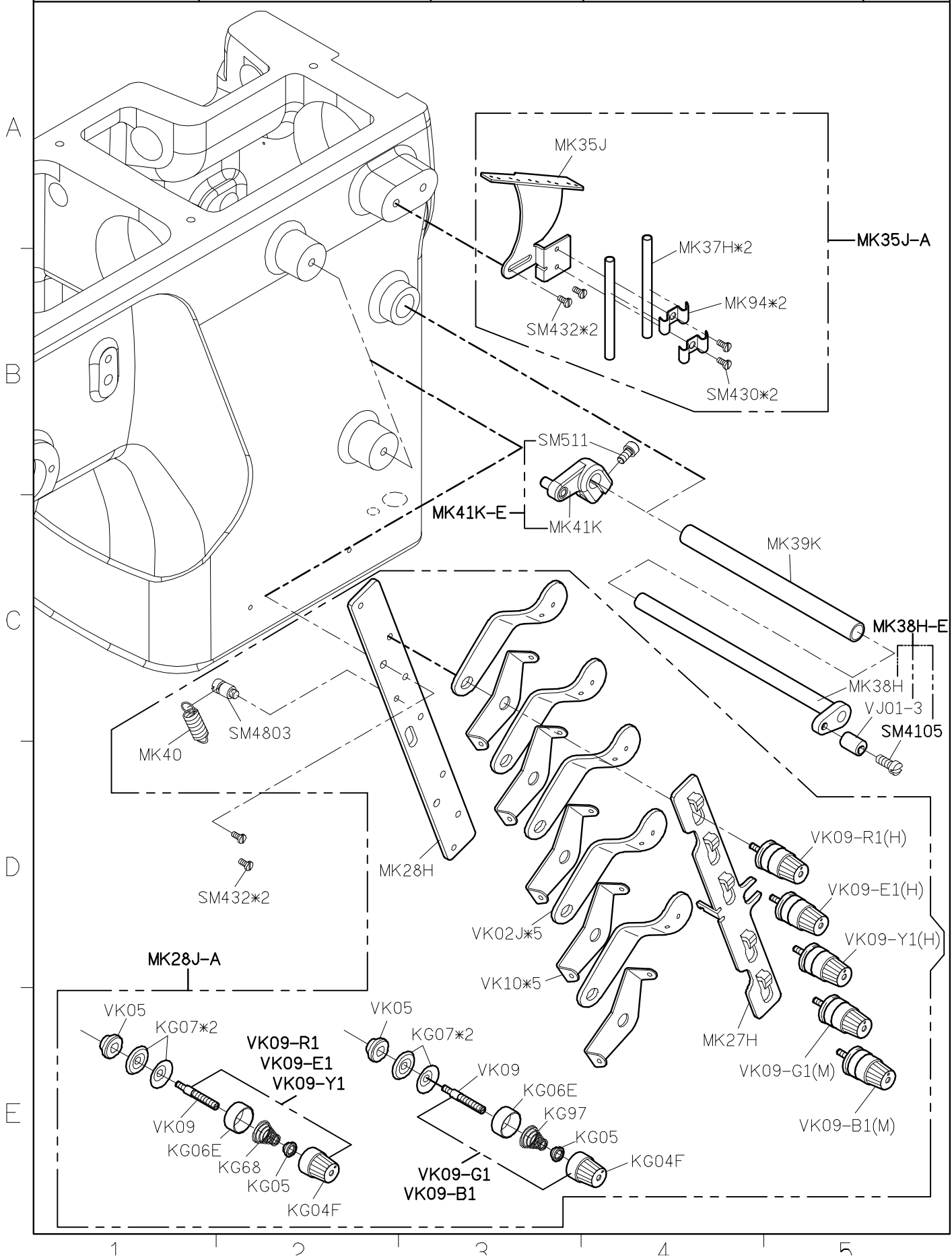
1/1

Date

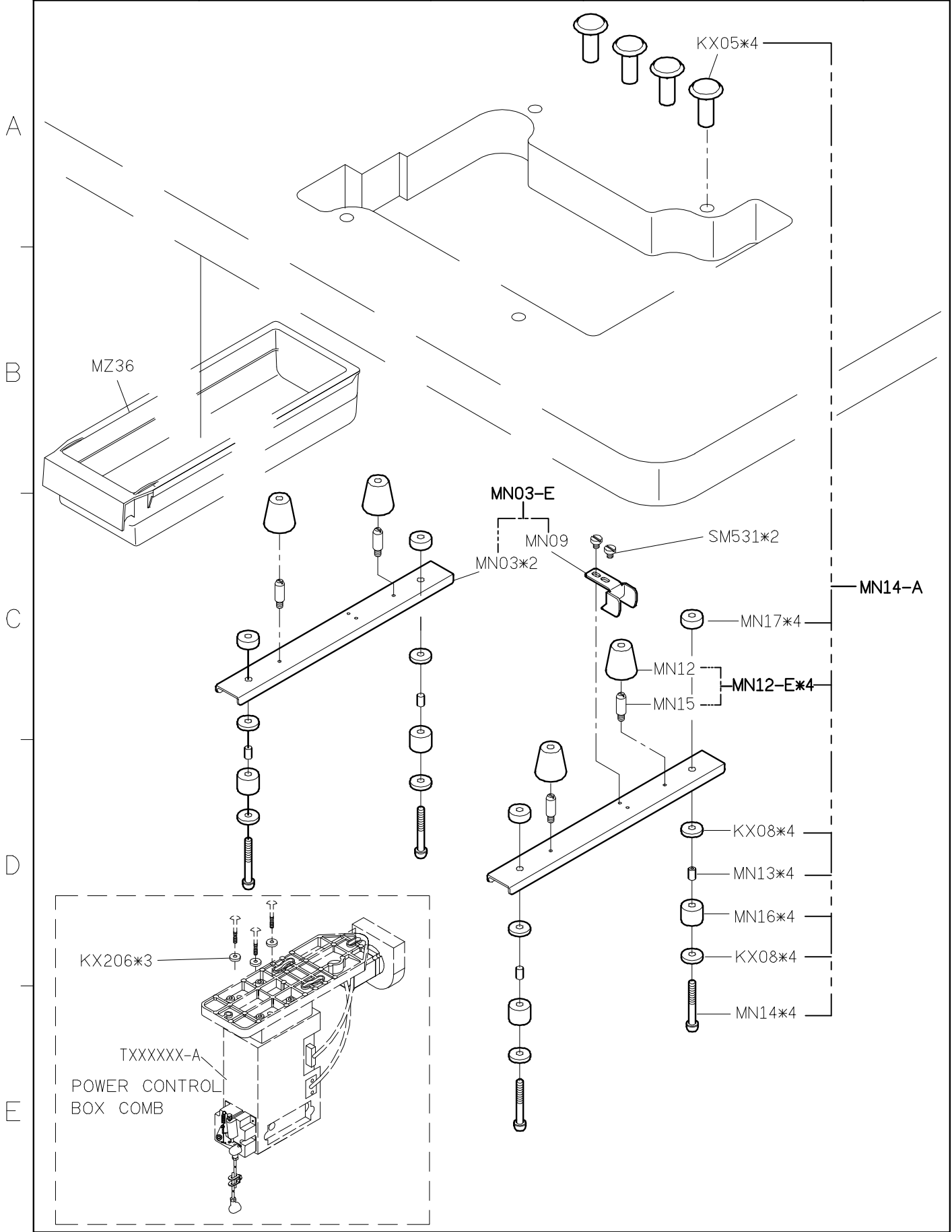
2014/02/22



SIRUBA PARTS LIST	Series	Parts Group	Subclass / Remark	Page
	C007K/C007KD	MK-K		1/1
	C858K/C858KD			Date
				2012/11/01



SIRUBA PARTS LIST	Series	Parts Group	Subclass / Remark	Page
	C007K/C007KD	MN-K		1/2
	C858K/C858KD			Date
				2012/11/01



1

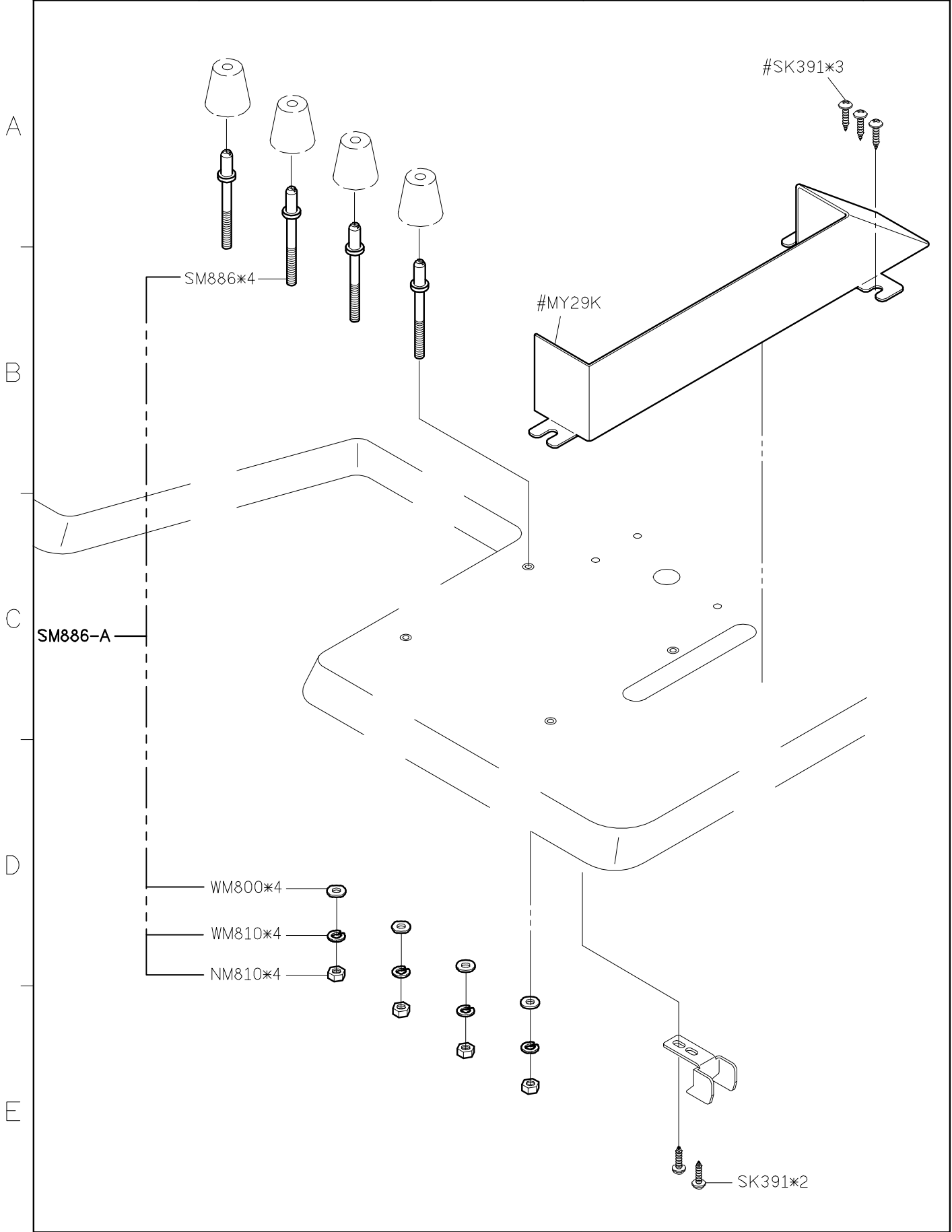
2

3

4

5

SIRUBA PARTS LIST	Series	Parts Group	Subclass / Remark	Page
	C007K/C007KD	MN-K	#: Use for C007K/C858K	2/2
	C858K/C858KD			Date
				2012/11/01



1

2

3

4

5

SIRUBA

PARTS LIST

Series

C007K/C007KD
C858K/C858KD

Parts Group

MQ-K

Subclass / Remark

☐ : Use for H brand motor
: Use for C007KD/C858KD

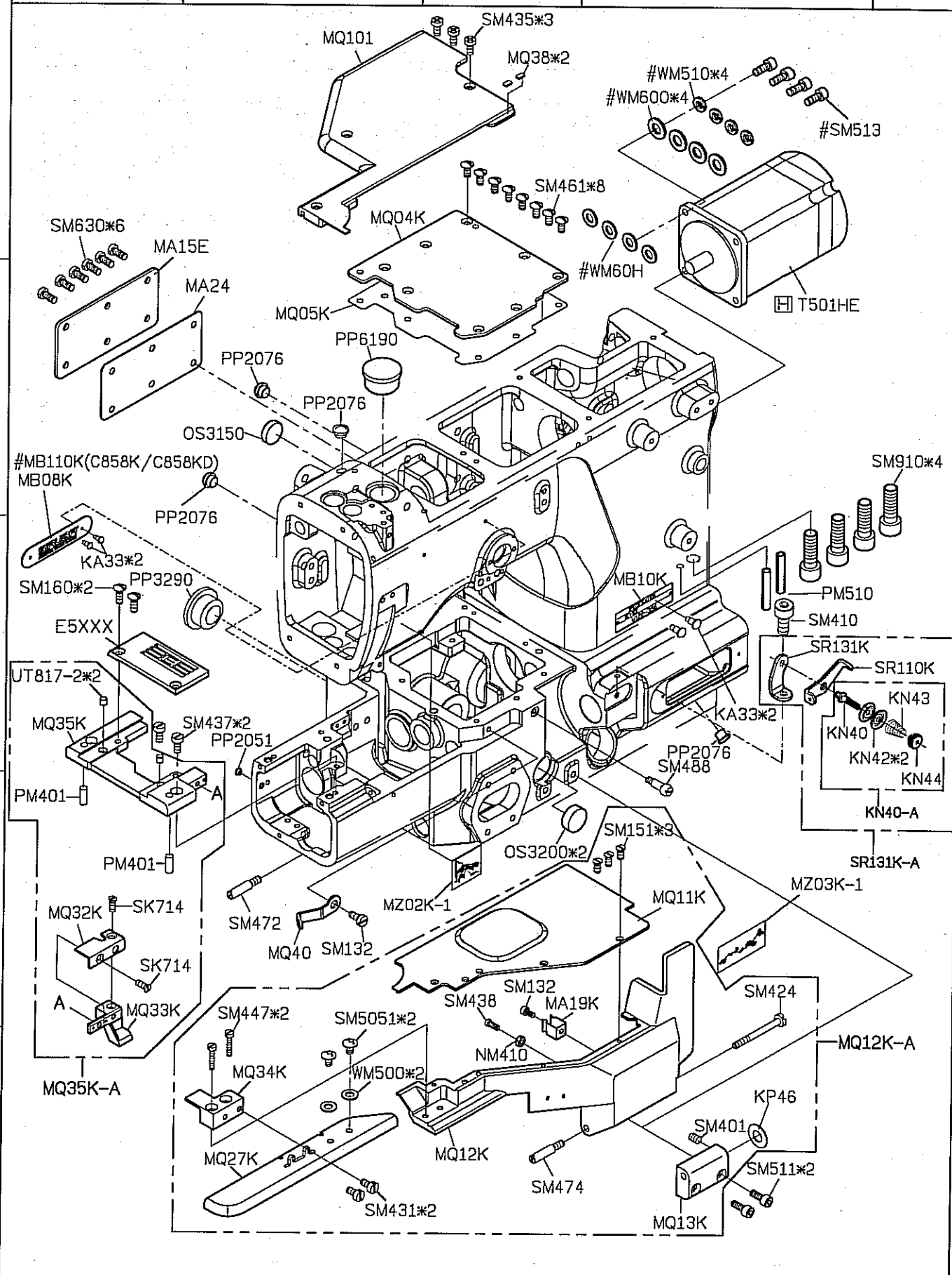
Page

1/1

Date

2014/02/28

A
B
C
D
E



1 2 3 4 5

SIRUBA

PARTS LIST

Series
C007K/C007KD
C858K/C858KD

Parts Group
MS-K

Subclass / Remark
: Use for C007KD/C858KD

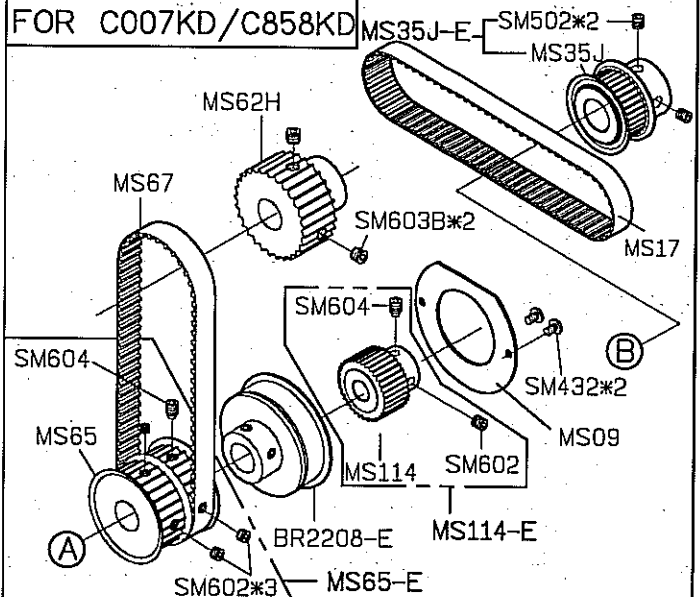
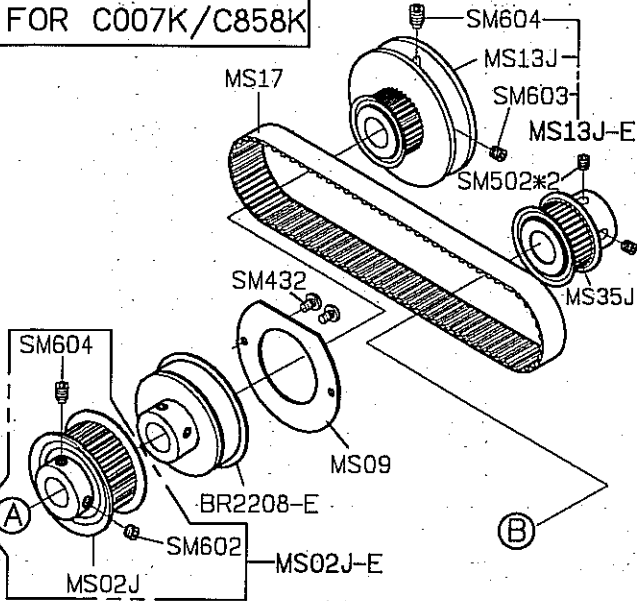
Page
1/1
Date
2014/03/06

FOR C007K/C858K

FOR C007KD/C858KD

A

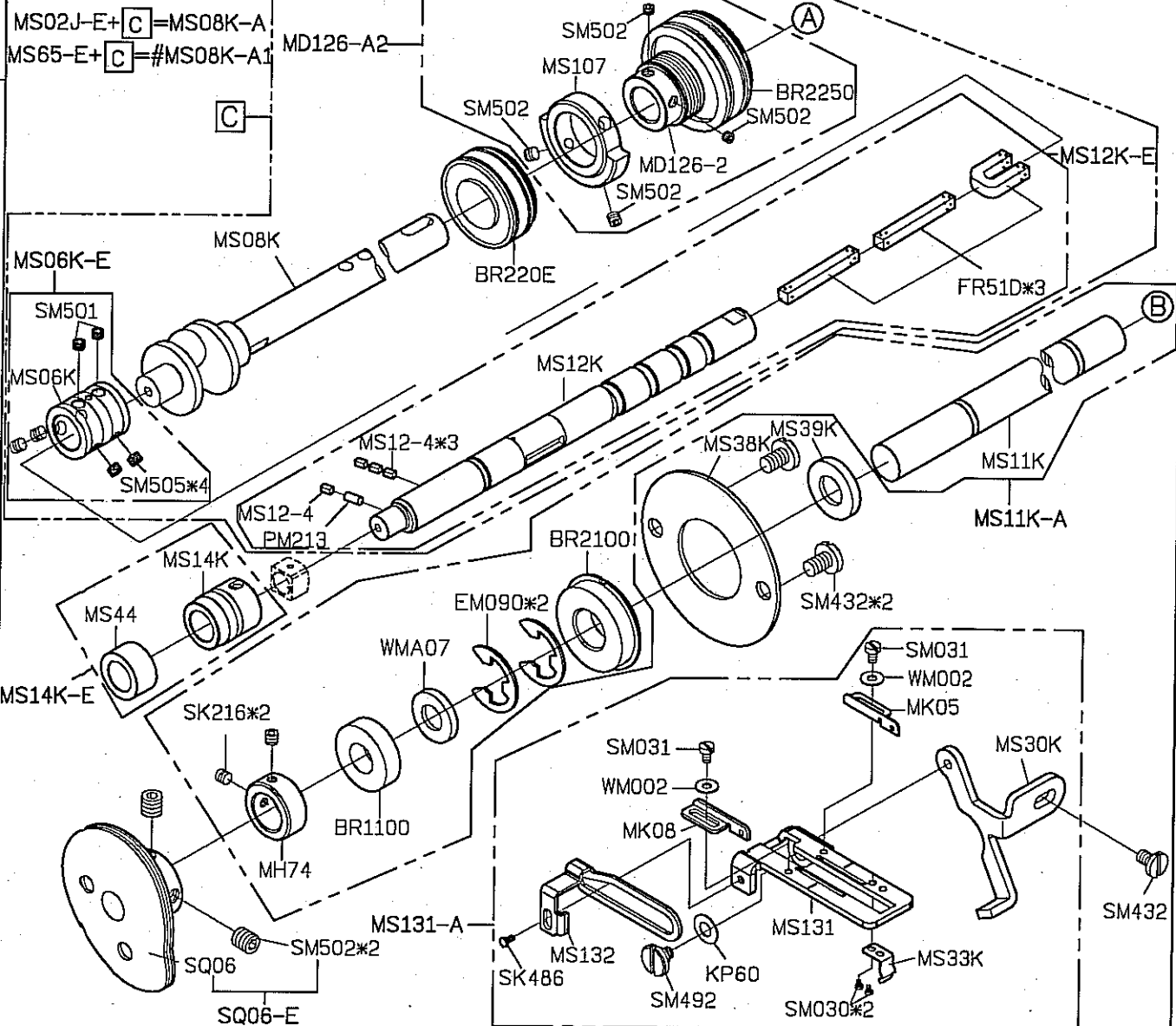
B



C

D

E



1

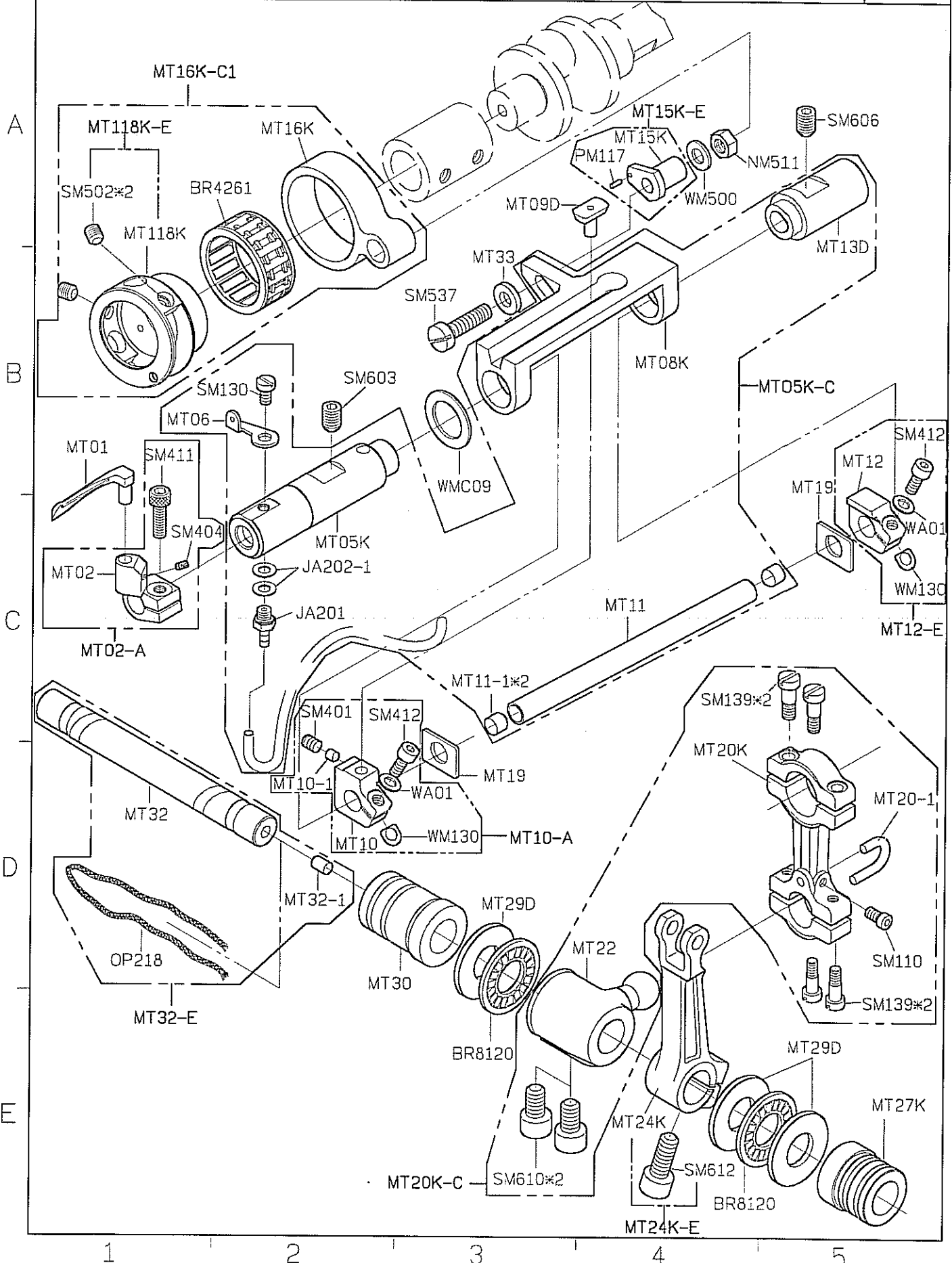
2

3

4

5

SIRUBA PARTS LIST	Series	Parts Group	Subclass / Remark	Page
	C007K/C007KD	MT-K		1/1
	C858K/C858KD			Date
				2013/07/16



SIRUBA

PARTS LIST

Series

C007K/C007KD
C858K/C858KD

Parts Group

MU-K

Subclass / Remark

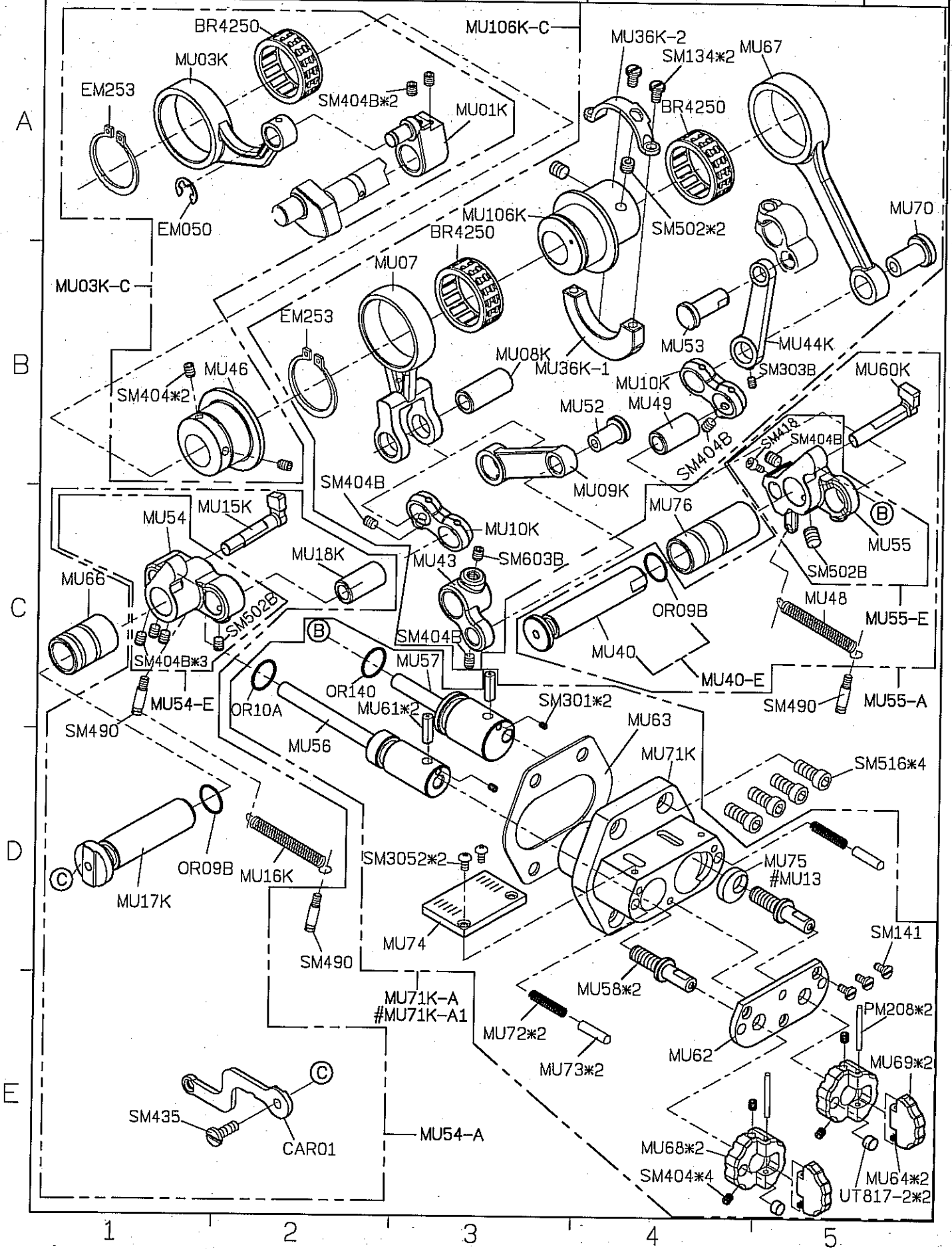
: Use for CRL

Page

1/1

Date

2014/02/19



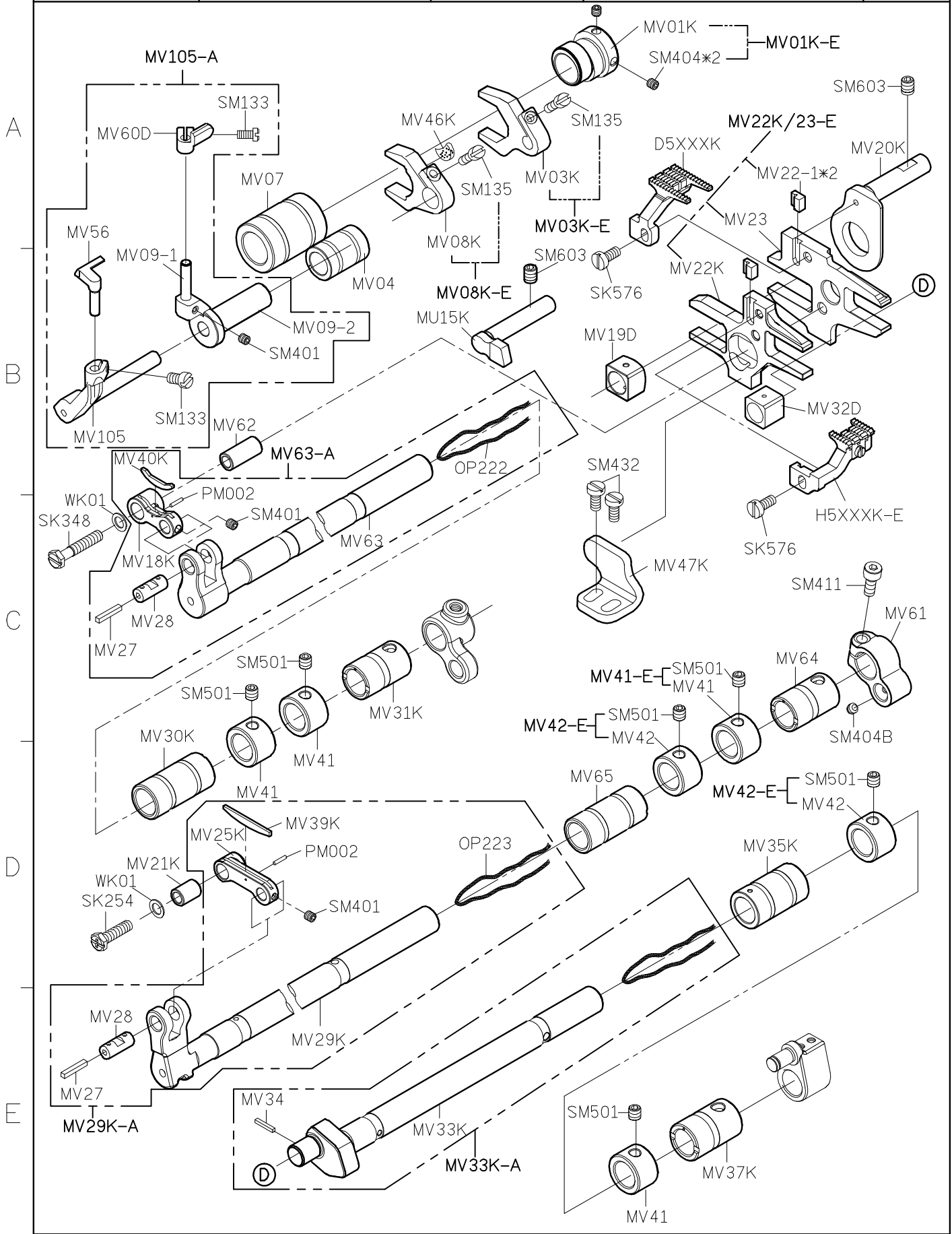
SIRUBA
PARTS LIST

Series
C007K/C007KD
C858K/C858KD

Parts Group
MV-K

Subclass / Remark

Page
1/1
Date
2012/11/01



SIRUBA

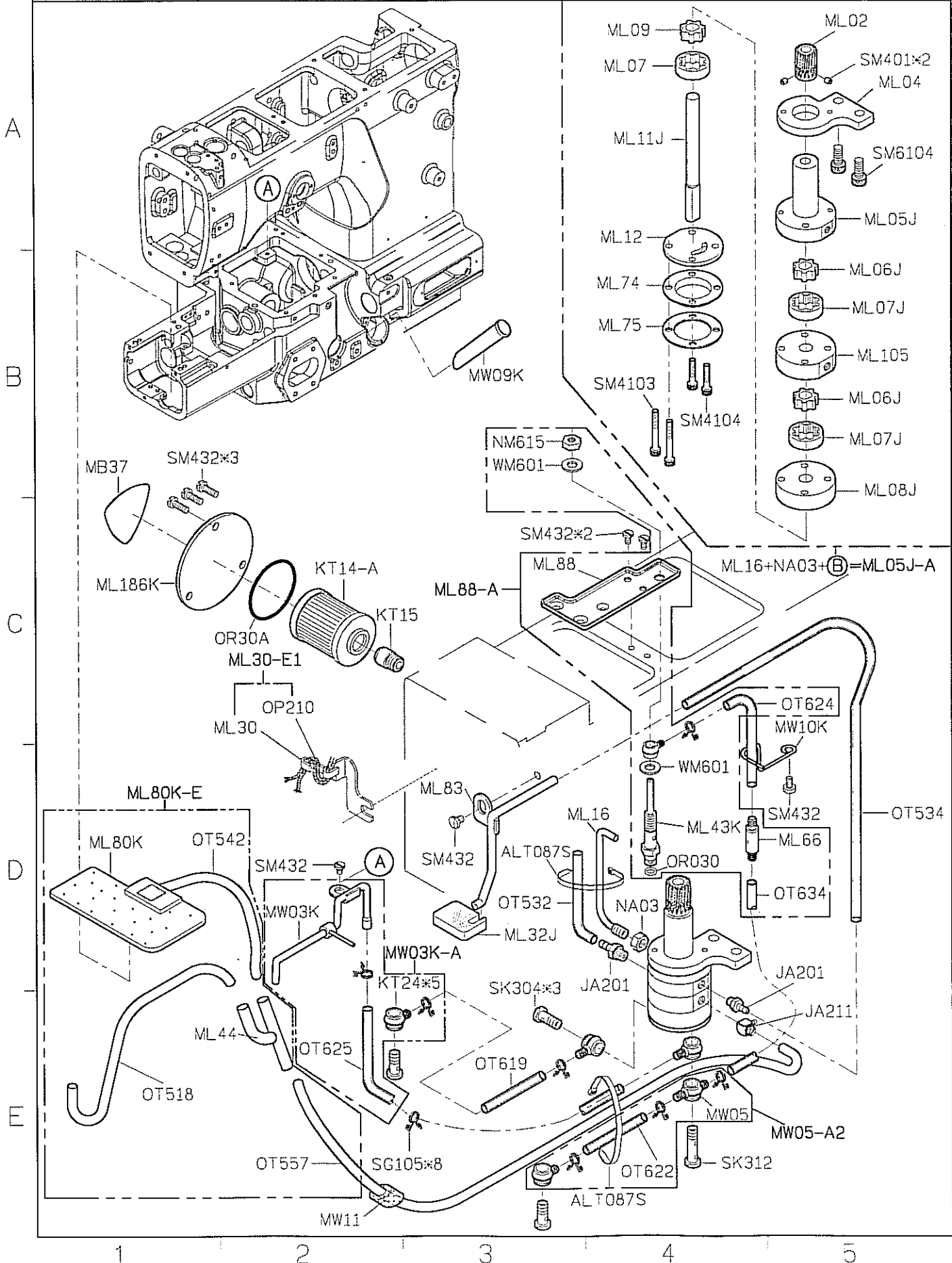
PARTS LIST

Series
C007K/C007KD
C858K/C858KD

Parts Group
MW-K

Subclass / Remark

Page
1/1
Date
2013/04/08



SIRUBA PARTS LIST	Series	Parts Group	Subclass / Remark	Page
	C007K/C007KD C858K/C858KD	MY-K	⊙ : Use for C007K/C858K □ : Use for C007KD/C858KD	1/1
				Date
				2013/10/23

A

MY01 KY03 KY04 KY05-A KY23-A KY23(6/7mm) KY09

B

MY10-A MY09 KY10 MY10 MY11 MY12 KY11 KY14 LY33-A LY33 LY34 KY18

C

KY20D-A 針*5 KY21 KY21-1 MY21 KY201 KZ03

D

KT14-A ⊙MY29K ⊙SM886-A ⊙WM800*4 ⊙WM810*4 ⊙SK391*2 ⊙SM886-A1 ⊙WM800*4 ⊙WM810*4 ⊙SK392*3

E

MY127K Instruction book (使用説明書)

MY32K Parts list (零件圖)

Parts list	
Basic mechanism	MY32K
Special mechanism	MY32K
UTP/UTQ	MY32K UT120K
Special machine type + UTP/UTQ	MY32K UT120K
UTR/UTS	MY32K UT240K
Special machine type + UTR/UTS	MY32K UT240K

1

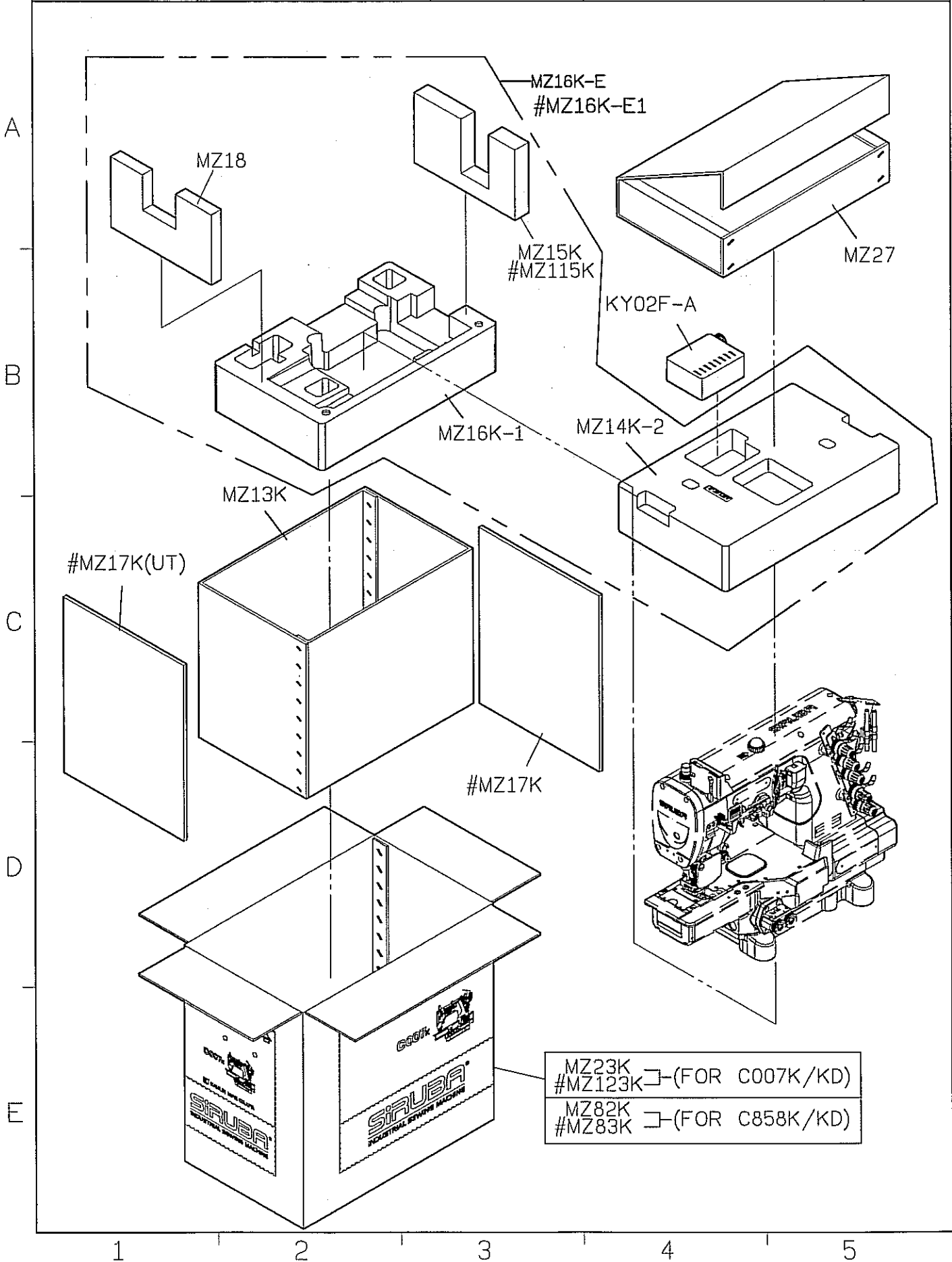
2

3

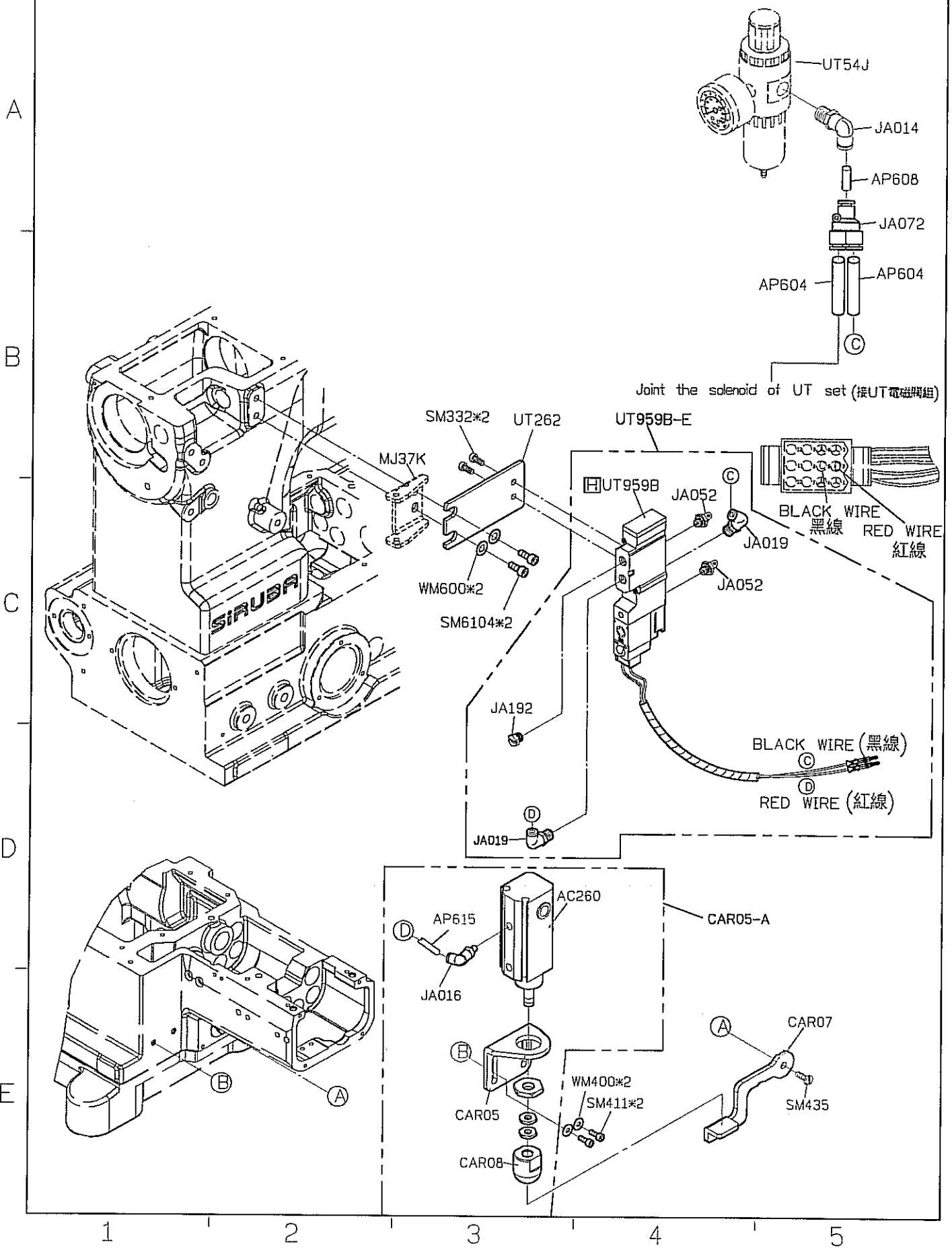
4

5

SIRUBA PARTS LIST	Series	Parts Group	Subclass / Remark	Page
	C007K/C007KD	MZ-K	#: Use for C007KD/C858KD	1/1
	C858K/C858KD			Date
				2013/03/14



SIRUBA PARTS LIST	Series C007K/C007KD C858K/C858KD	Parts Group CAR	Subclass Remark For C007K/KD/C858K/KD add SAR to the type UT ☒ : Use for H brand motor (HVP-20)	Page 1/2 Date 2013/03/28
----------------------	--	---------------------------	---	-----------------------------------



SIRUBA
PARTS LIST

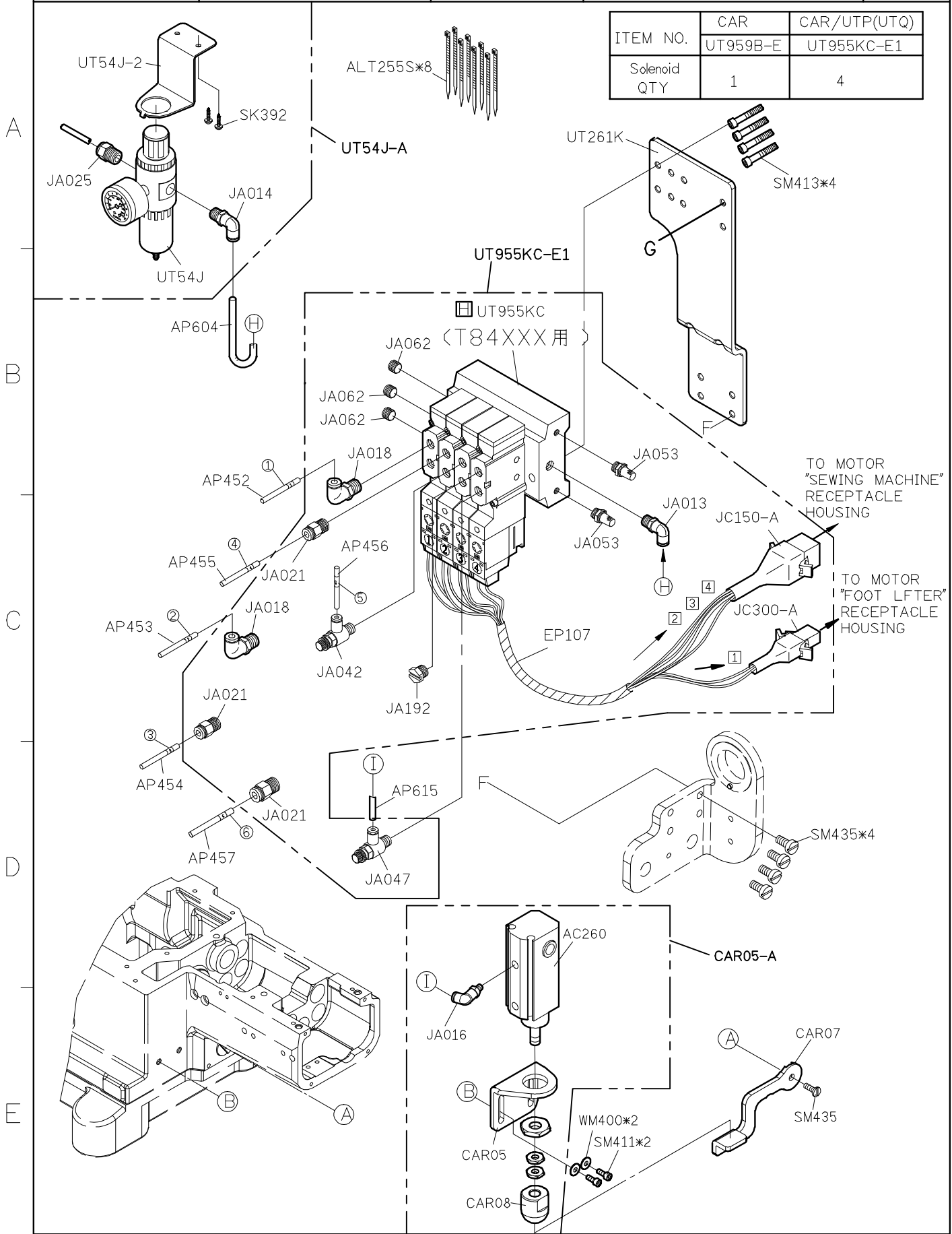
Series
C007K/C007KD
C858K/C858KD

Parts Group
CAR

Subclass Remark
For C007K/KD/C858K/KD-UT
☐ : Use for H brand motor
(HVP-20)

Page
2/2
Date
2012/11/01

ITEM NO.	CAR	CAR/UTP(UTQ)
	UT959B-E	UT955KC-E1
Solenoid QTY	1	4



1

2

3

4

5

SIRUBA PARTS LIST	Series	Parts Group	Subclass / Remark	Page
	C007K/C007KD	CC-K		1/1
	C858K/C858KD			Date
				2012/11/01

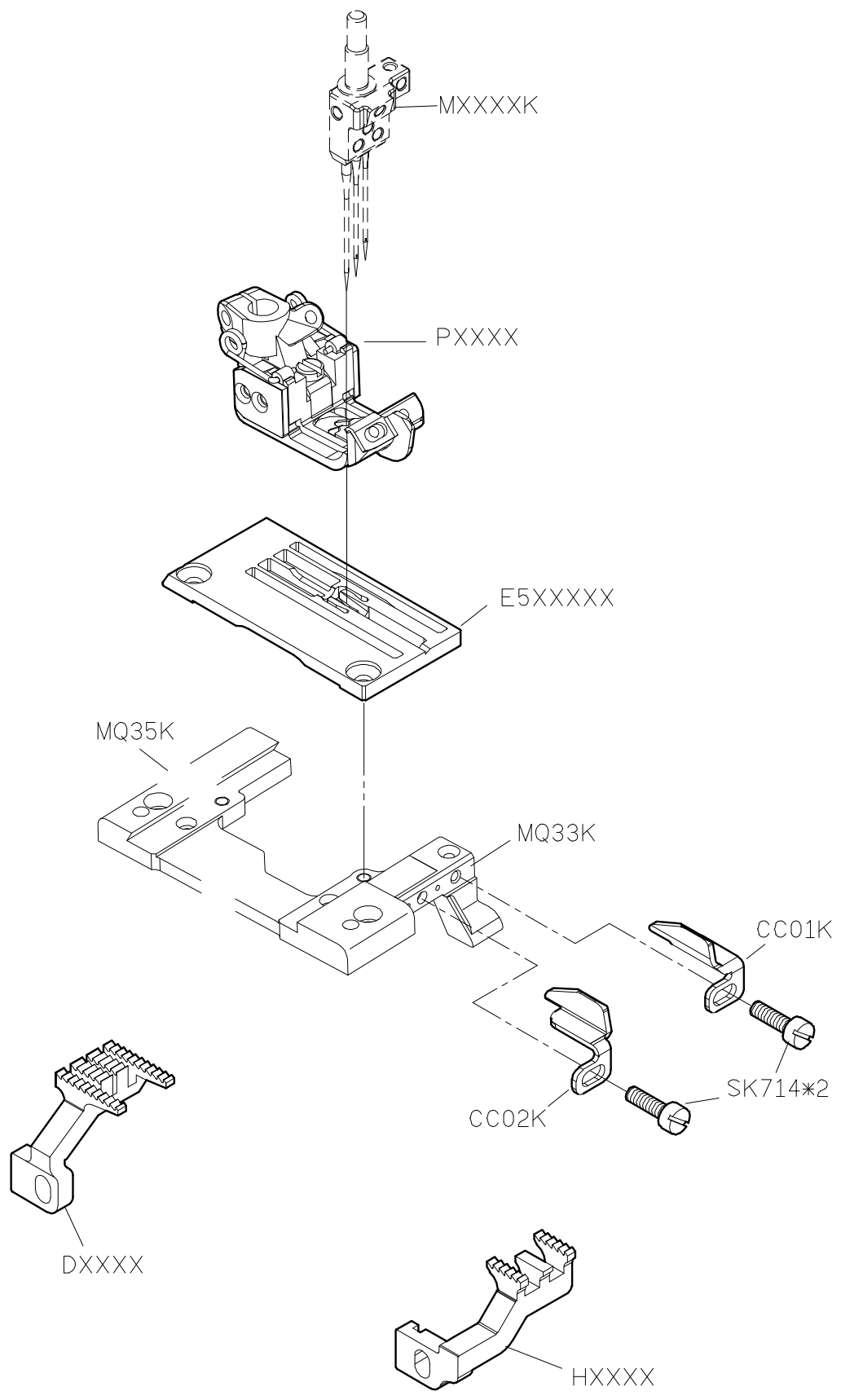
A

B

C

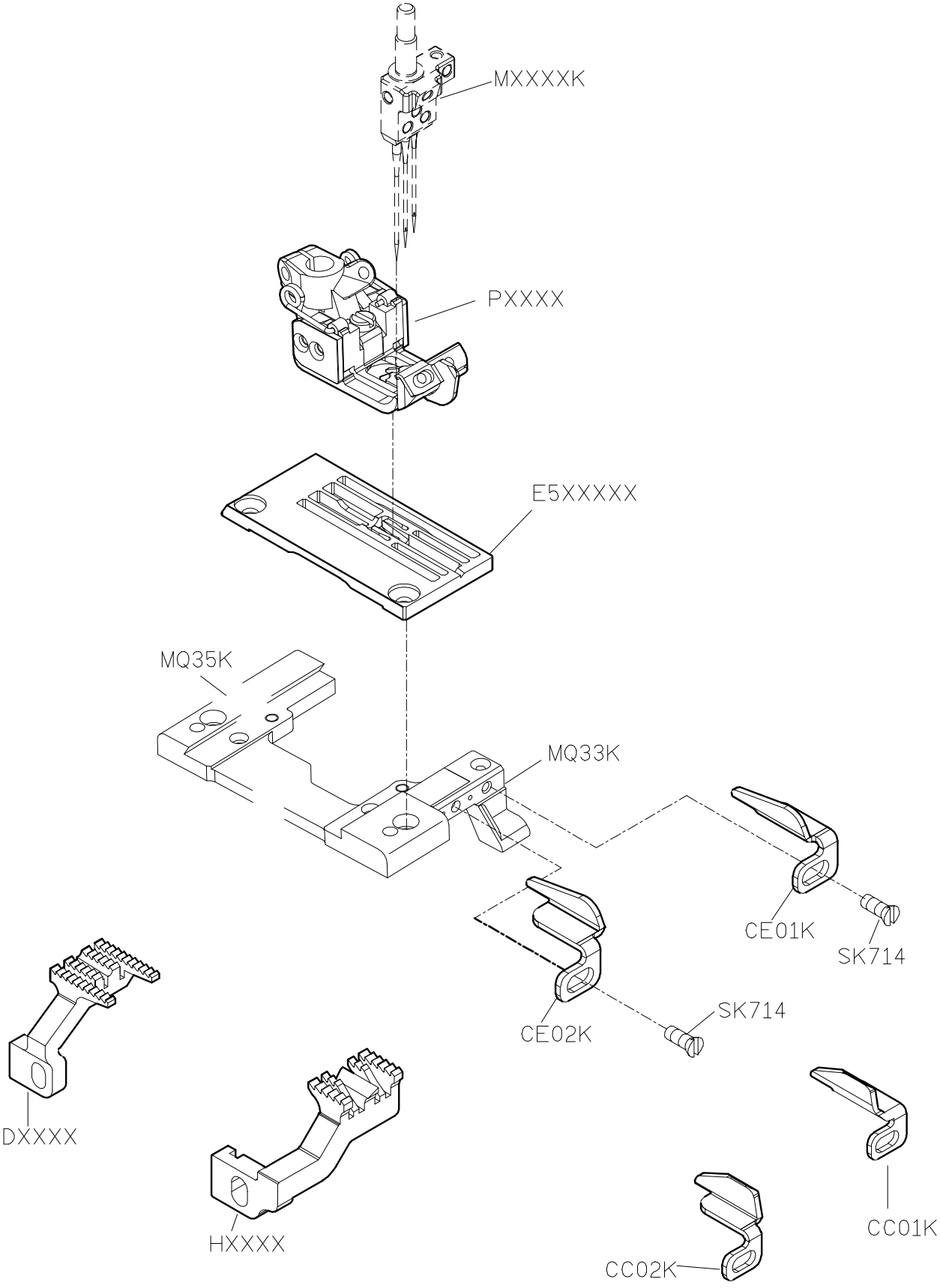
D

E



SIRUBA PARTS LIST	Series	Parts Group	Subclass / Remark	Page
	C007K/C007KD	CE-K		1/1
	C858K/C858KD			Date
				2012/11/01

A
B
C
D
E



1 2 3 4 5

SIRUBA
PARTS LIST

Series
C007K/C007KD
C858K/C858KD

Parts Group
CFC-K

Subclass / Remark
For C007K/C858K

Page
1/4
Date
2012/11/01

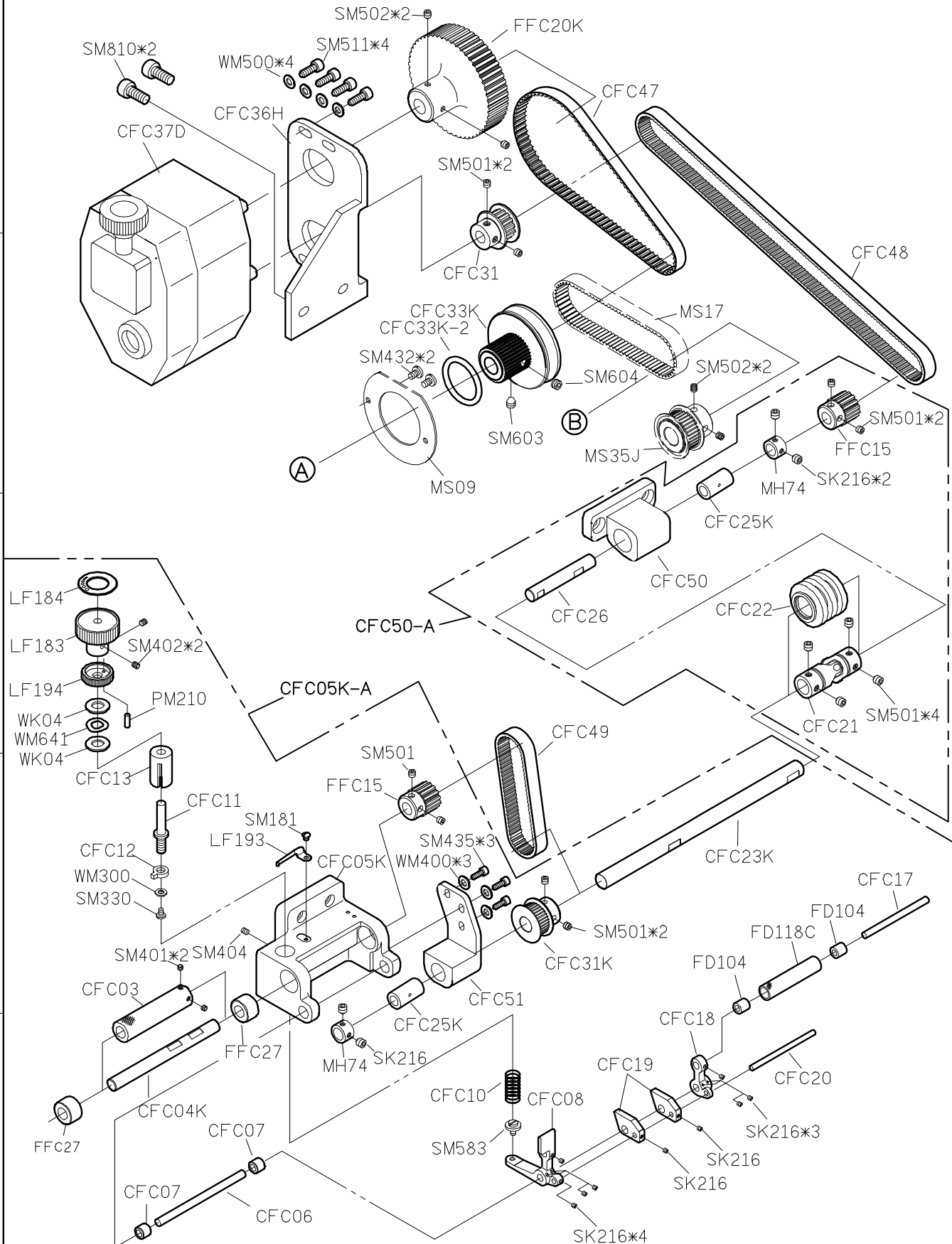
A

B

C

D

E



1

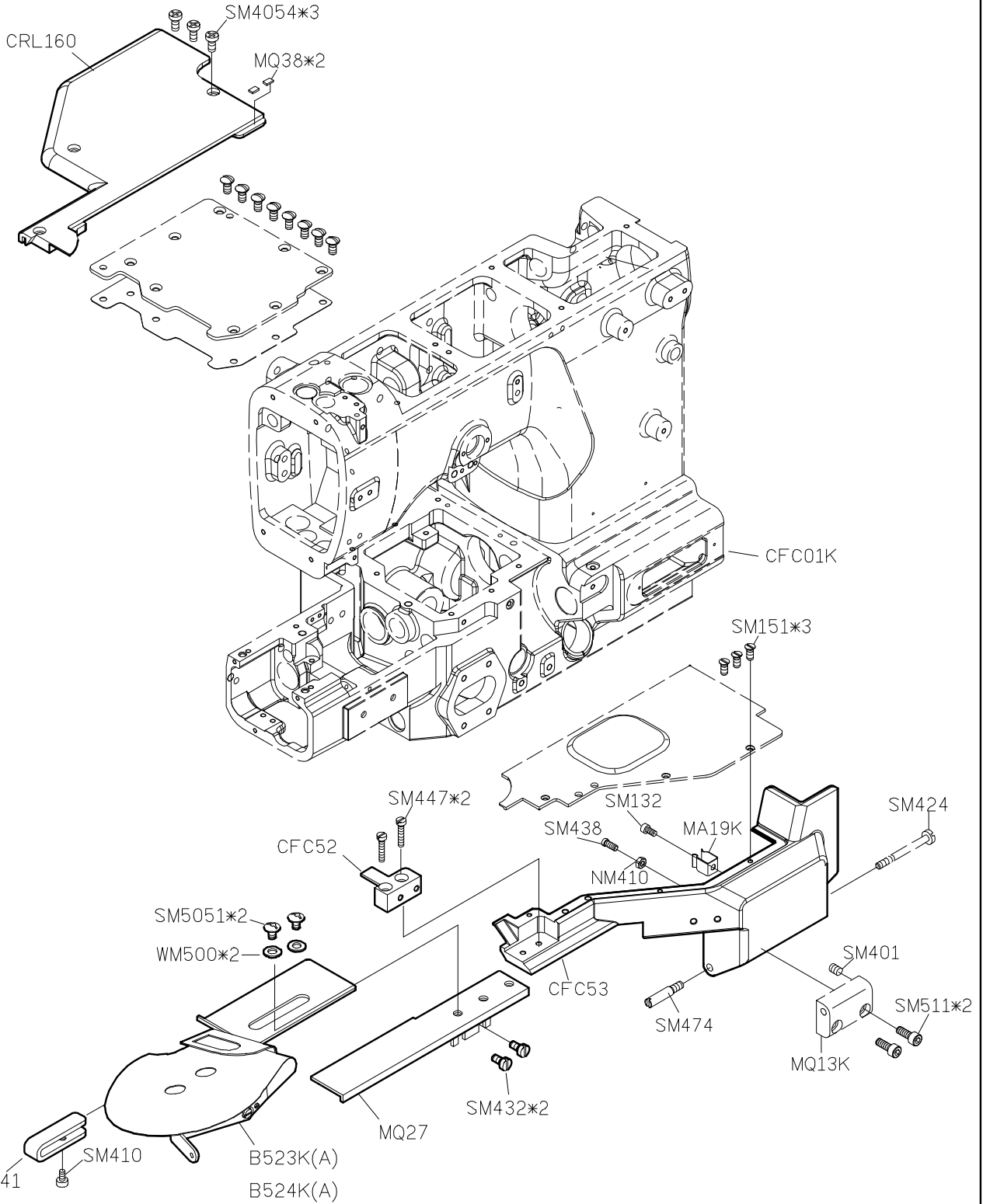
2

3

4

5

SIRUBA PARTS LIST	Series	Parts Group	Subclass / Remark	Page
	C007K/C007KD C858K/C858KD	CFC-K	For C007K/C858K	2/4
				Date
				2012/11/01



1

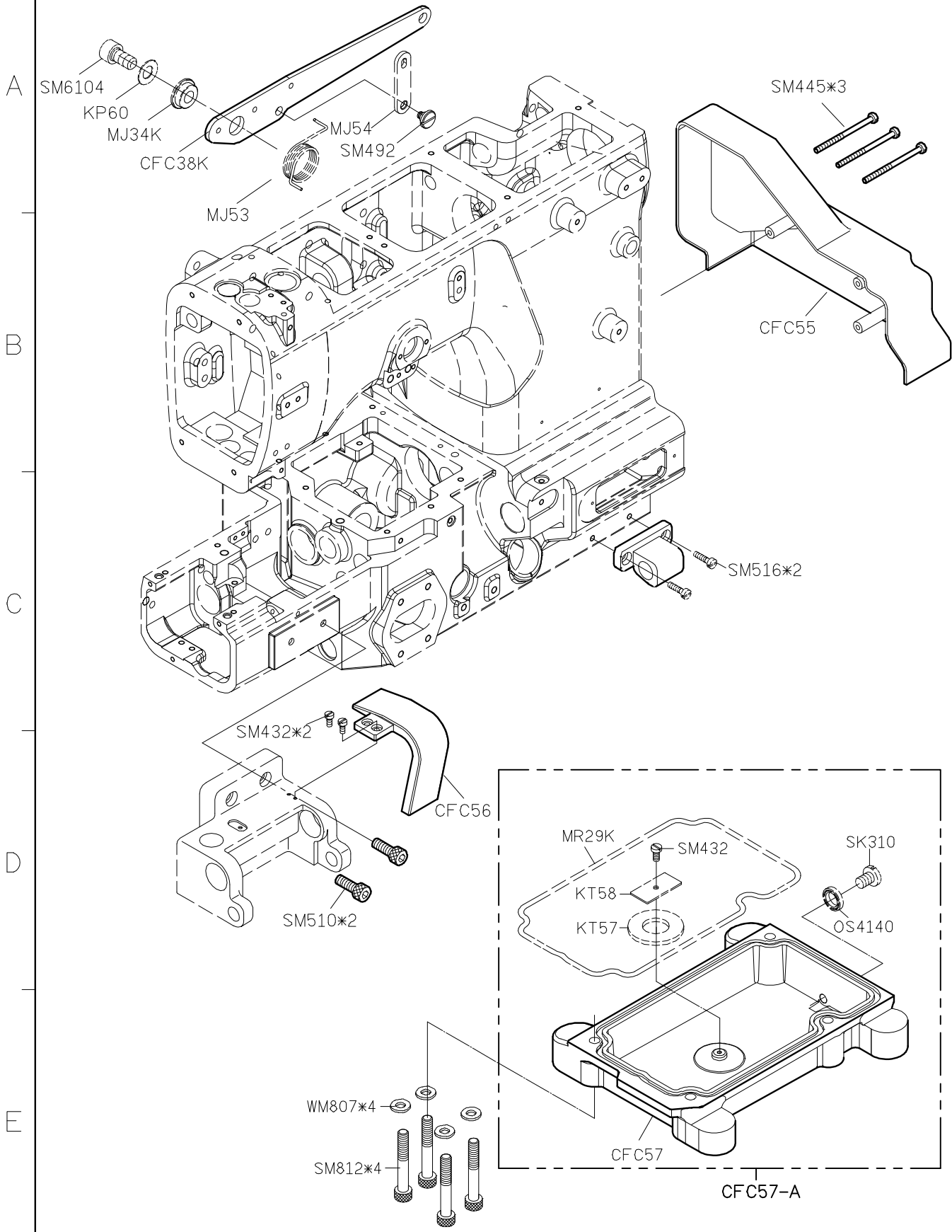
2

3

4

5

SIRUBA PARTS LIST	Series	Parts Group	Subclass / Remark	Page
	C007K/C007KD	CFC-K	For C007K/C858K	3/4
	C858K/C858KD			Date
	2012/11/01			



1

2

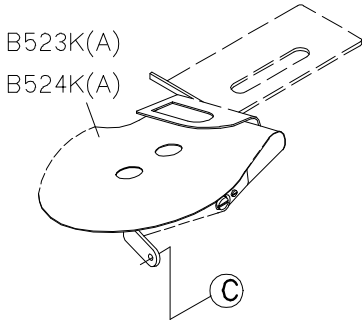
3

4

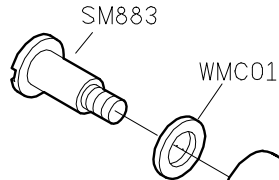
5

SIRUBA PARTS LIST	Series	Parts Group	Subclass / Remark	Page
	C007K/C007KD	CFC-K	For C007K/C858K	4/4
	C858K/C858KD			Date
	2012/11/01			

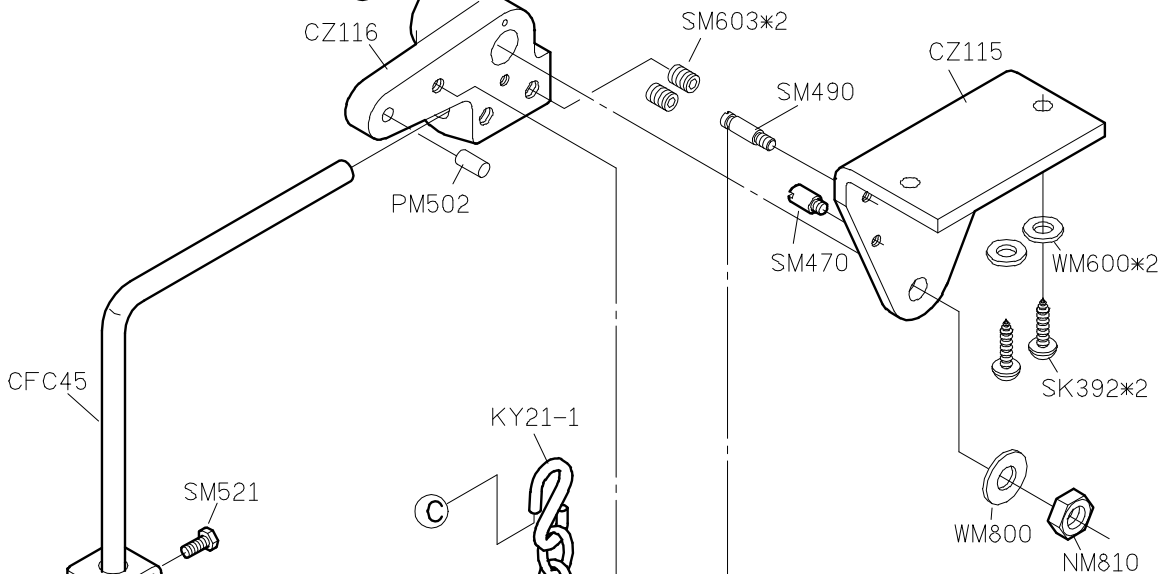
A



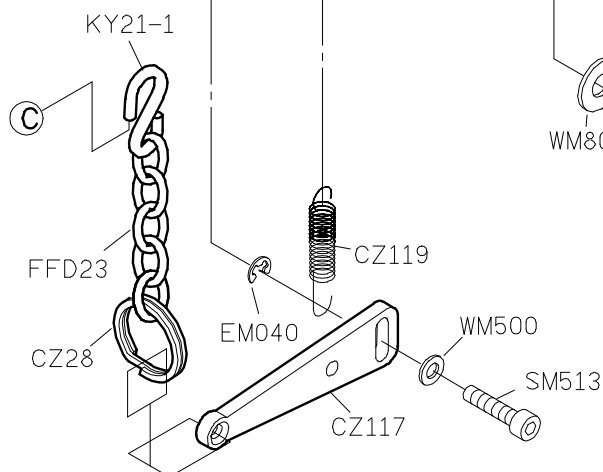
B



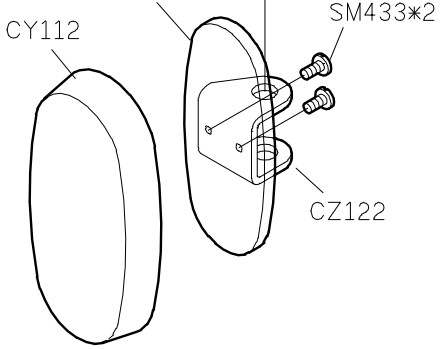
C



D



E



1

2

3

4

5

SIRUBA

PARTS LIST

Series

C007K/C007KD
C858K/C858KD

Parts Group

CH-K

Subclass / Remark

Page

1/1

Date

2013/12/12

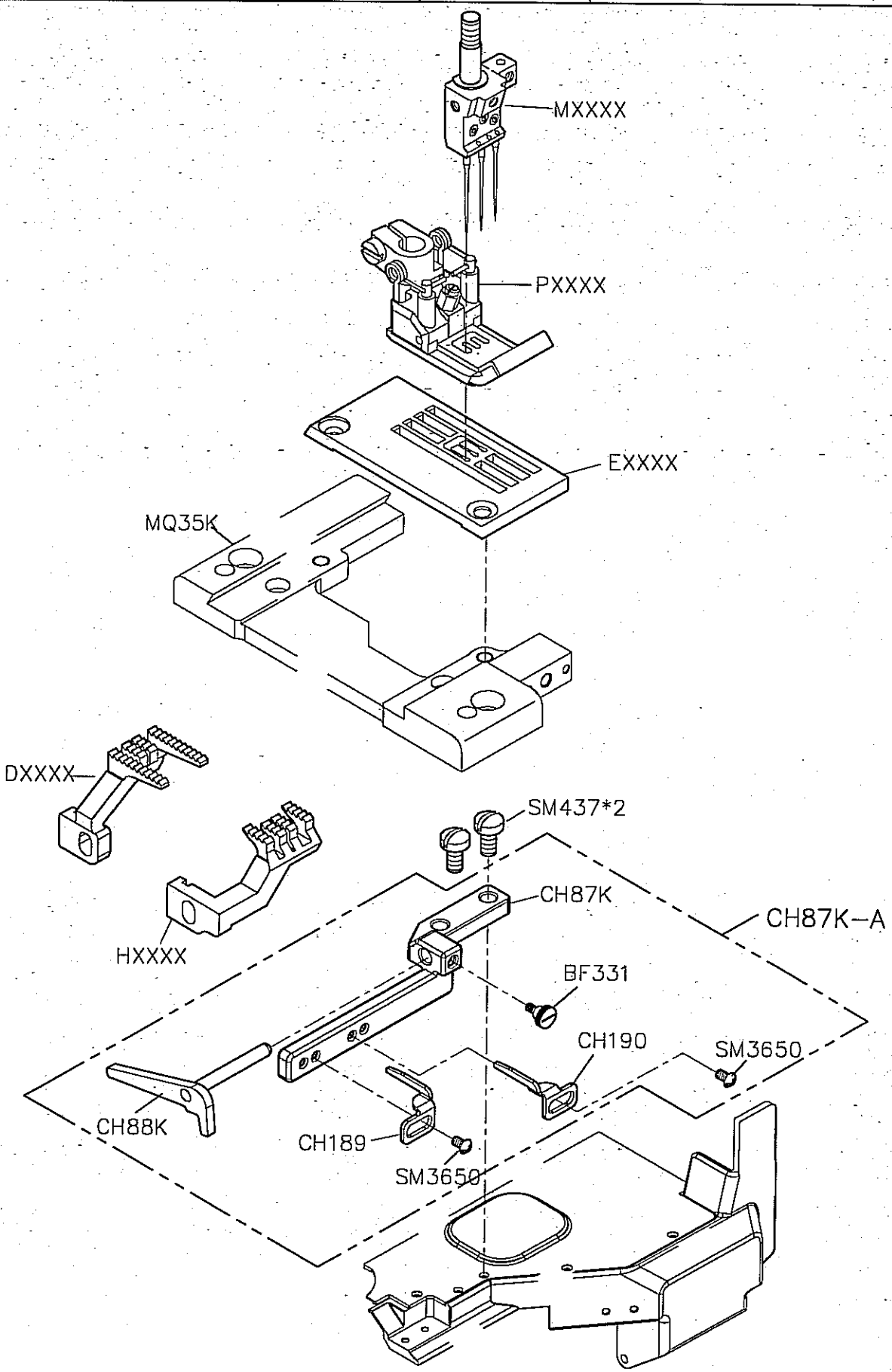
A

B

C

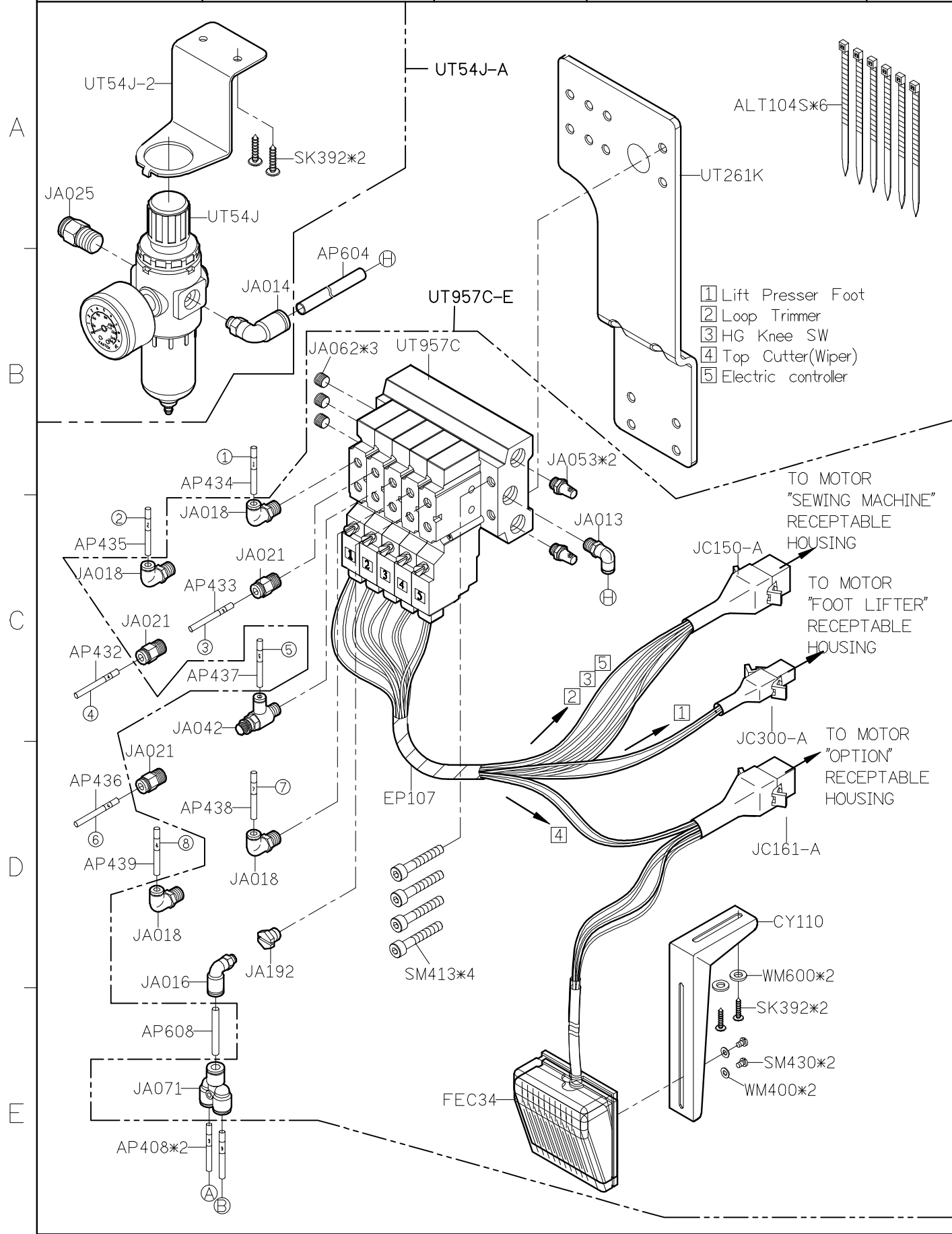
D

E



1 2 3 4 5

SIRUBA PARTS LIST	Series	Parts Group	Subclass / Remark	Page
	C007K/C007KD	CHK-K		2/2
	C858K/C858KD			Date
				2012/11/01



- 1 Lift Presser Foot
- 2 Loop Trimmer
- 3 HG Knee SW
- 4 Top Cutter(Wiper)
- 5 Electric controller

TO MOTOR
"SEWING MACHINE"
RECEPTABLE
HOUSING

TO MOTOR
"FOOT LIFTER"
RECEPTABLE
HOUSING

TO MOTOR
"OPTION"
RECEPTABLE
HOUSING

SRUBA

PARTS LIST

Series

C007K/C007KD
C858K/C858KD

Parts Group

CHP(CY)
/UTP-K

Subclass / Remark

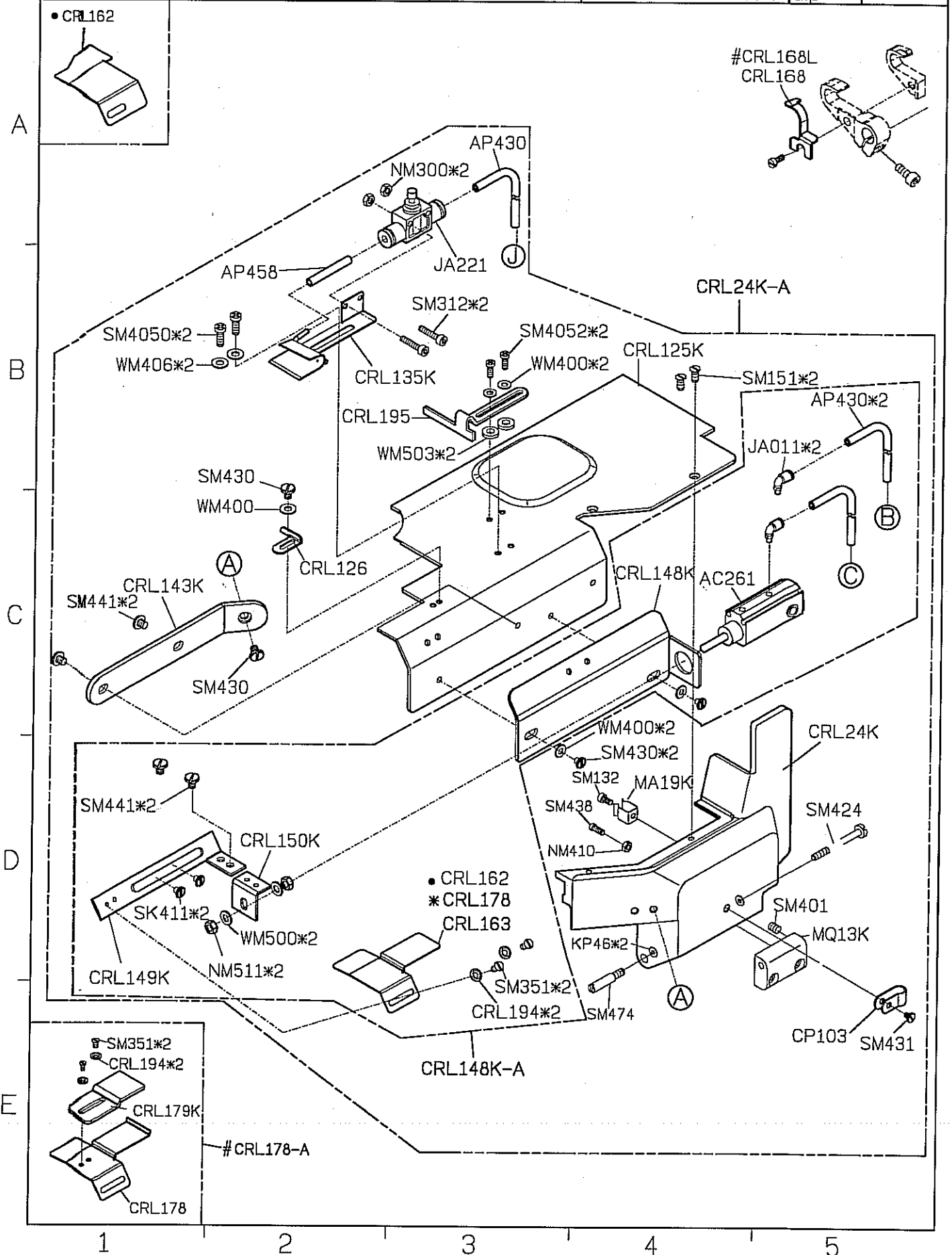
Note: Type CHP is collocated
with UTP
● : Use for general machine
to re-equip
#: Use for CY to re-equip

Page

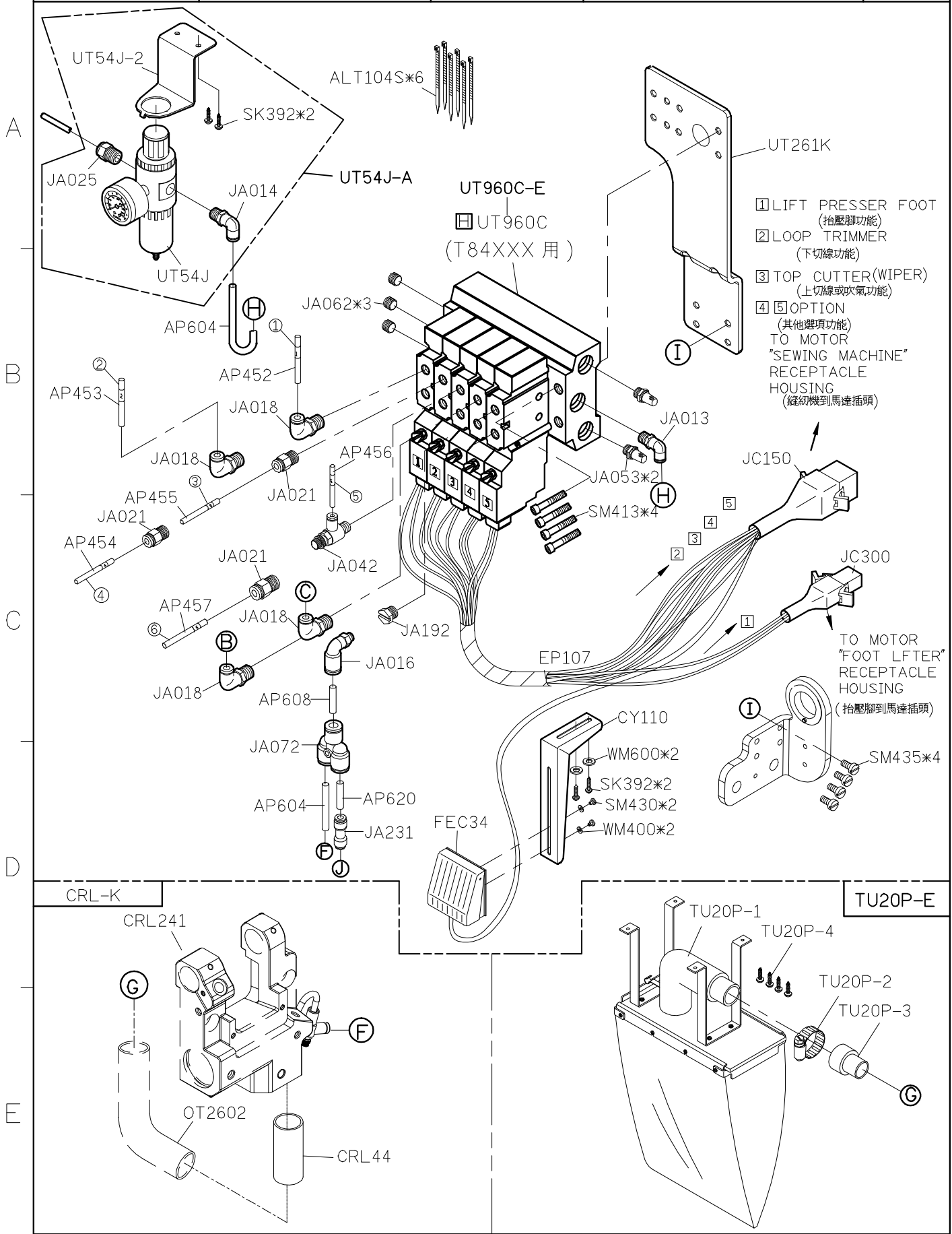
1/2

Date

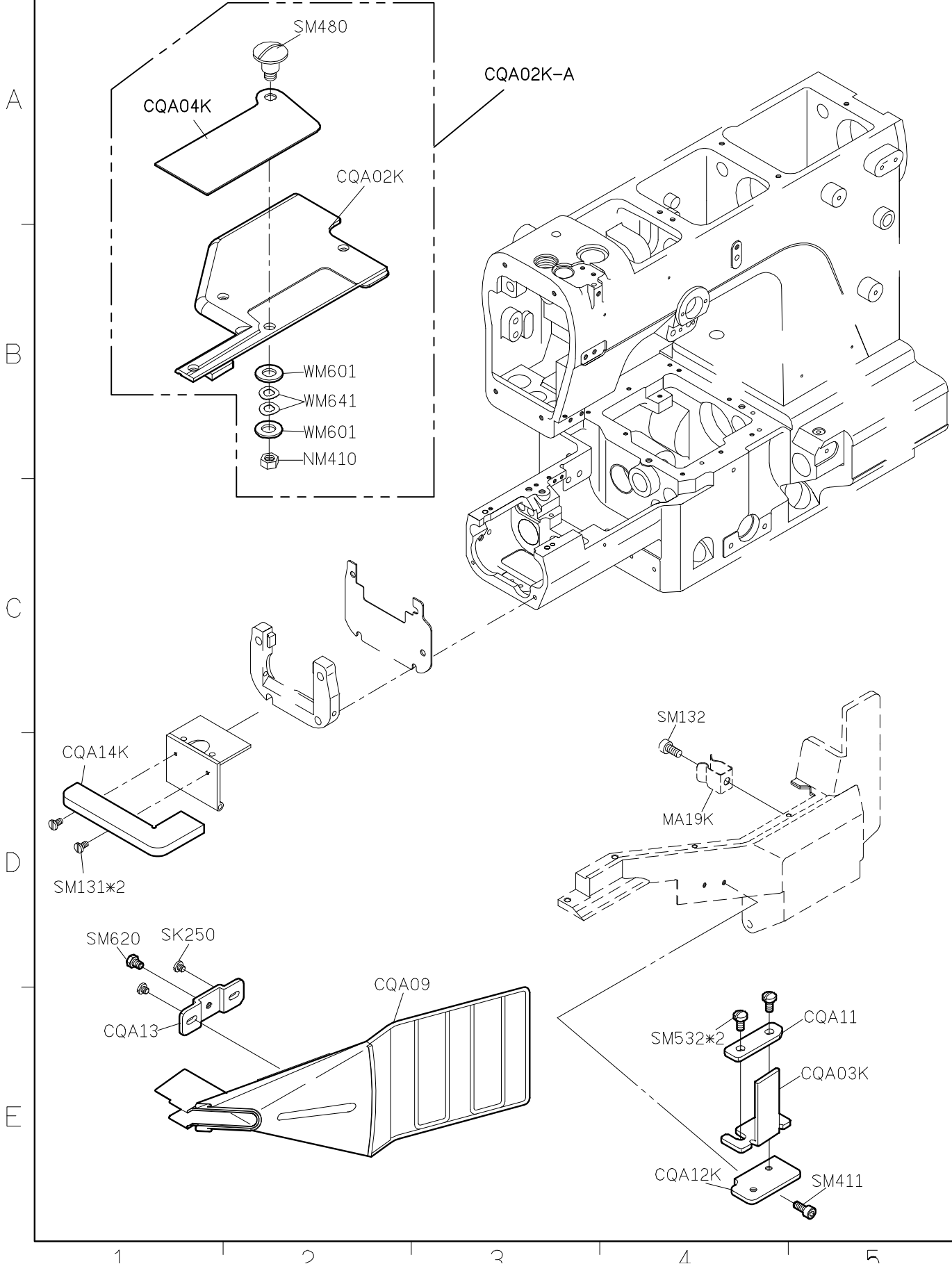
2014/01/09



SIRUBA PARTS LIST	Series	Parts Group	Subclass / Remark	Page
	C007K/C007KD C858K/C858KD	CHP(CY) /UTP-K	☐ : Use for H brand motor (HVP-20)	2/2
				Date 2013/01/05



SIRUBA PARTS LIST	Series	Parts Group	Subclass / Remark	Page
	C007K/C007KD	CQA-K		1/2
	C858K/C858KD			Date
			2012/11/01	



1

2

3

4

5

SIRUBA PARTS LIST	Series	Parts Group	Subclass / Remark	Page
	C007K/C007KD	CQA-K		2/2
	C858K/C858KD			Date
				2012/11/01

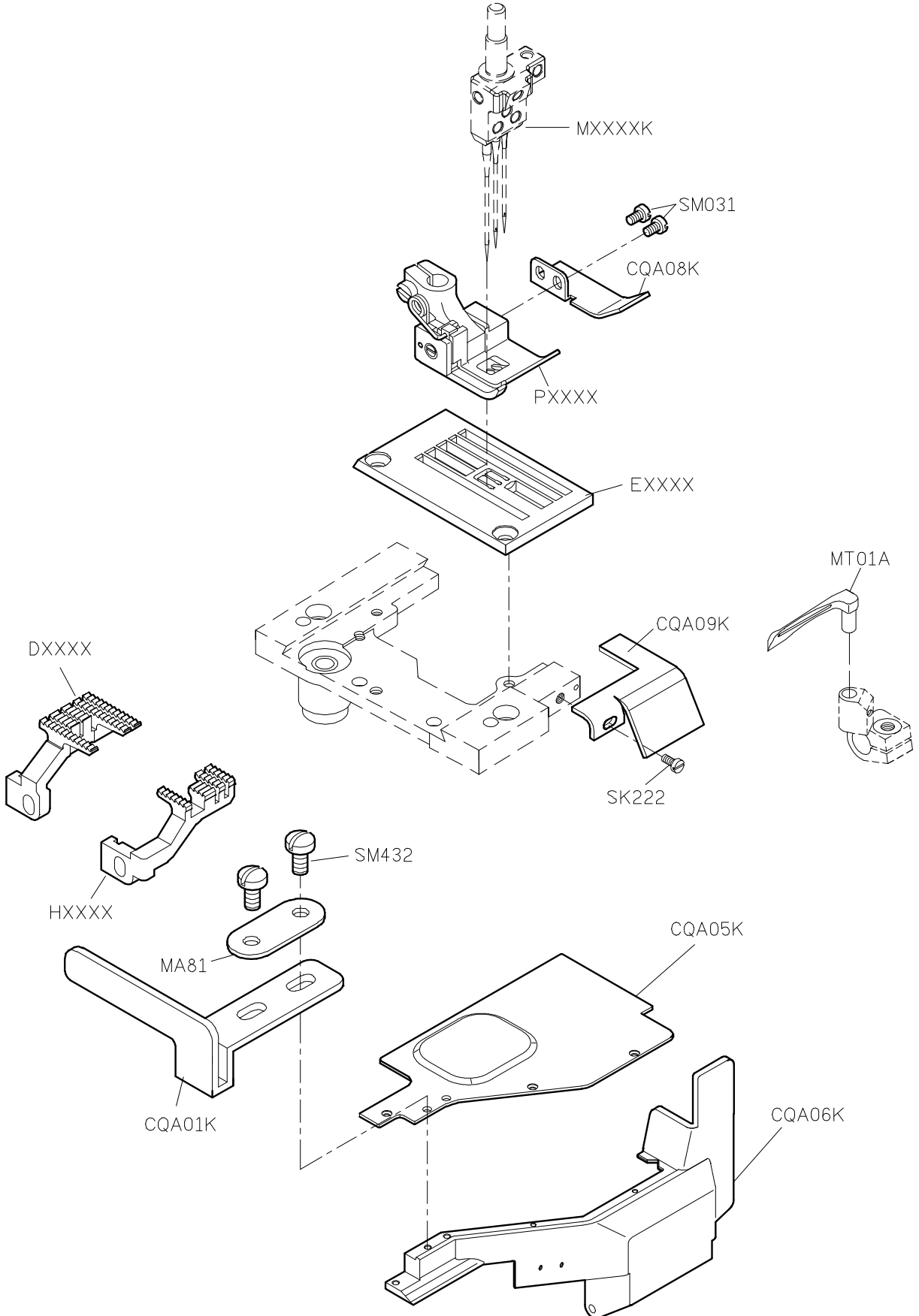
A

B

C

D

E



1

2

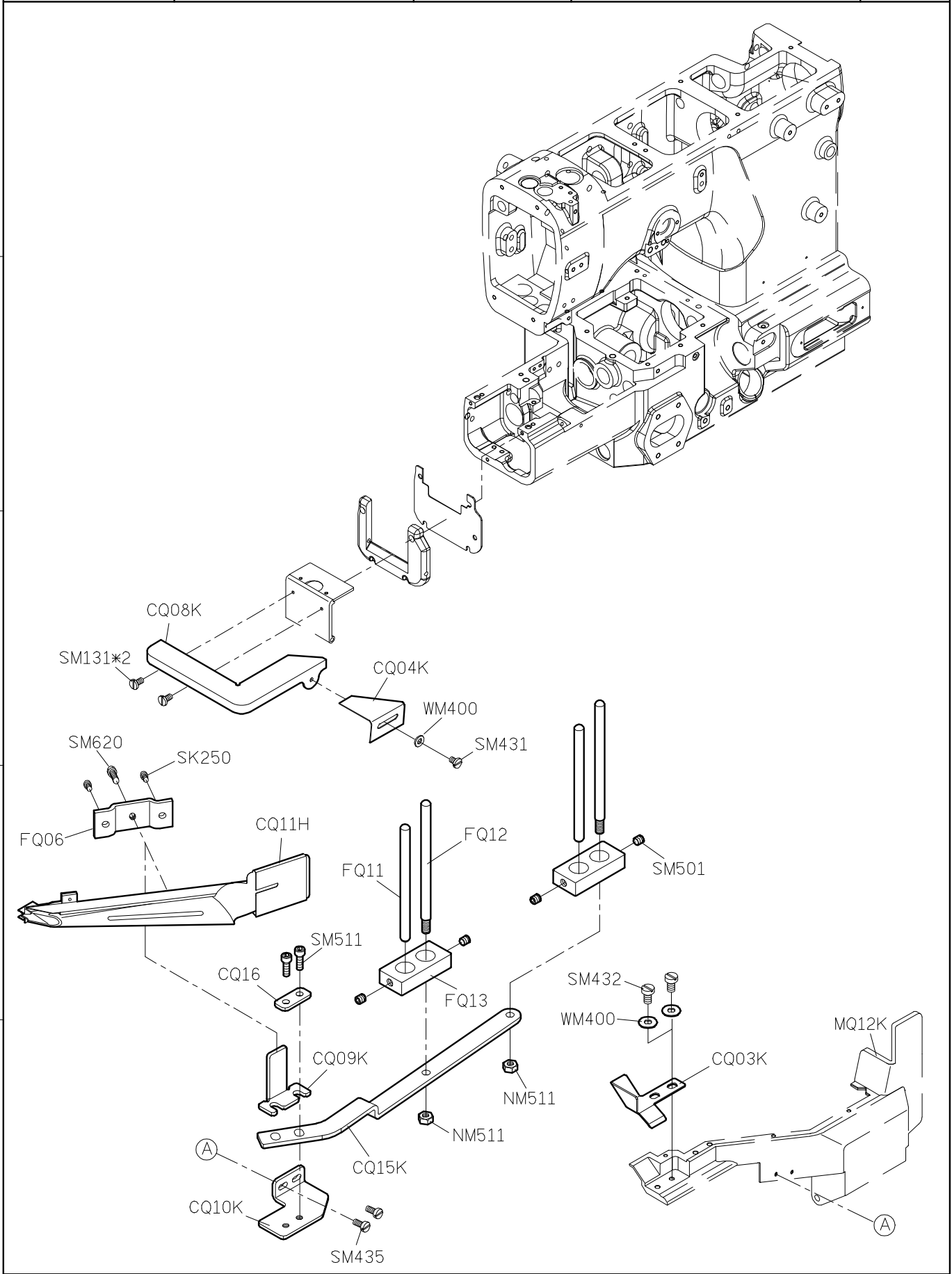
3

4

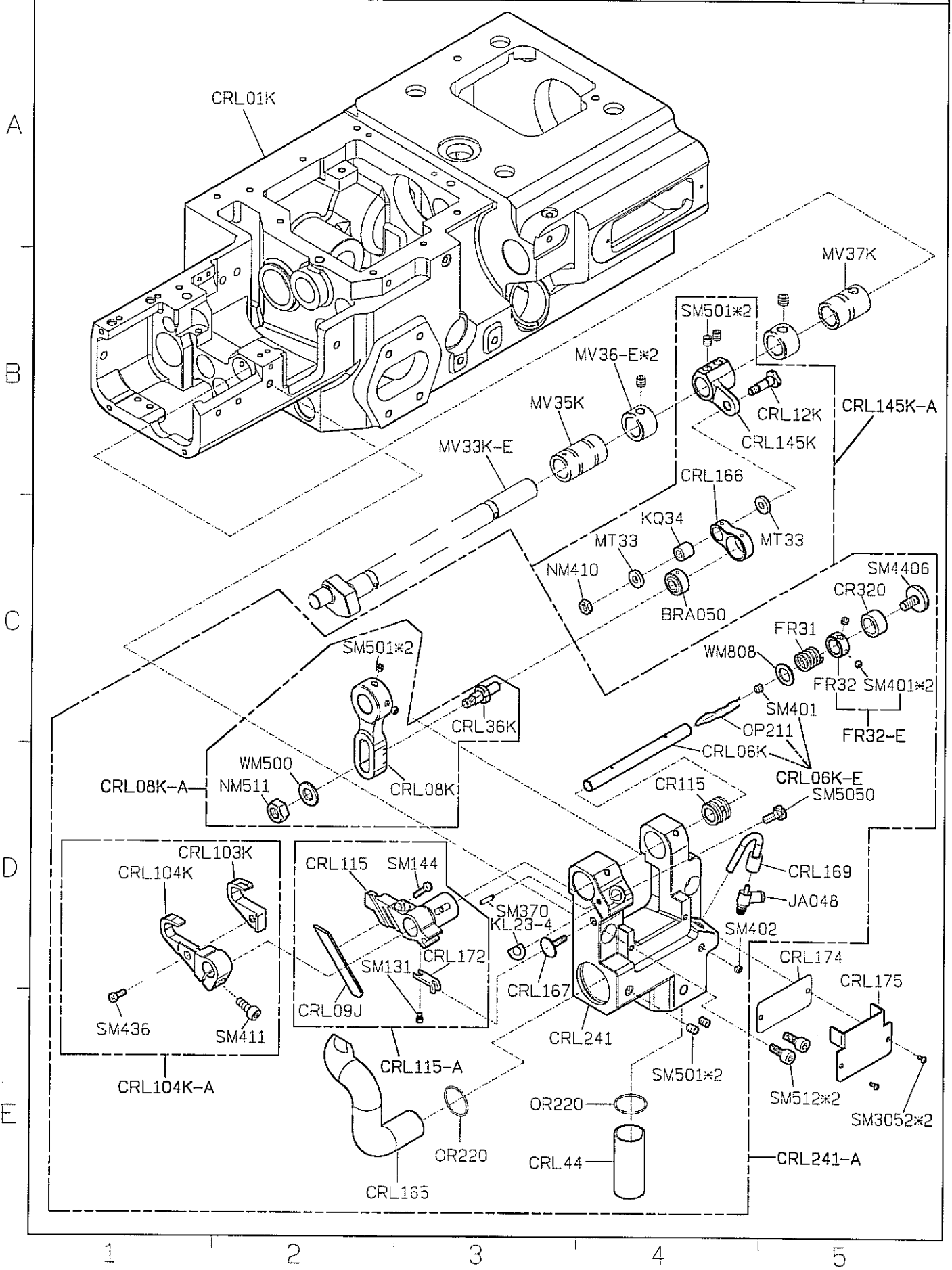
5

SIRUBA PARTS LIST	Series	Parts Group	Subclass / Remark	Page
	C007K/C007KD	CQ-K		1/1
	C858K/C858KD			Date
				2012/11/01

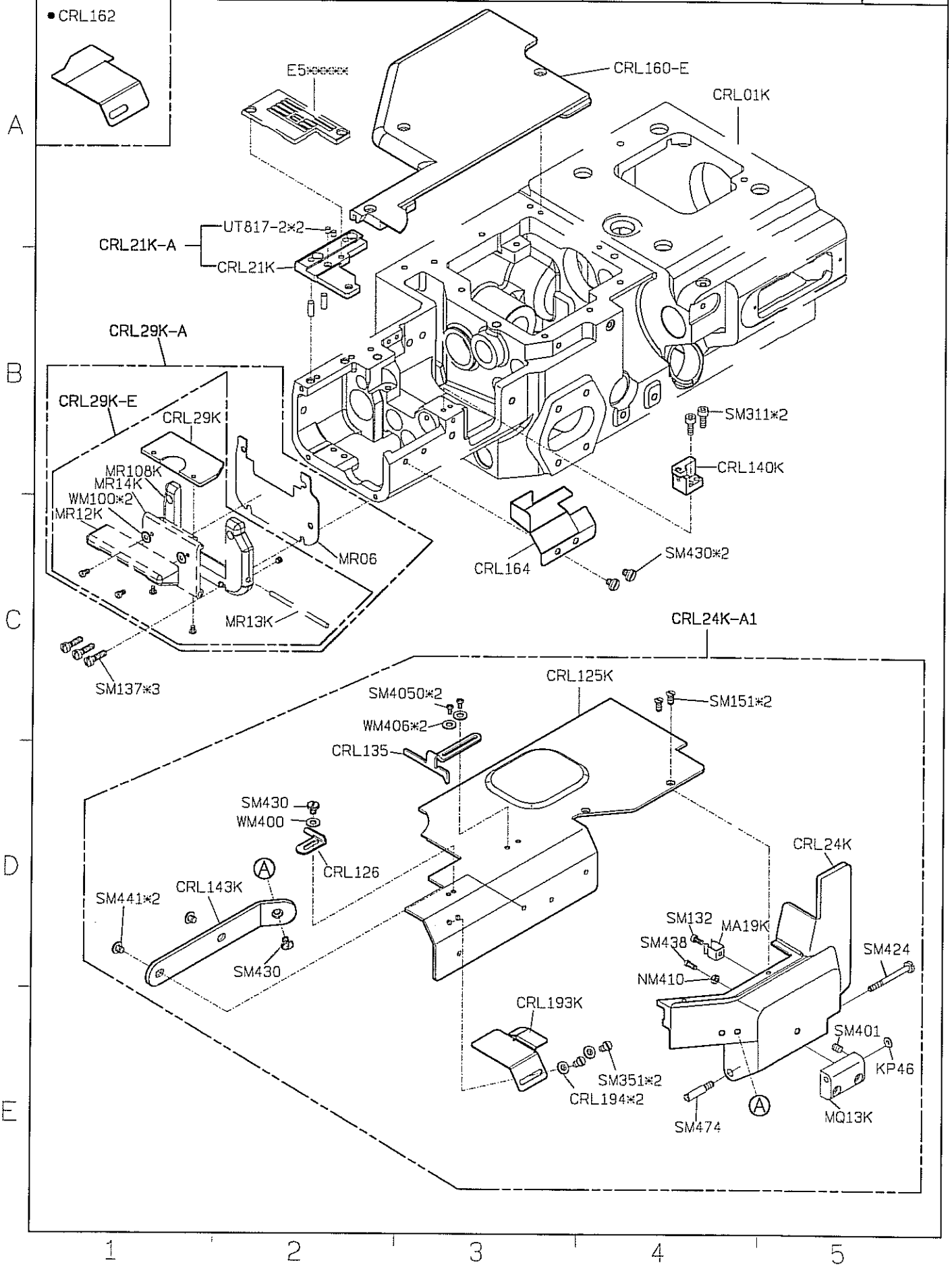
A
B
C
D
E



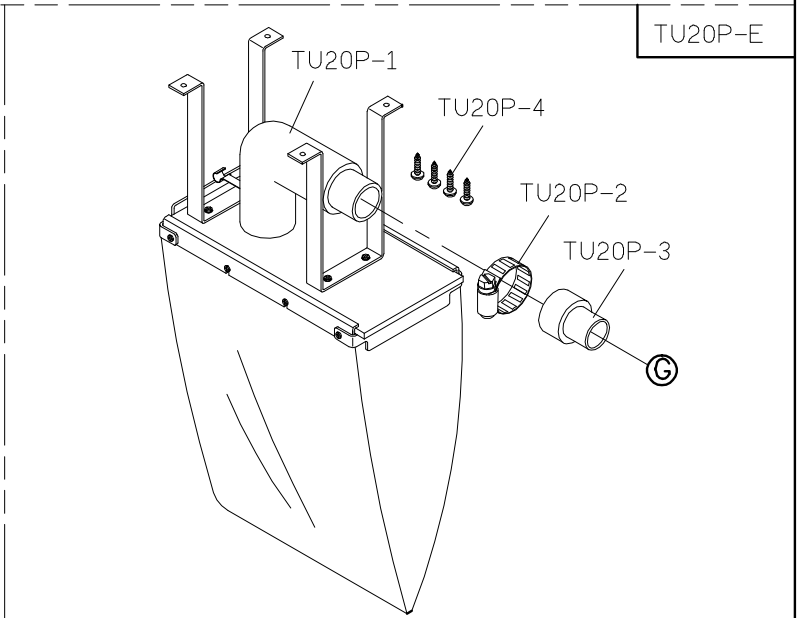
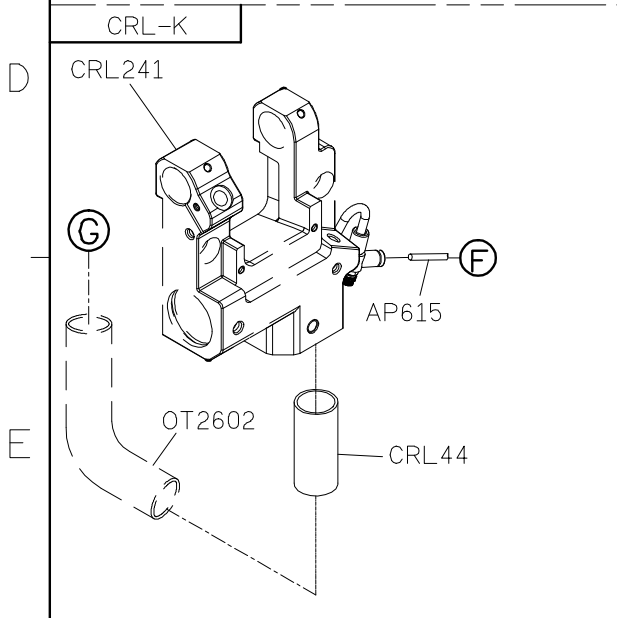
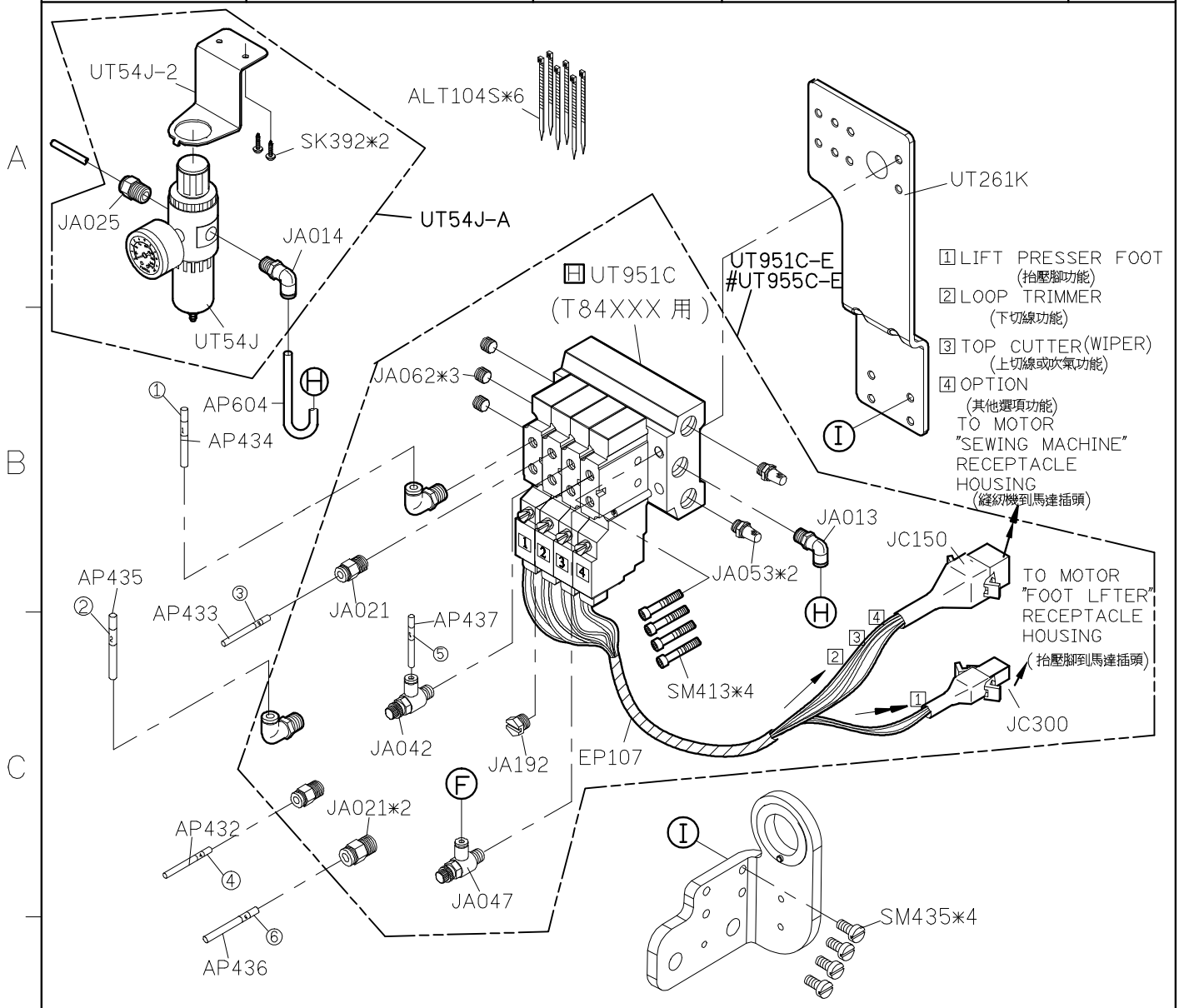
SIRUBA PARTS LIST	Series	Parts Group	Subclass / Remark	Page
	C007K/C007KD	CRL-K	#: Use for attached in the accessory case of thin fabric	1/4
	C858K/C858KD			Date
				2013/05/13



SIRUBA PARTS LIST	Series	Parts Group	Subclass / Remark	Page
	C007K/C007KD	CRL-K	• Use for general machine to re-equip	2/4
	C858K/C858KD			Date
				2013/05/13



SIRUBA PARTS LIST	Series	Parts Group	Subclass / Remark	Page
	C007K/C007KD C858K/C858KD	CRL-K	☐ : Use for H brand motor (HVP-20)	4/4
			‡ : Use for C007KD/858KD-CRL	Date
				2012/11/01



SIRUBA

PARTS LIST

Series

C007K/C007KD
C858K/C858KD

Parts Group

CR-K

Subclass / Remark

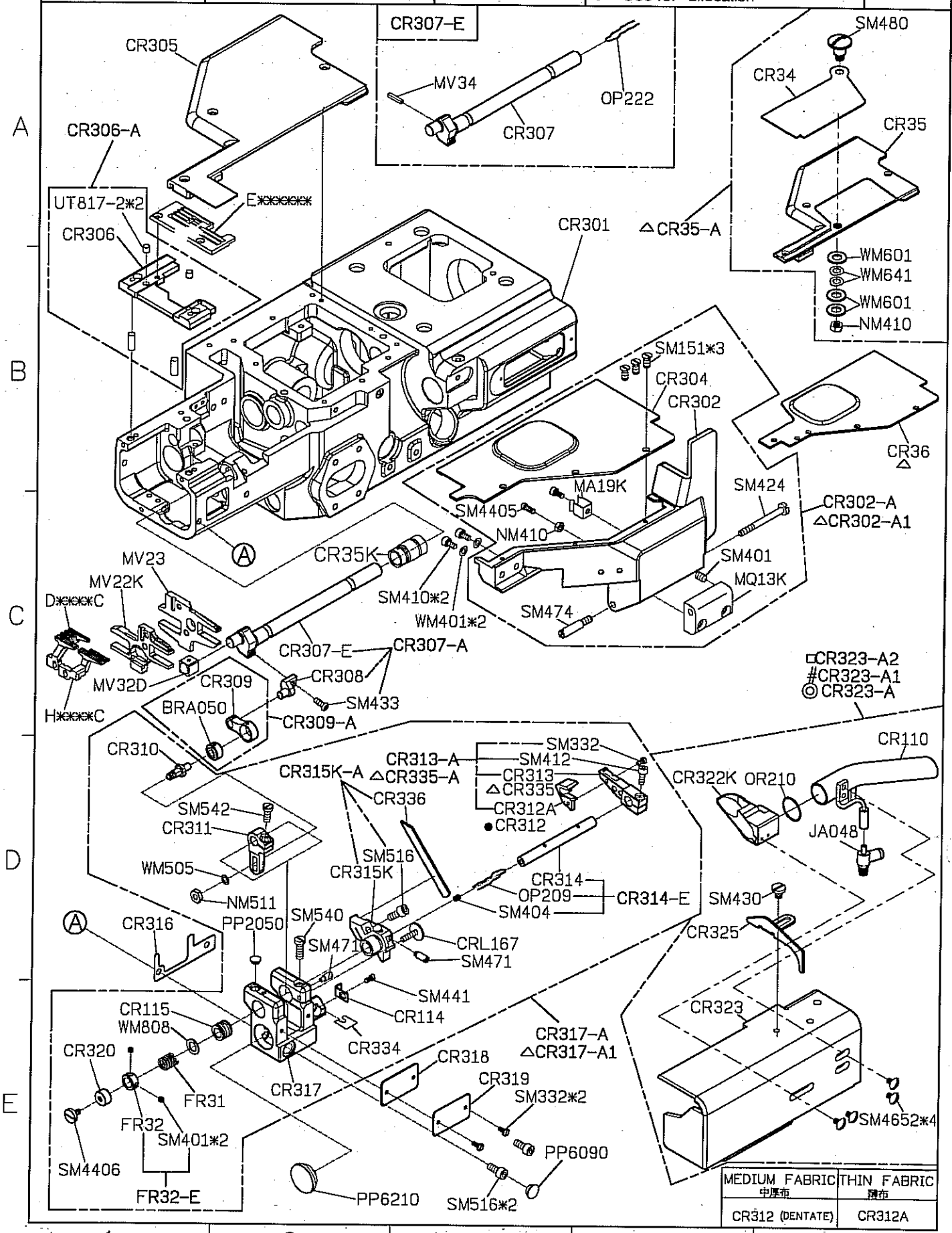
- : Use for Basic CR
- # : Use for CX
- ◎ : Use for CR/CX
- △ : Use for attach FFC
- : Use for allocation

Page

1/3

Date

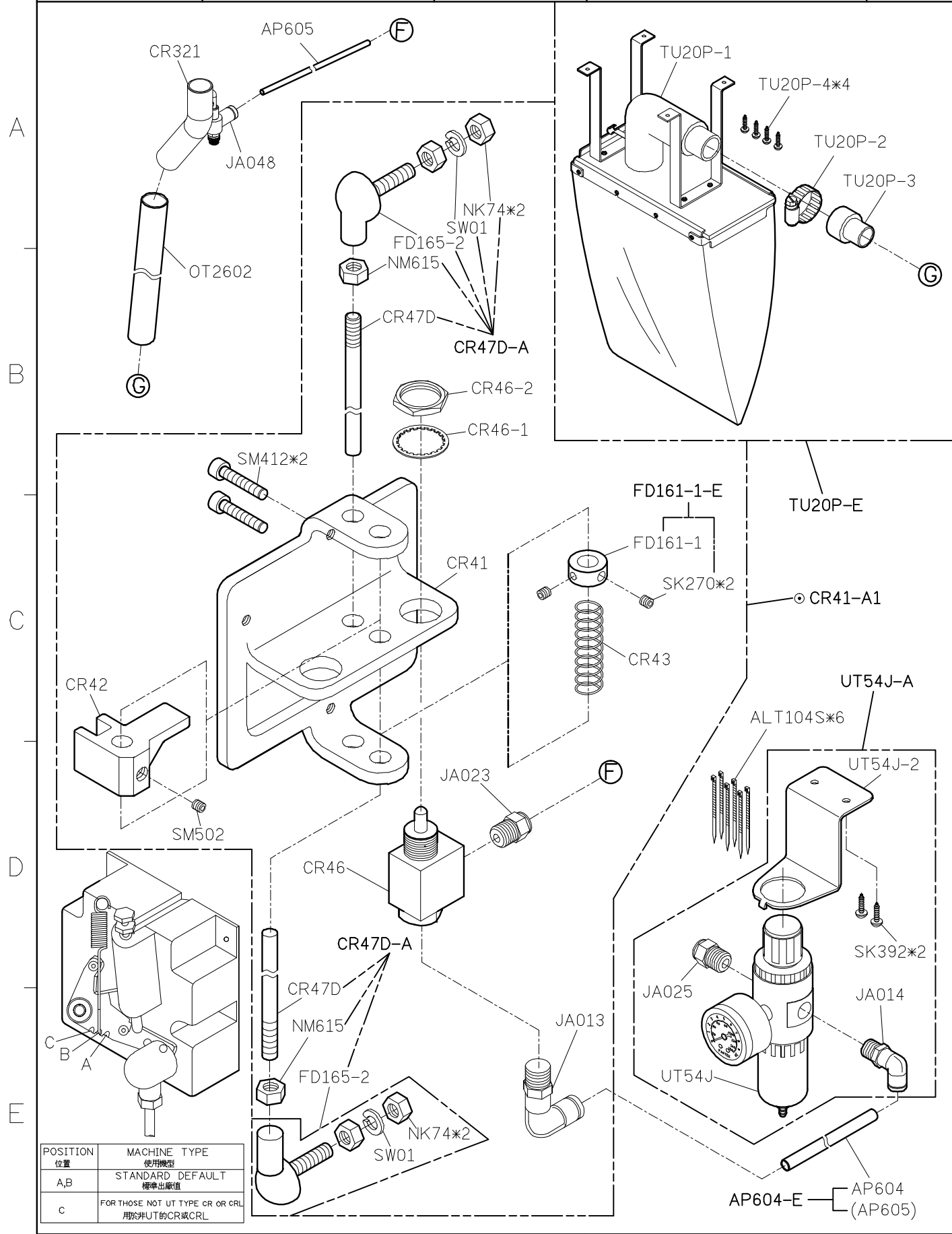
2014/02/22



MEDIUM FABRIC 中厚布	THIN FABRIC 薄布
CR312 (DENTATE)	CR312A

1 2 3 4 5

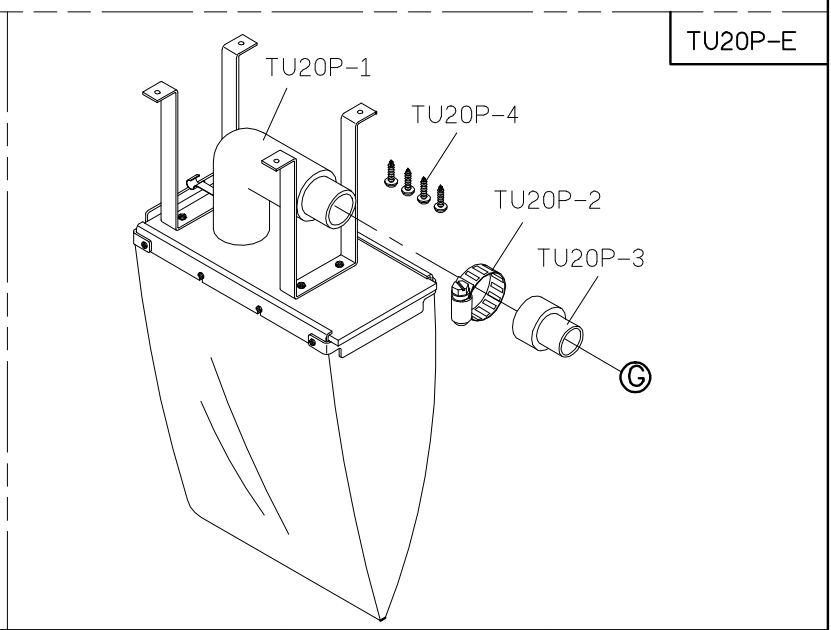
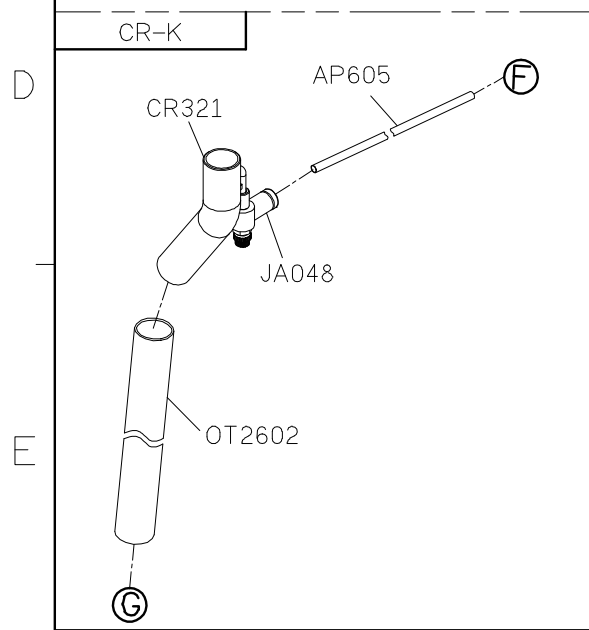
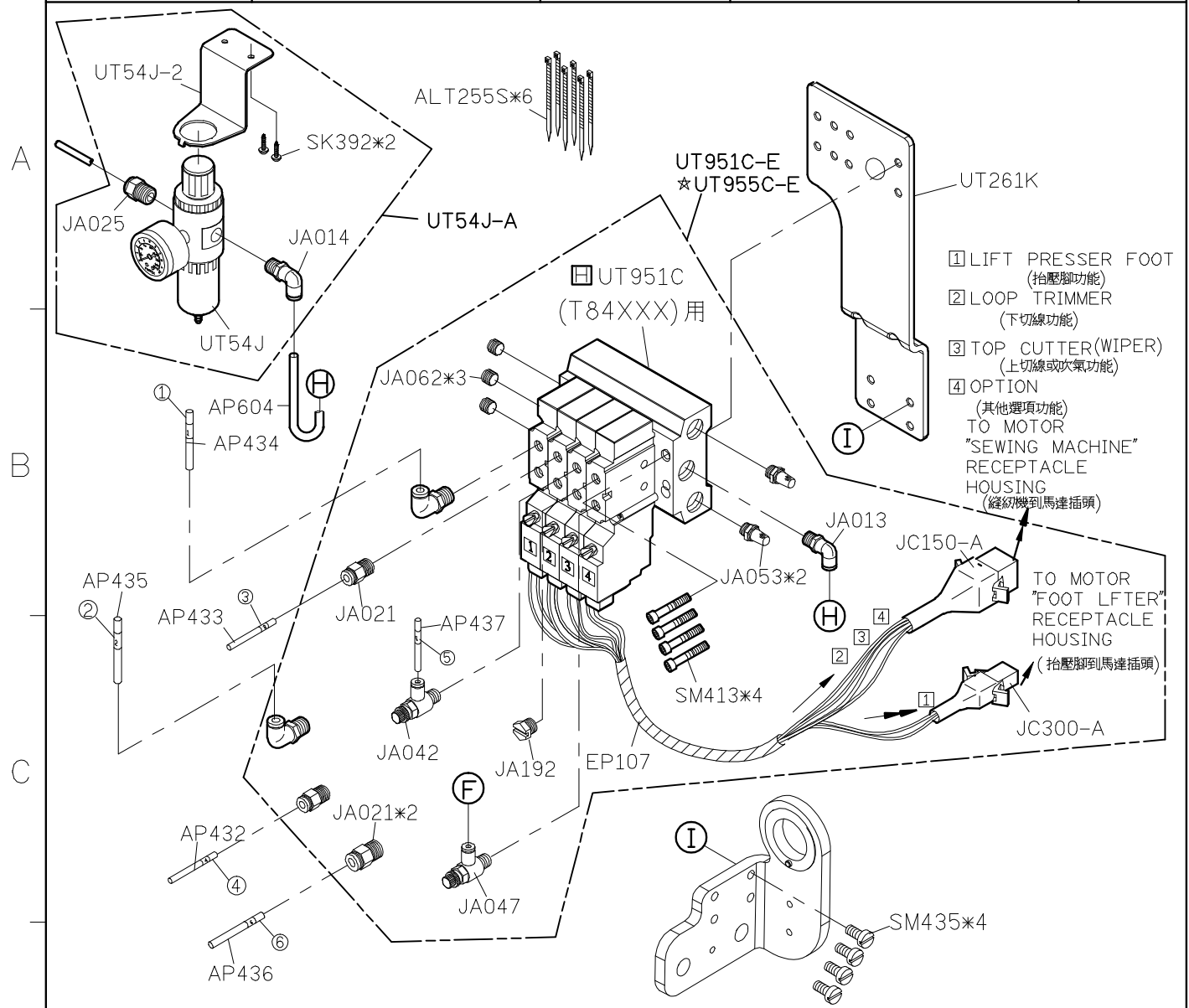
SIRUBA PARTS LIST	Series	Parts Group	Subclass / Remark	Page
	C007K/C007KD	CR-K	⊙ : UTP/UTQ is not collocatec with	2/3
	C858K/C858KD			Date
				2012/11/01



POSITION 位置	MACHINE TYPE 使用機型
AB	STANDARD DEFAULT 標準出荷値
c	FOR THOSE NOT UT TYPE CR OR CRL 用於非UT的CR或CRL

1 2 3 4 5

SIRUBA PARTS LIST	Series	Parts Group	Subclass / Remark	Page
	C007K/C007KD C858K/C858KD	CR-K	☐ : Use for H brand motor (HVP-20)	3/3
			☆ : Use for C007KD-CR(CX)/ C858KD-CR(CX)	Date
				2012/11/01



SIRUBA PARTS LIST	Series	Parts Group	Subclass / Remark	Page
	C007K/C007KD	CW-K		1/3
	C858K/C858KD			Date
				2012/11/01

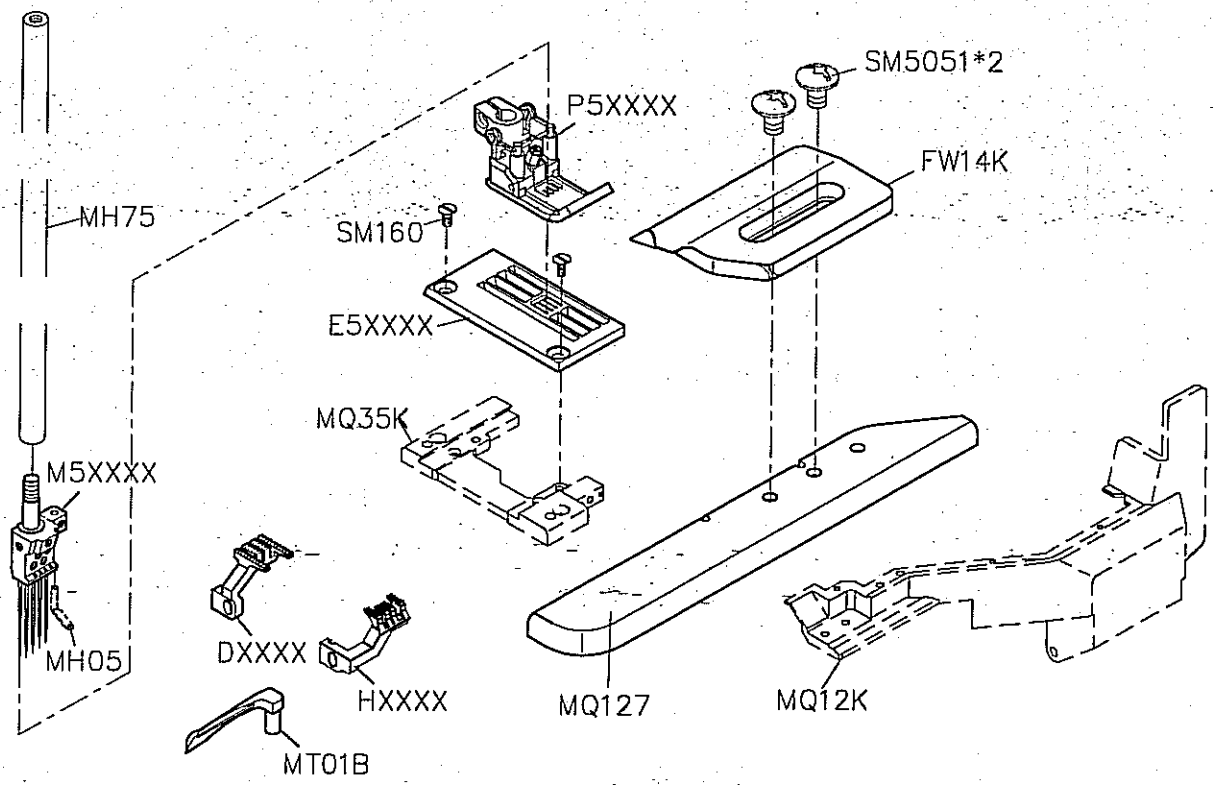
A

B

C

D

E



1

2

3

4

5

SIRUBA PARTS LIST	Series	Parts Group	Subclass / Remark	Page
	C007K/C007KD	CW-K		2/3
	C858K/C858KD			Date
				2012/11/01

A

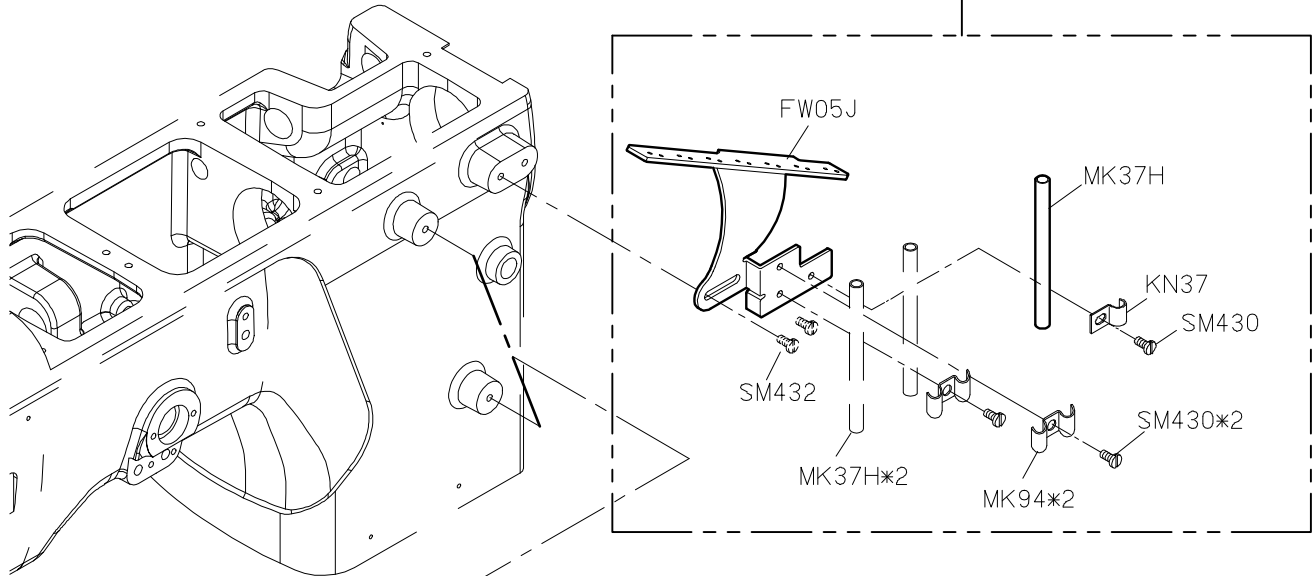
B

C

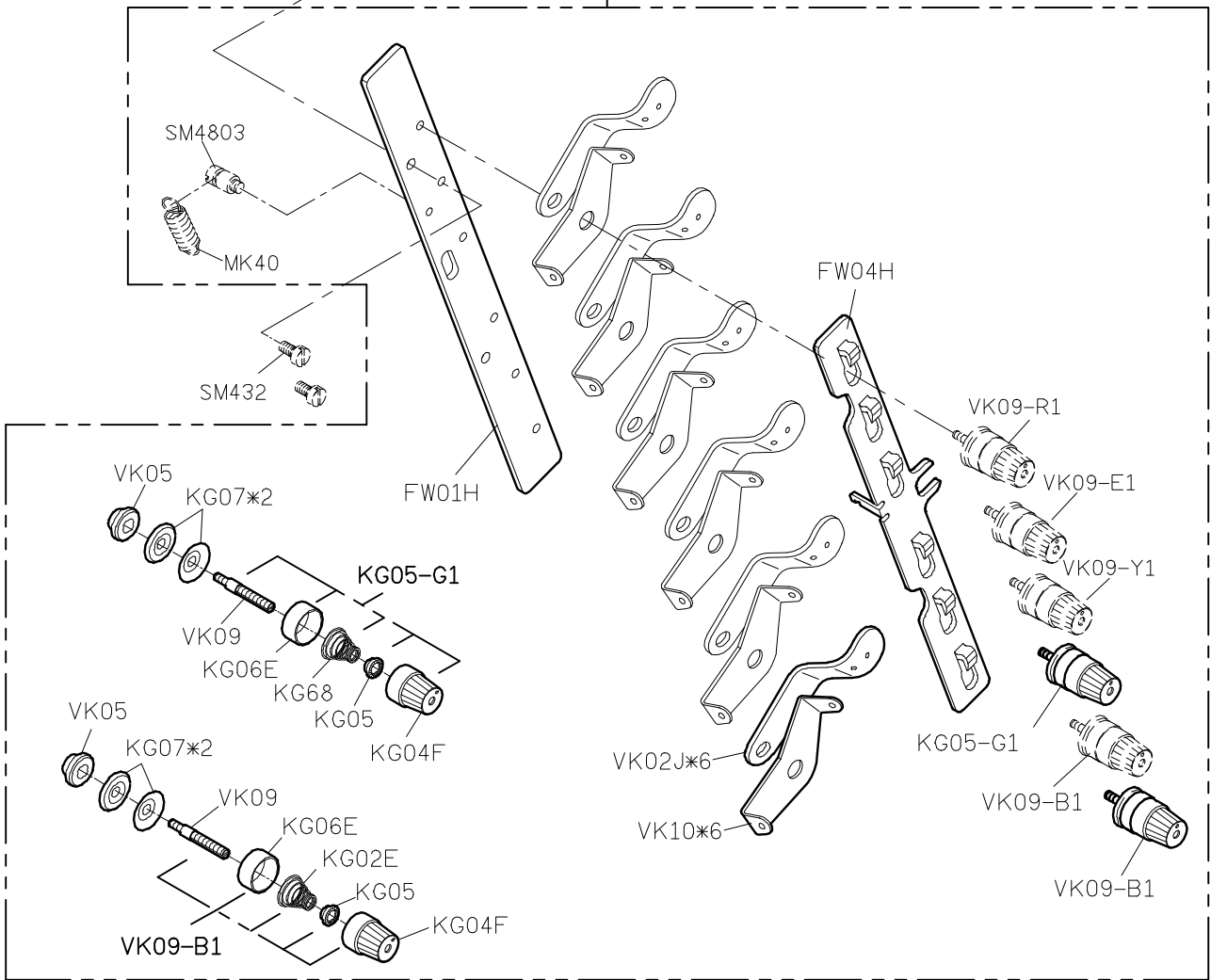
D

E

FW05J-A



FW01J-A



1

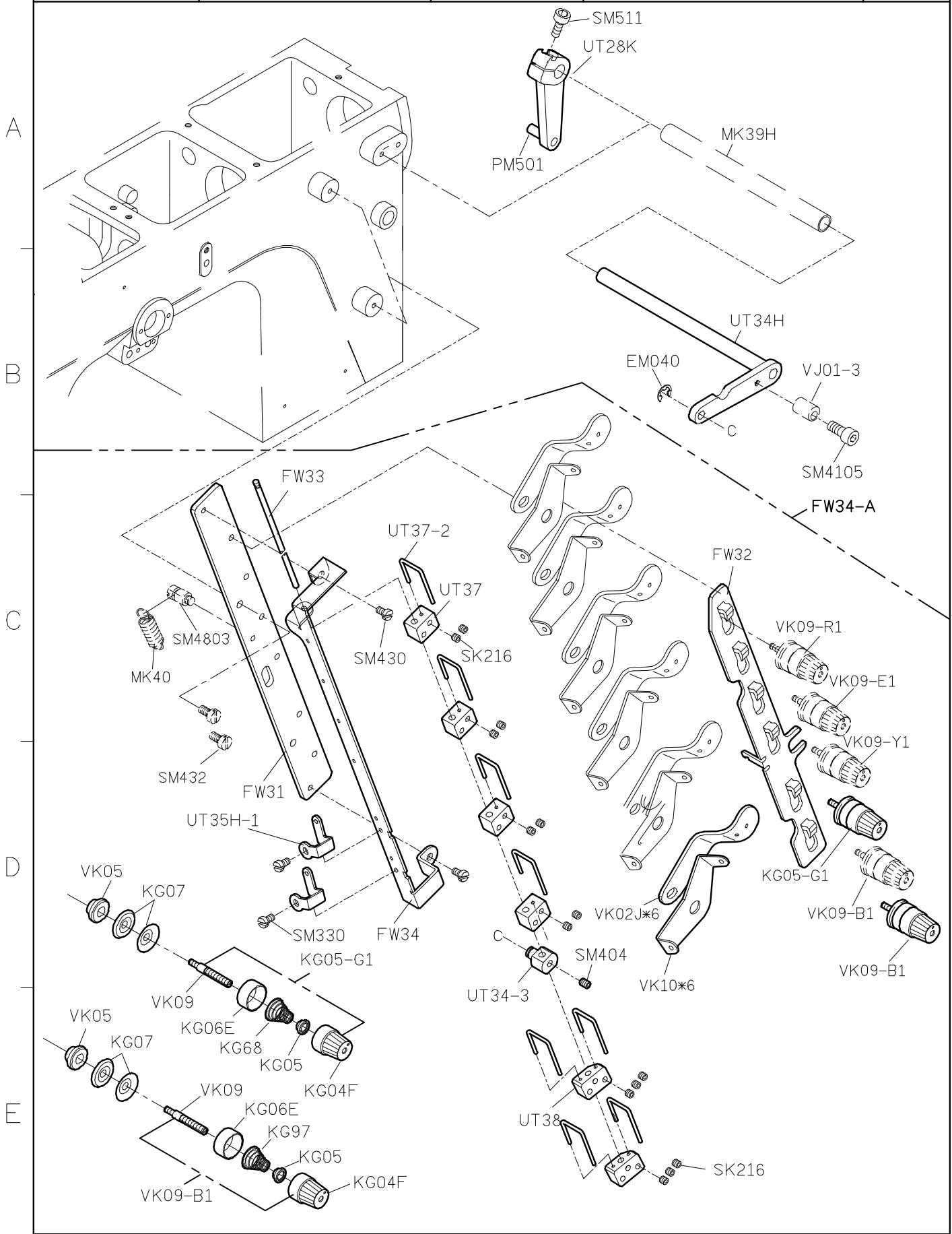
2

3

4

5

SIRUBA PARTS LIST	Series	Parts Group	Subclass / Remark	Page
	C007K/C007KD	CW-K	For UTQ	3/3
	C858K/C858KD			Date
	2012/11/01			



1

2

3

4

5

SIRUBA PARTS LIST	Series	Parts Group	Subclass / Remark	Page
	C007K/C007KD	CZ-K		2/3
	C858K/C858KD			Date
				2012/11/01

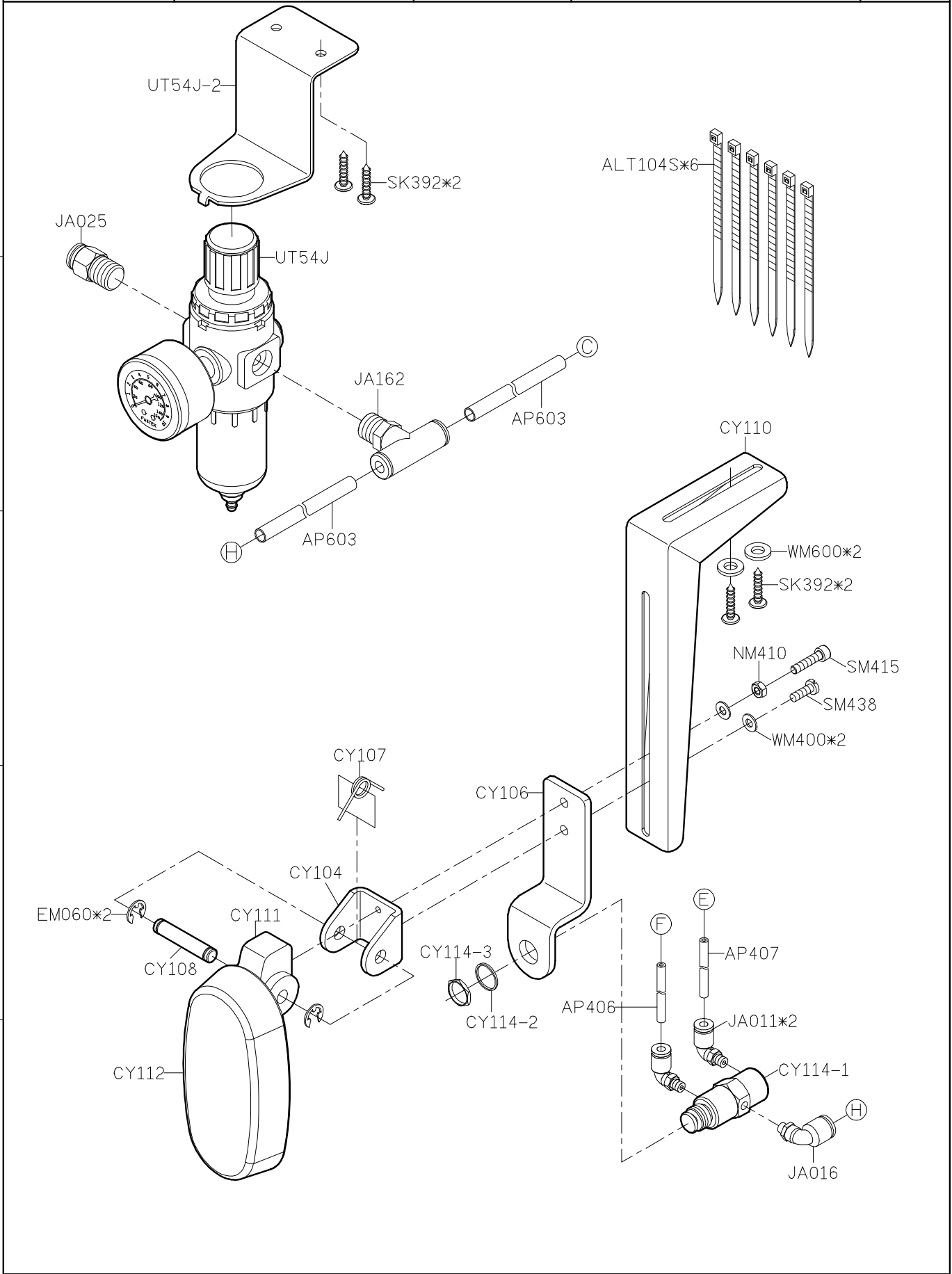
A

B

C

D

E



1

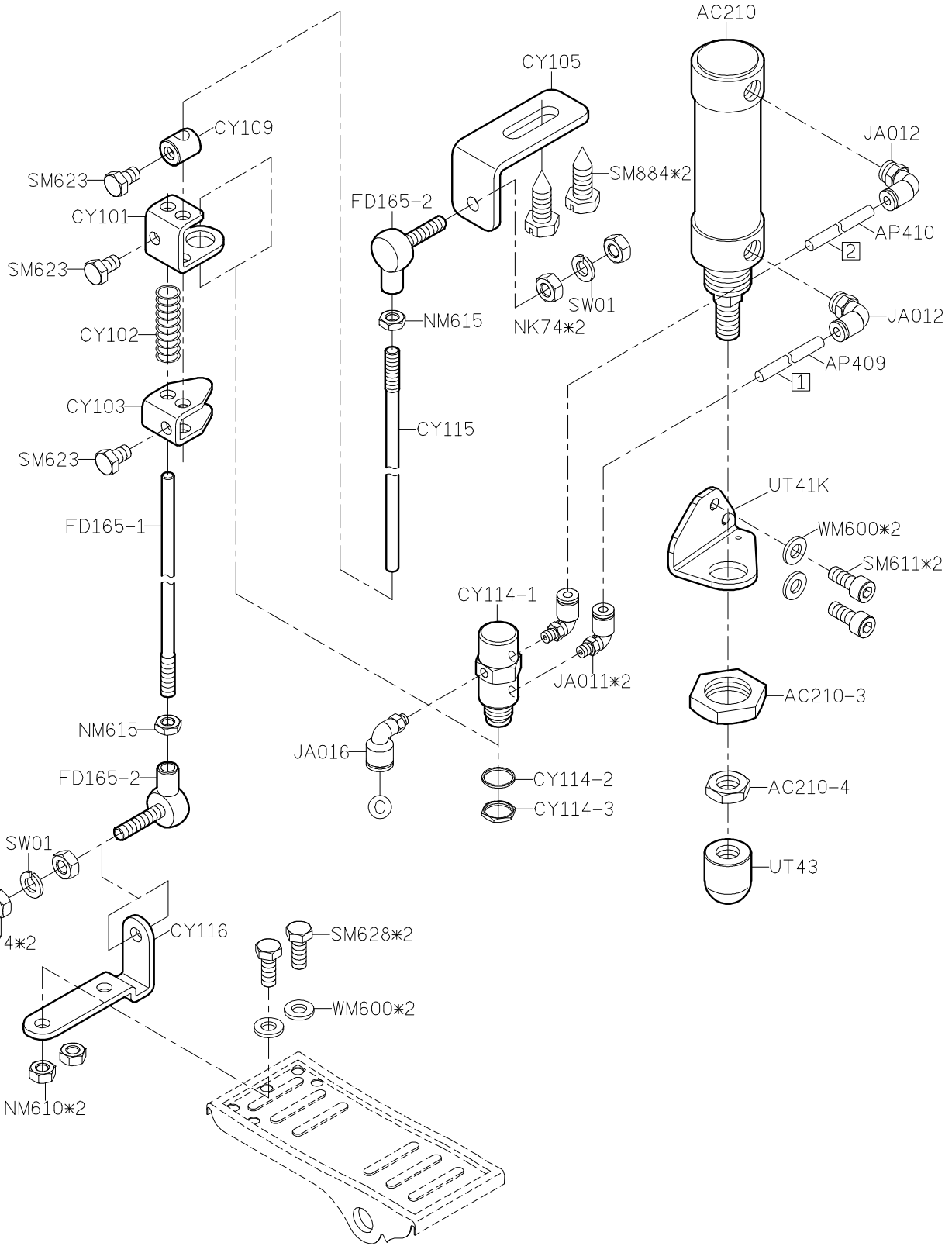
2

3

4

5

SIRUBA PARTS LIST	Series	Parts Group	Subclass / Remark	Page
	C007K/C007KD	CZ-K		3/3
	C858K/C858KD			Date
				2012/11/01



1

2

3

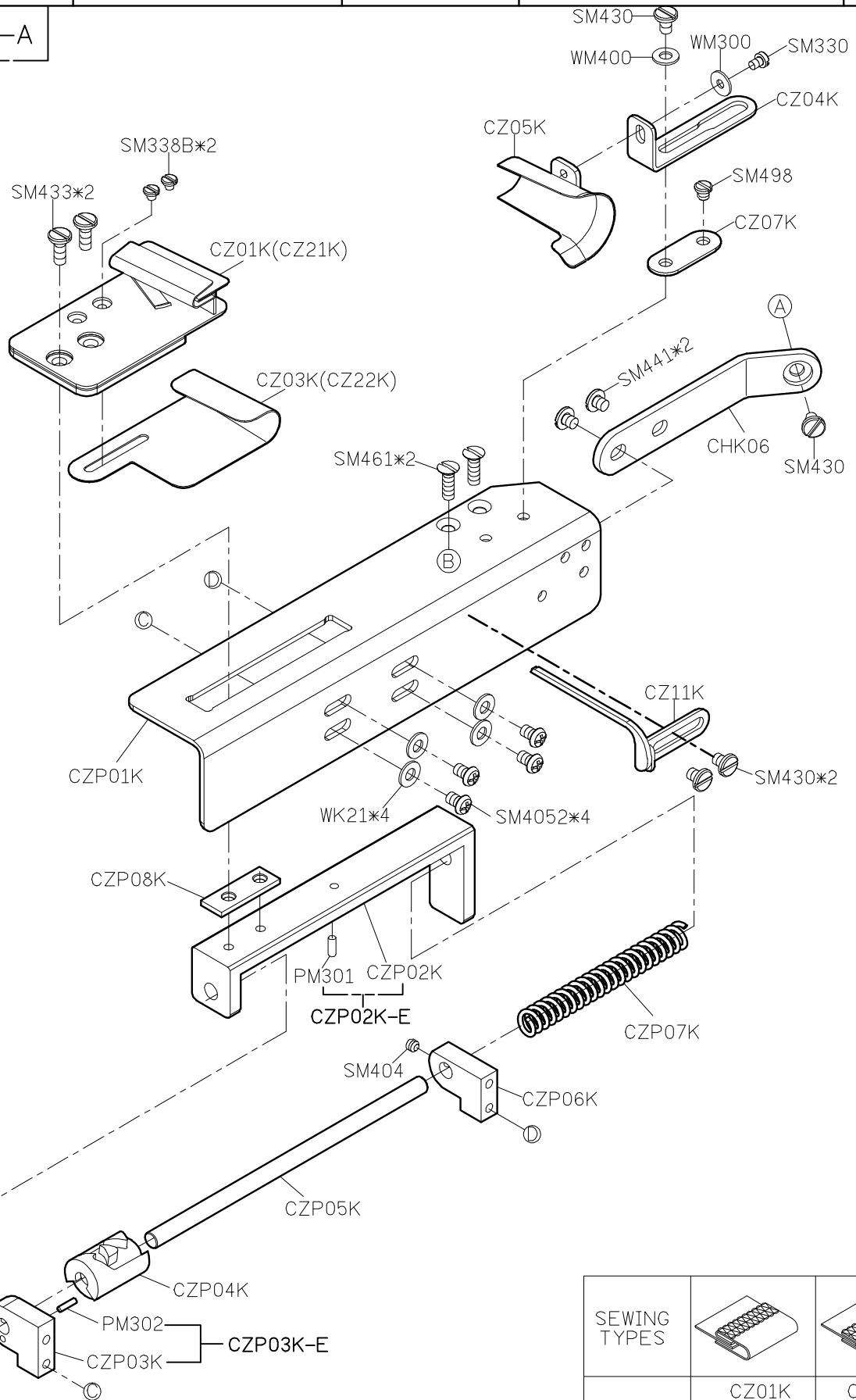
4

5

SIRUBA PARTS LIST	Series	Parts Group	Subclass / Remark	Page
	C007K/C007KD	CZP-K		1/3
	C858K/C858KD		Date	
			2012/11/01	

CZP01K-A

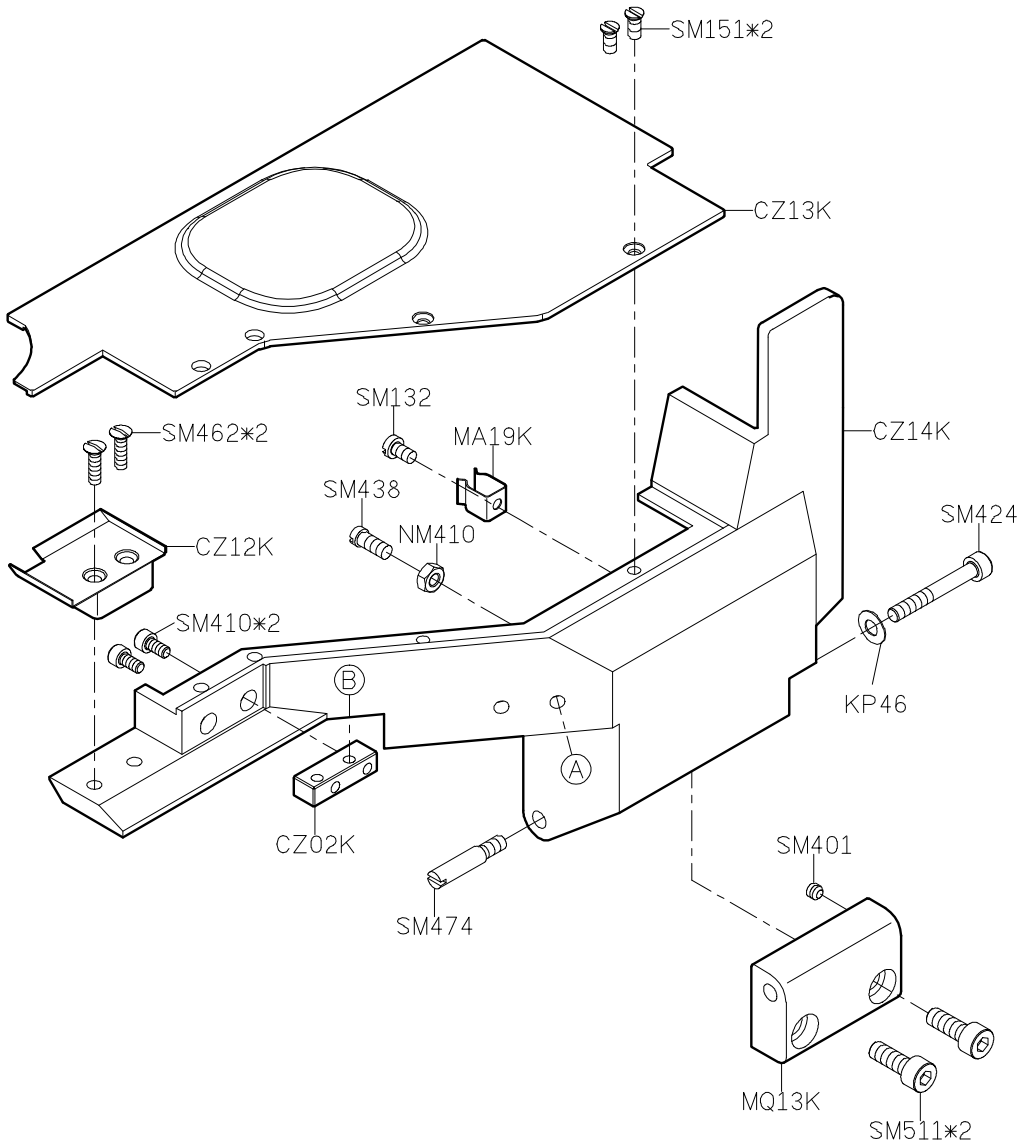
A
B
C
D
E

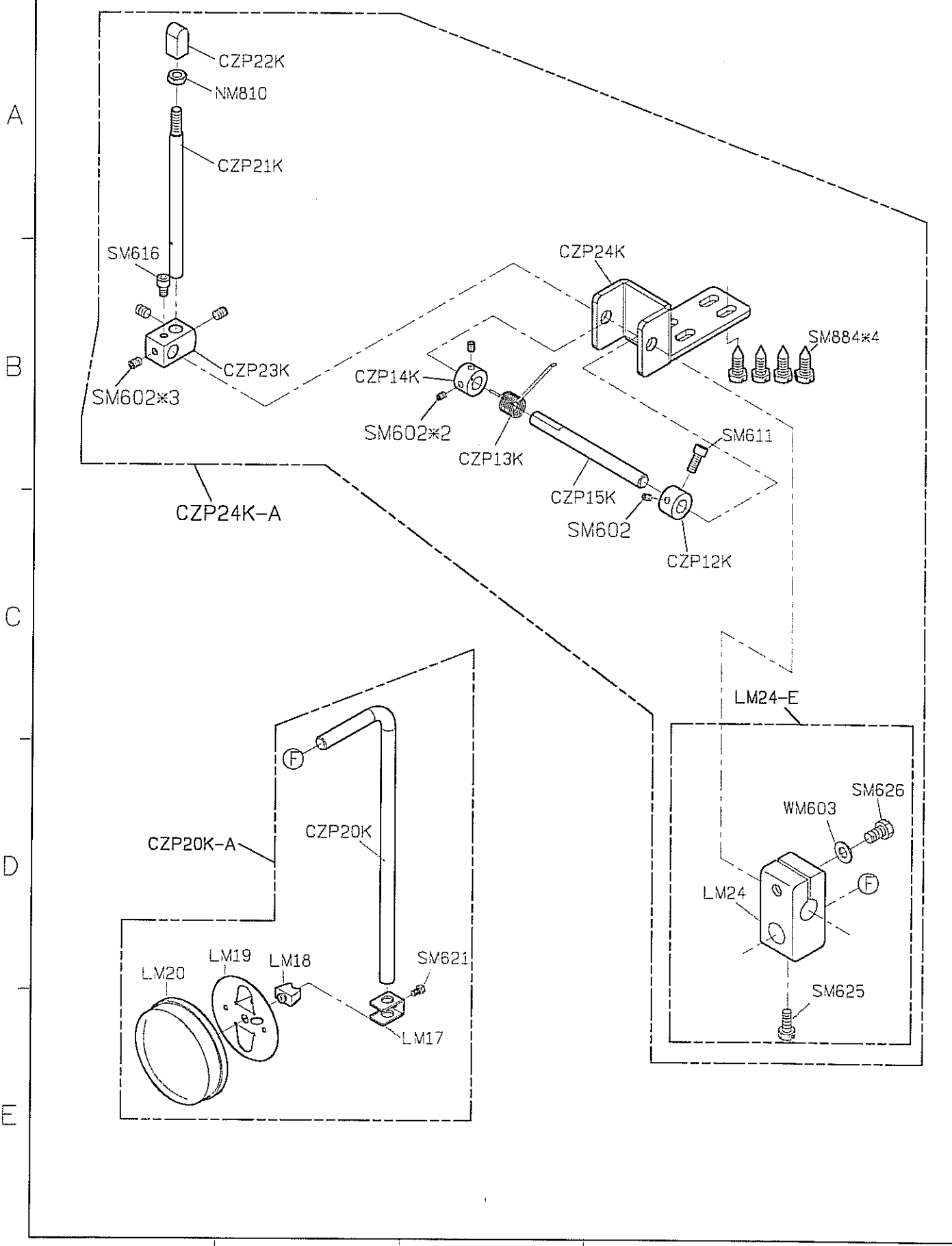


SEWING TYPES		
CODE	CZ01K CZ03K	CZ21K CZ22K

SIRUBA PARTS LIST	Series	Parts Group	Subclass / Remark	Page
	C007K/C007KD	CZP-K		2/3
	C858K/C858KD			Date
				2012/11/01

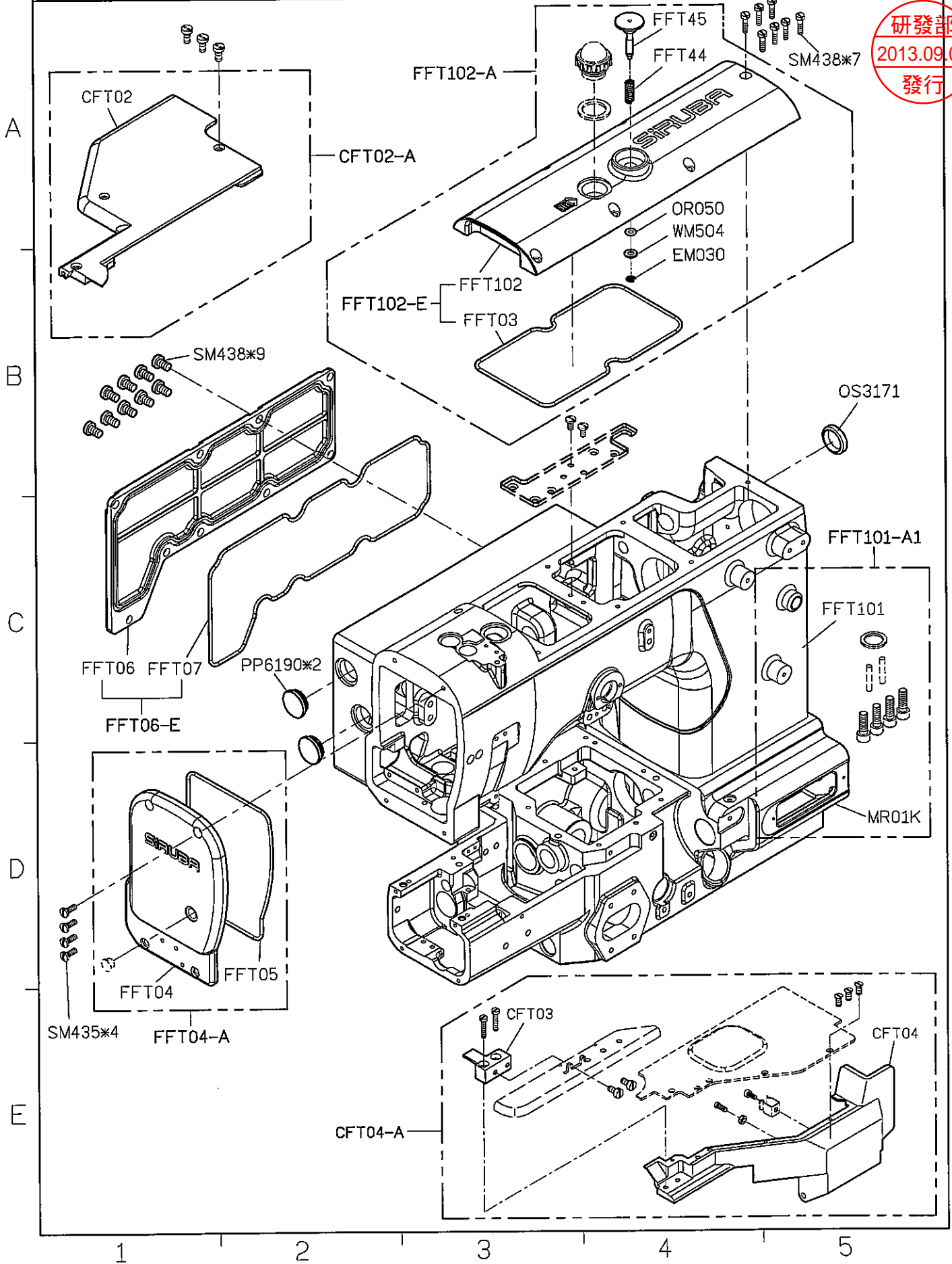
A
B
C
D
E



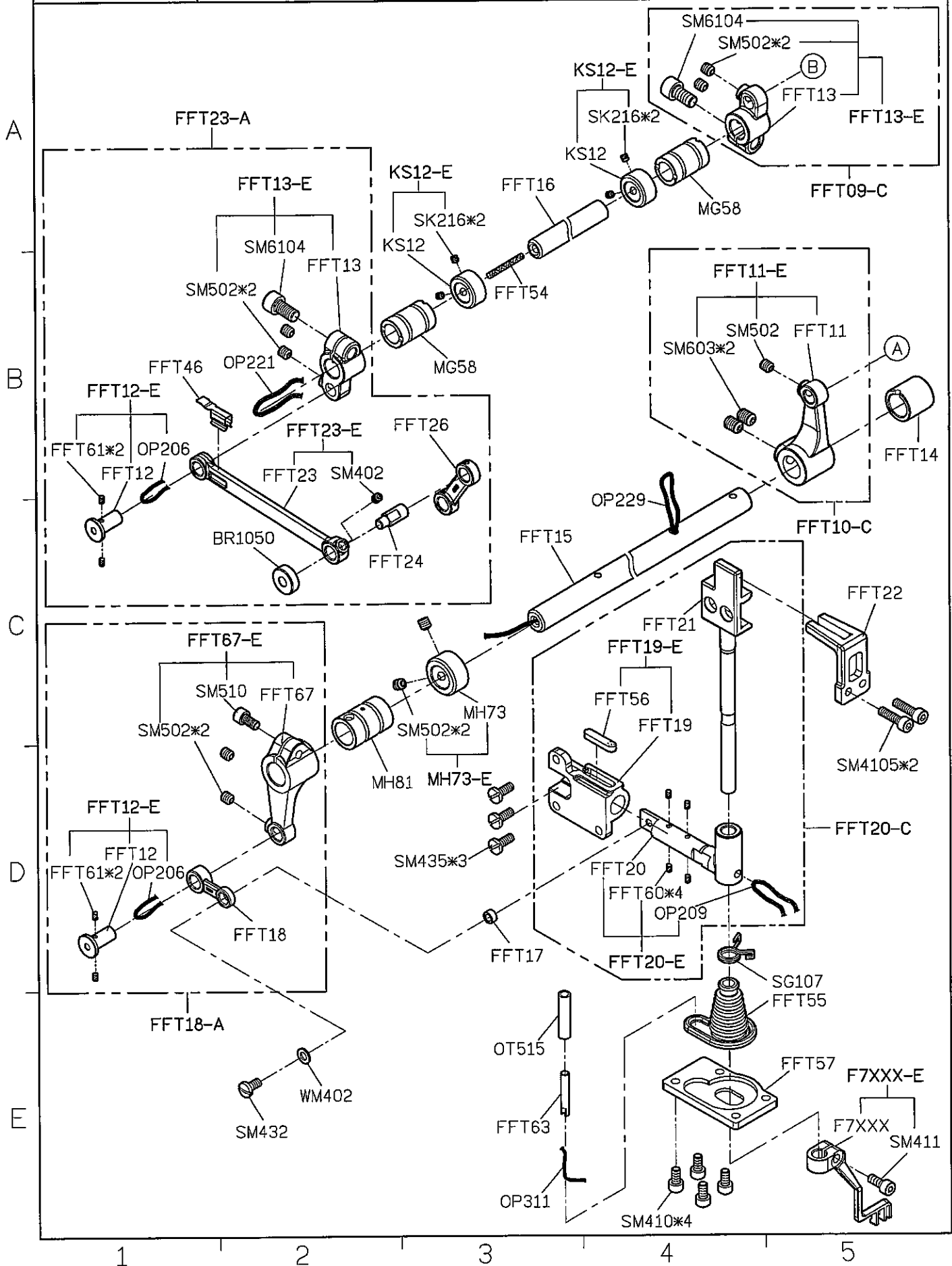


SIRUBA PARTS LIST	Series	Parts Group	Subclass / Remark	Page
	C007KD	FFT		1/7
			Date	
			2013/09/02	

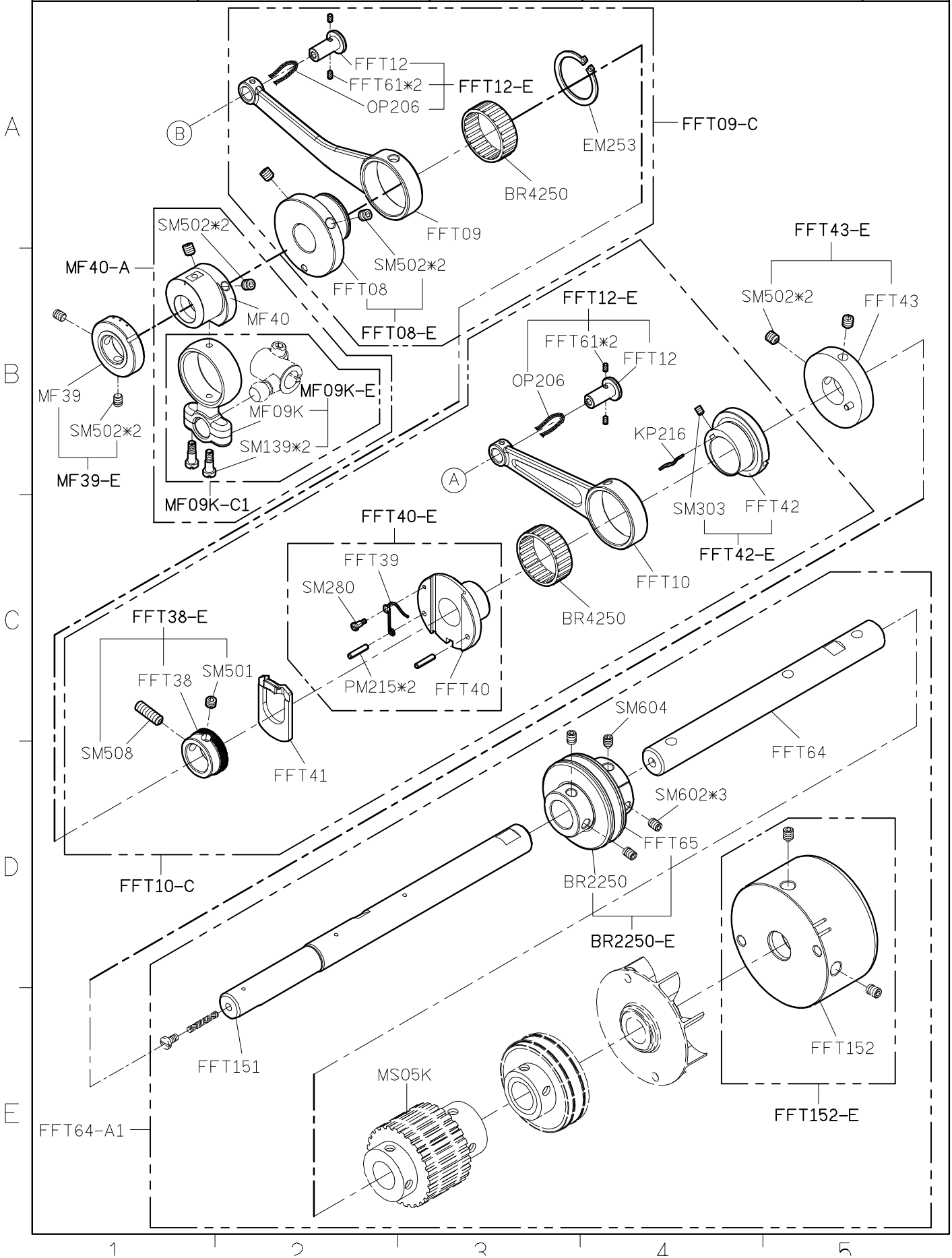
研發部
 2013.09.02
 發行



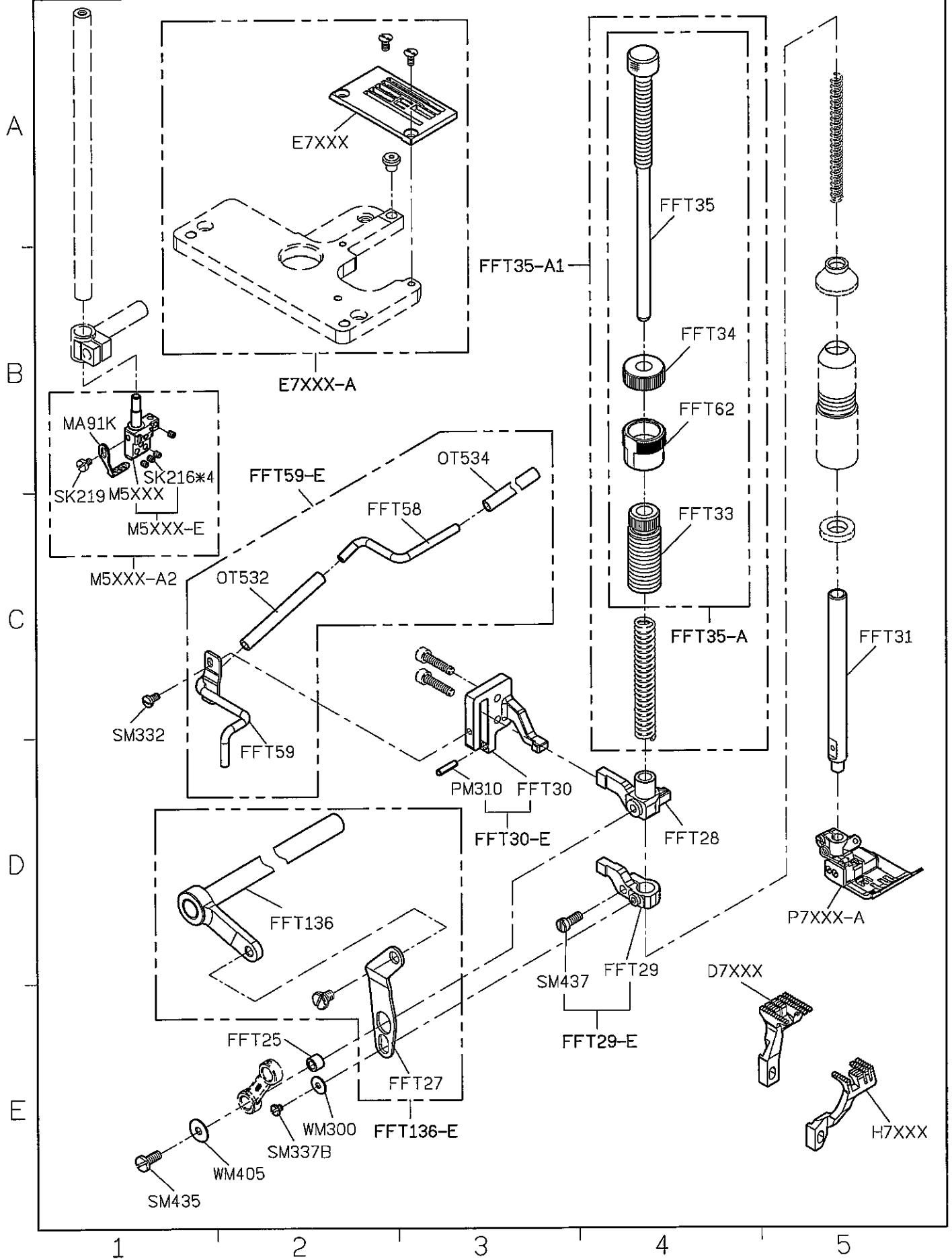
SIRUBA PARTS LIST	Series	Parts Group	Subclass / Remark	Page
	C007KD	FFT		2/7
				Date
				2013/08/16



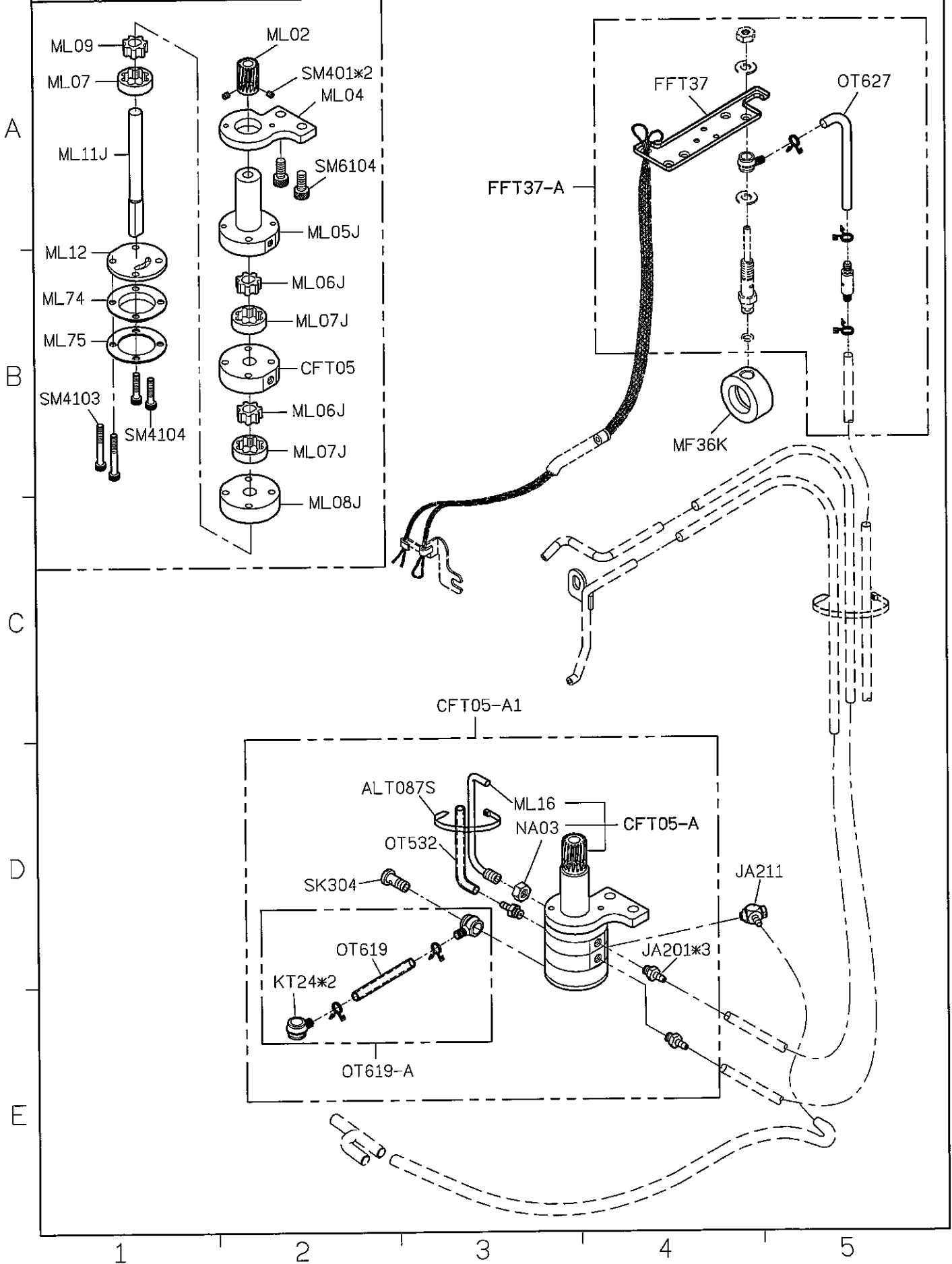
SIRUBA PARTS LIST	Series	Parts Group	Subclass / Remark	Page
	C007KD	FFT		3/7
				Date
				2012/12/25



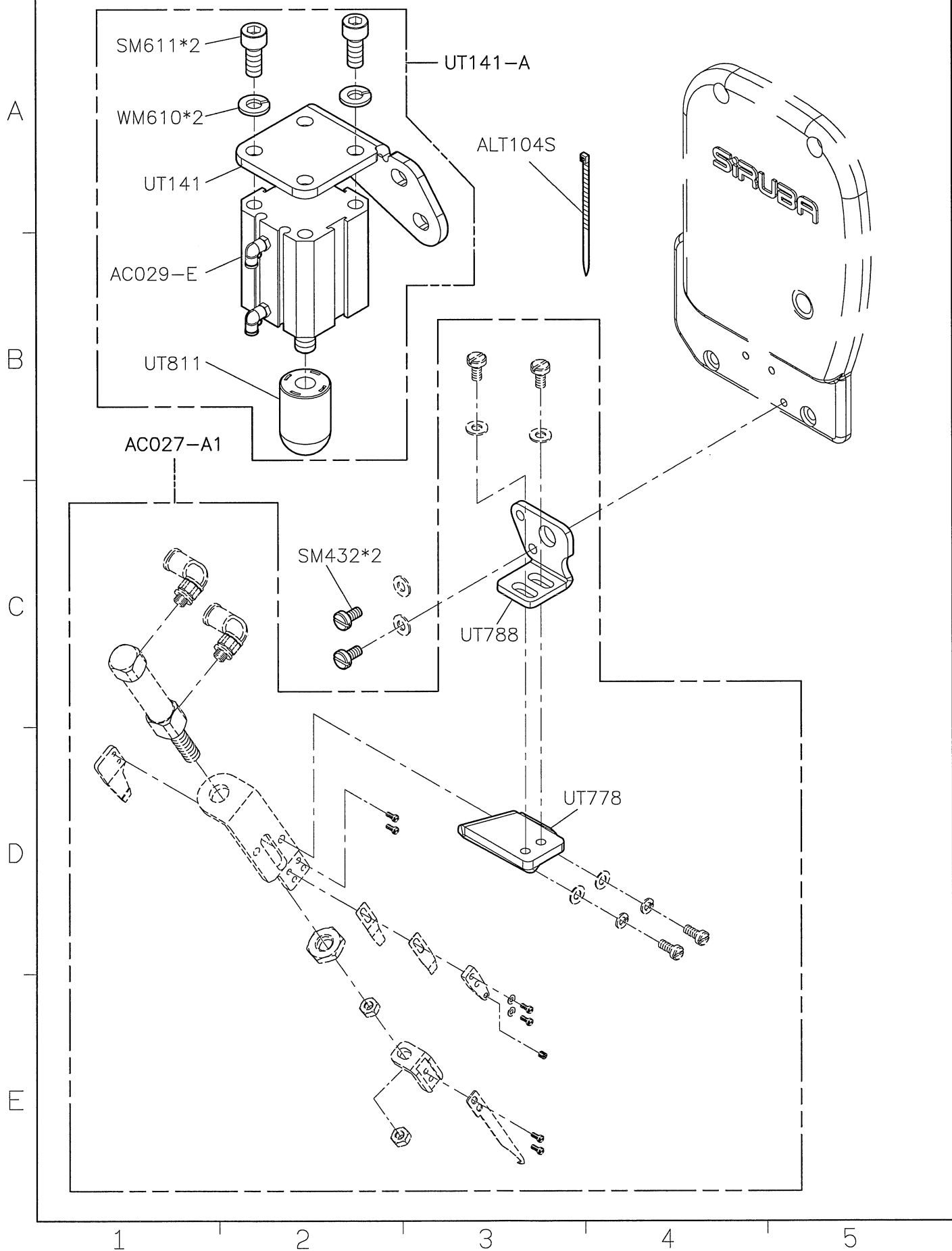
SIRUBA PARTS LIST	Series	Parts Group	Subclass / Remark	Page
	C007KD	FFT		4/7
				Date
				2013/08/14



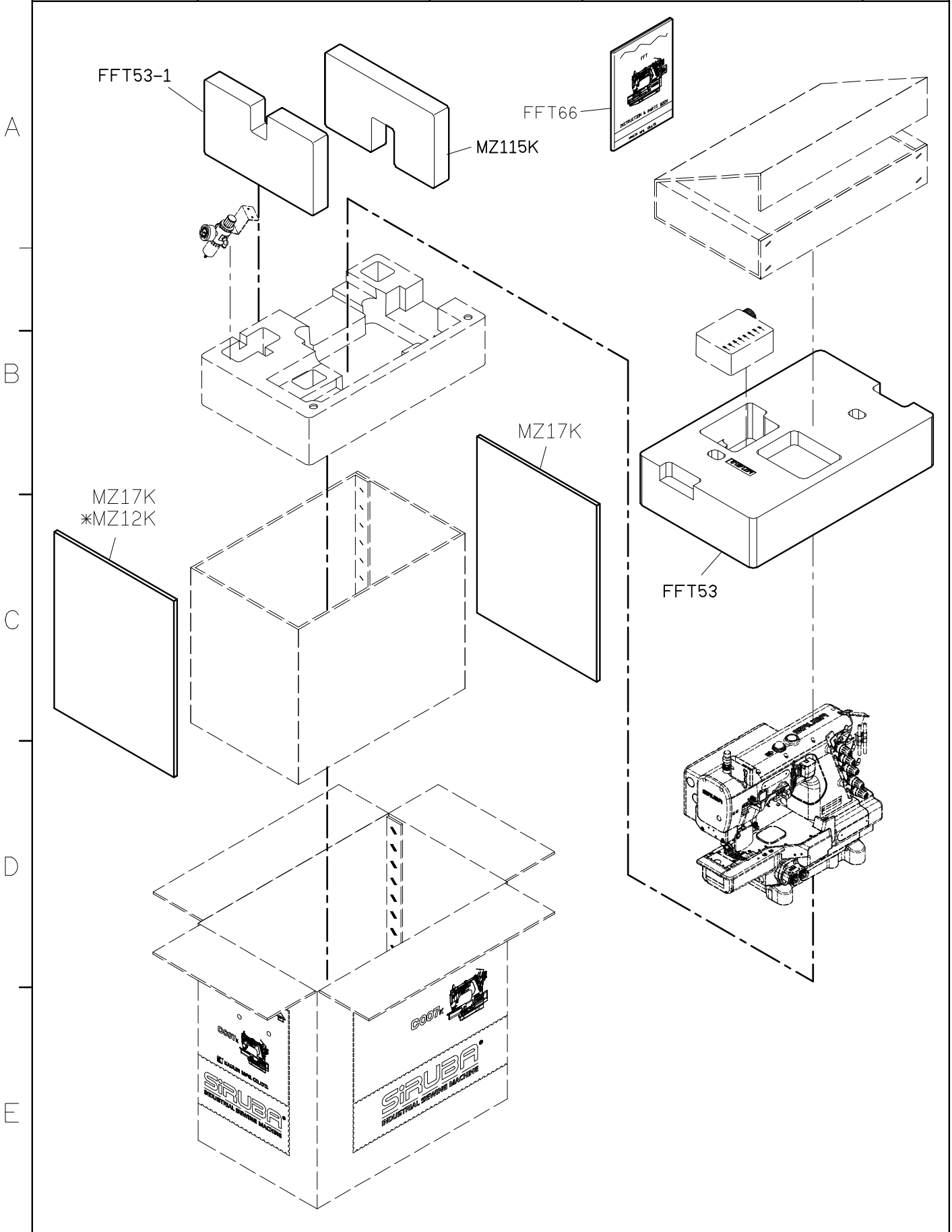
SIRUBA PARTS LIST	Series C007KD	Parts Group FFT	Subclass / Remark	Page 5/7 Date 2013/08/27
			<div style="border: 2px solid red; border-radius: 50%; padding: 5px; display: inline-block;"> 研發部 2013.08.27 發行 </div>	



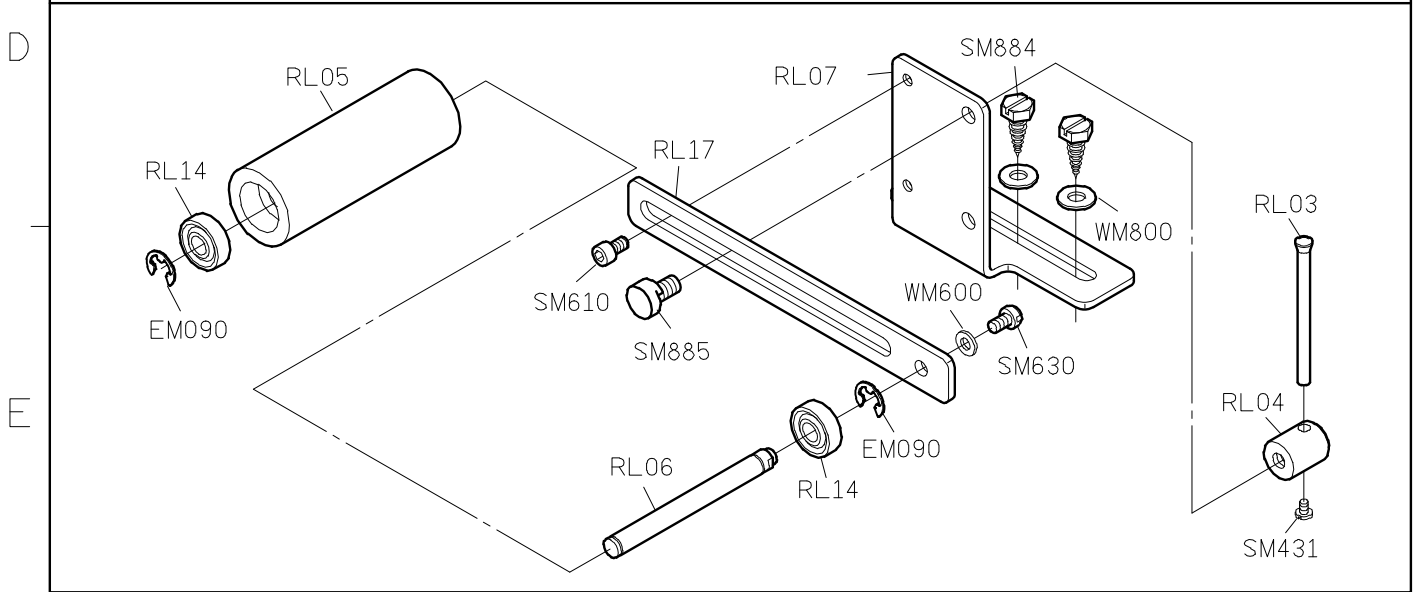
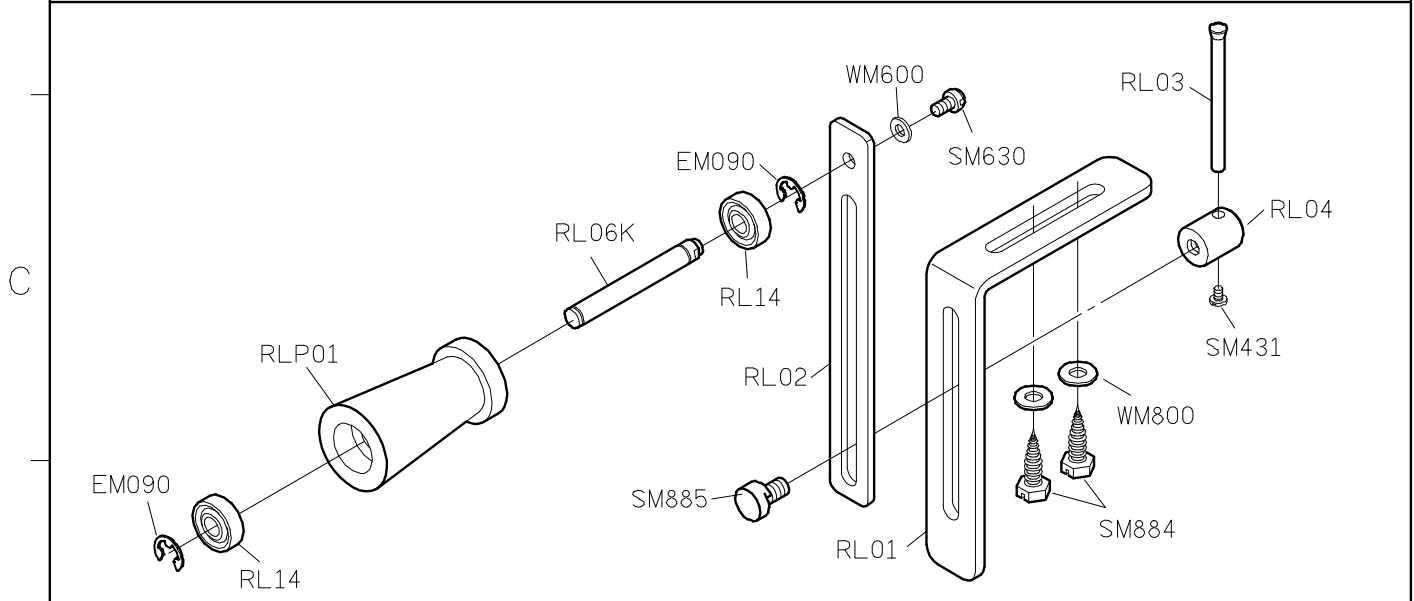
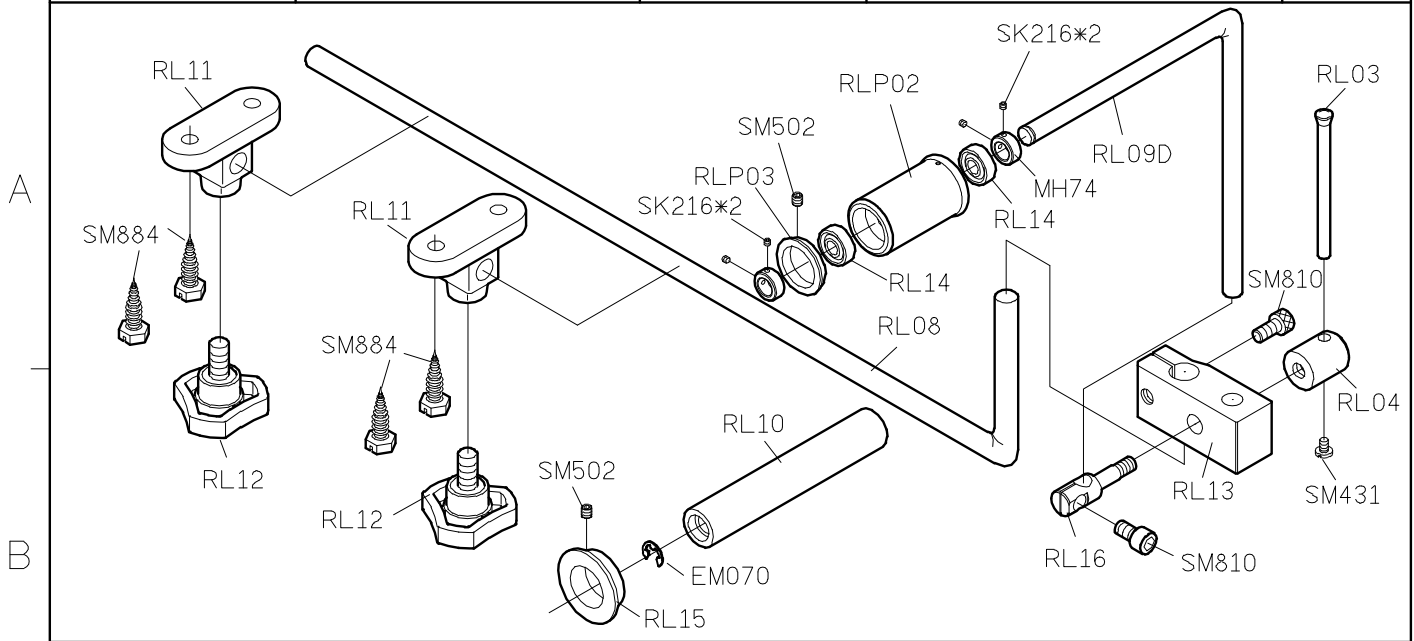
SIRUBA PARTS LIST	Series	Parts Group	Subclass / Remark	Page
	C007KD	FFT	Use for UT	6/7
				Date 2014/03/10



SIRUBA PARTS LIST	Series	Parts Group	Subclass / Remark	Page
	C007KD	FFT	* Use for UT	7/7
				Date
				2012/12/25



SIRUBA PARTS LIST	Series	Parts Group	Subclass / Remark	Page
	C007K/C007KD	RLP		1/1
	C858K/C858KD			Date
				2013/01/09



SIRUBA

PARTS LIST

Series
C007K/C007KD
C858K/C858KD

Parts Group
UTP(UTQ)-K

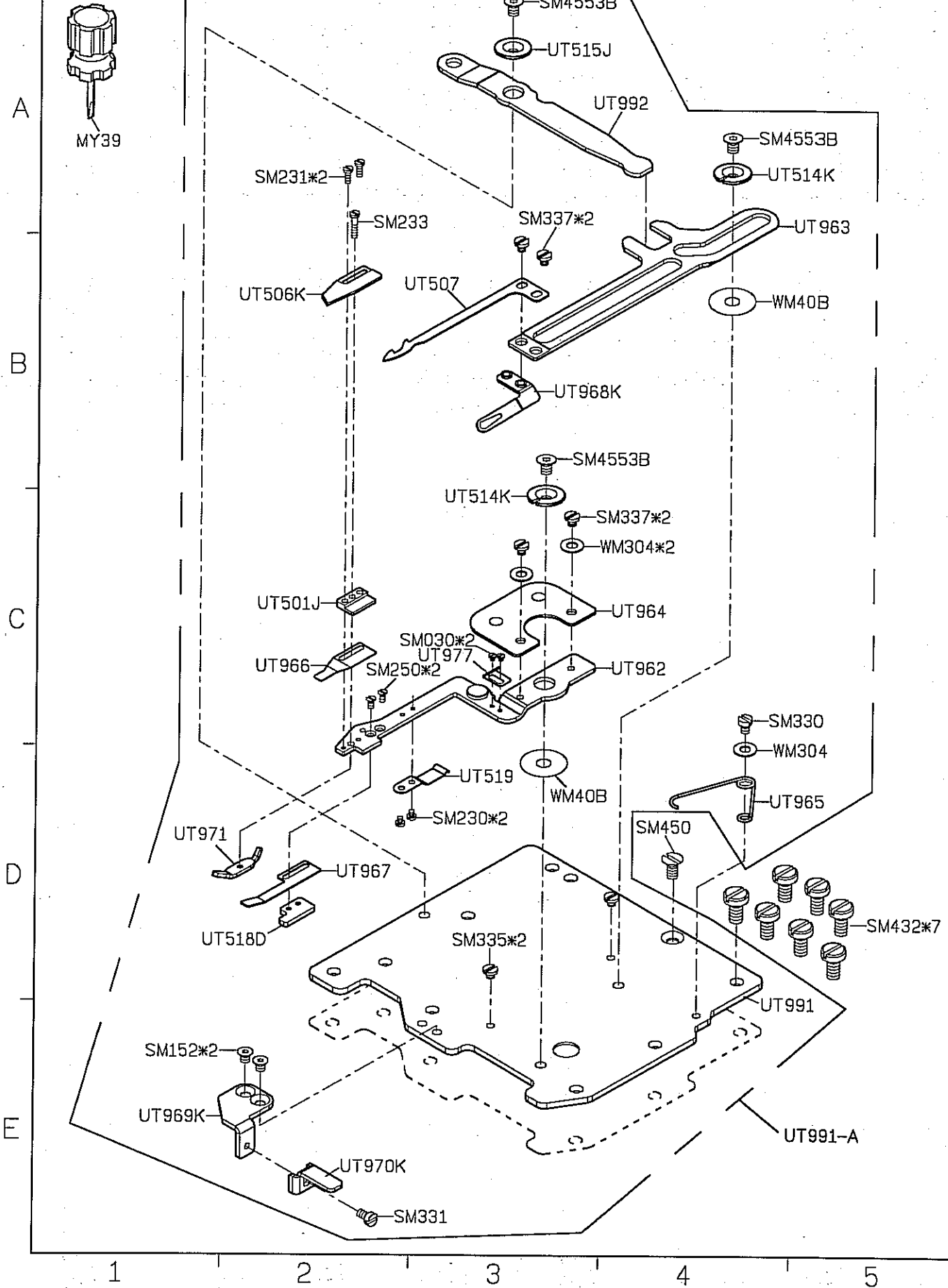
Subclass / Remark

Page

1/12

Date

2014/02/27



SIRUBA

PARTS LIST

Series

C007K/C007KD
C858K/C858KD

Parts Group

UTP(UTQ)-K

Subclass / Remark

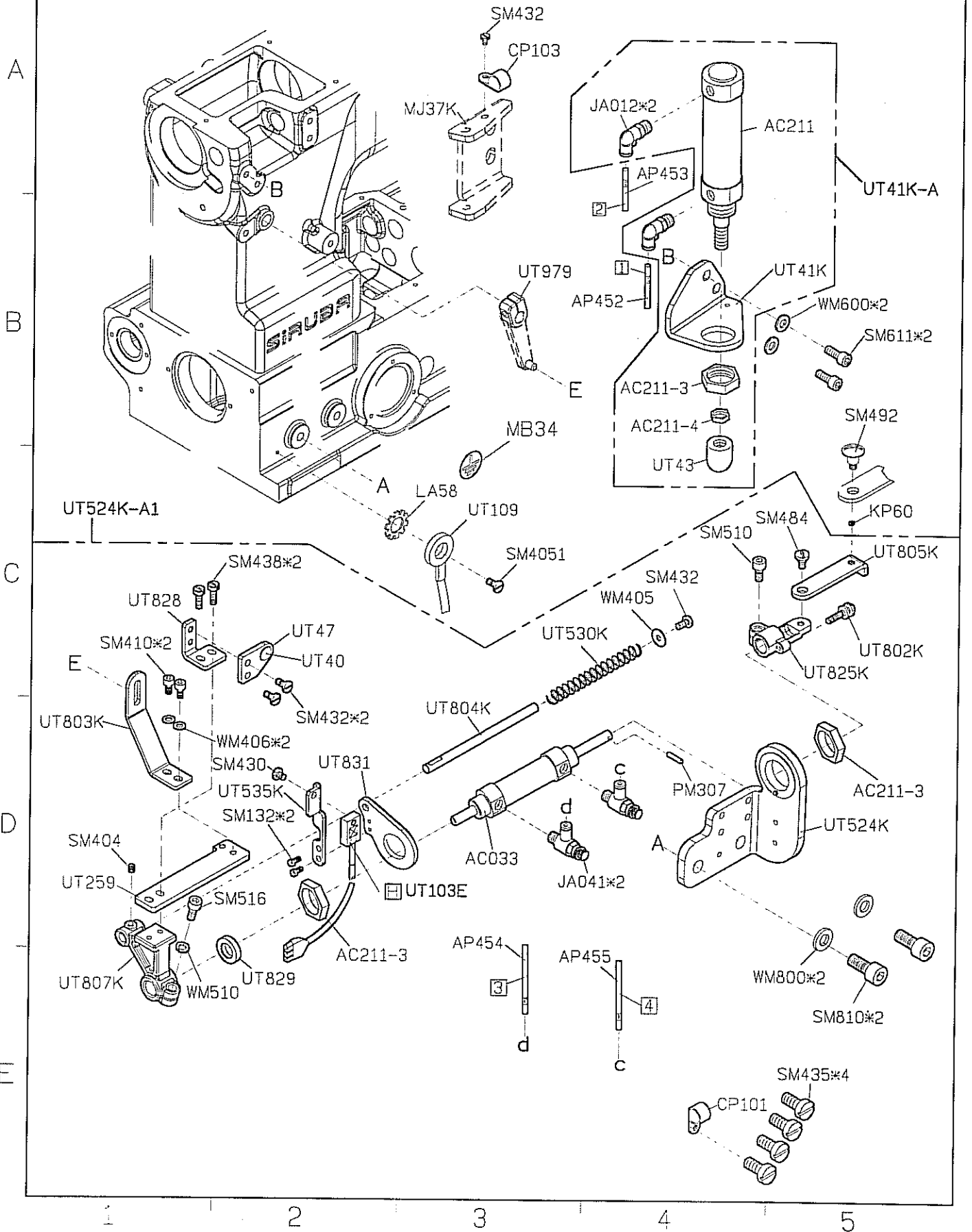
☐ : Use for H brand motor

Page

2/12

Date

2013/08/06



SIRUBA

PARTS LIST

Series

C007K/C007KD
C858K/C858KD

Parts Group

UTP(UTQ)-K

Subclass / Remark

☐ : Use for H brand motor

Page

3/12

Date

2013/08/06

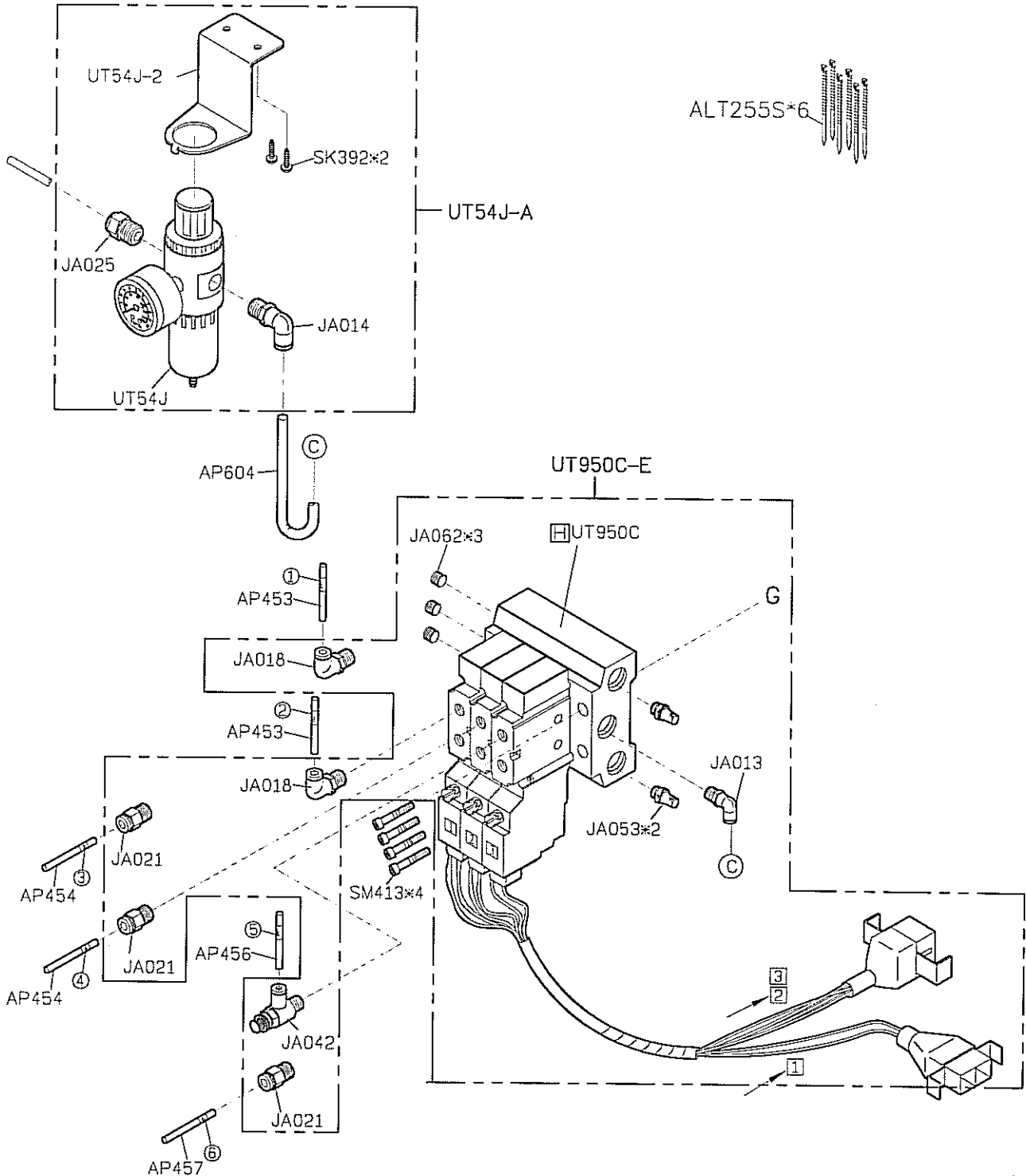
A

B

C

D

E



- ① LIFT PRESSER FOOT
- ② LOOP TRIMMER
- ③ TOP CUTTER (WIPER)

1

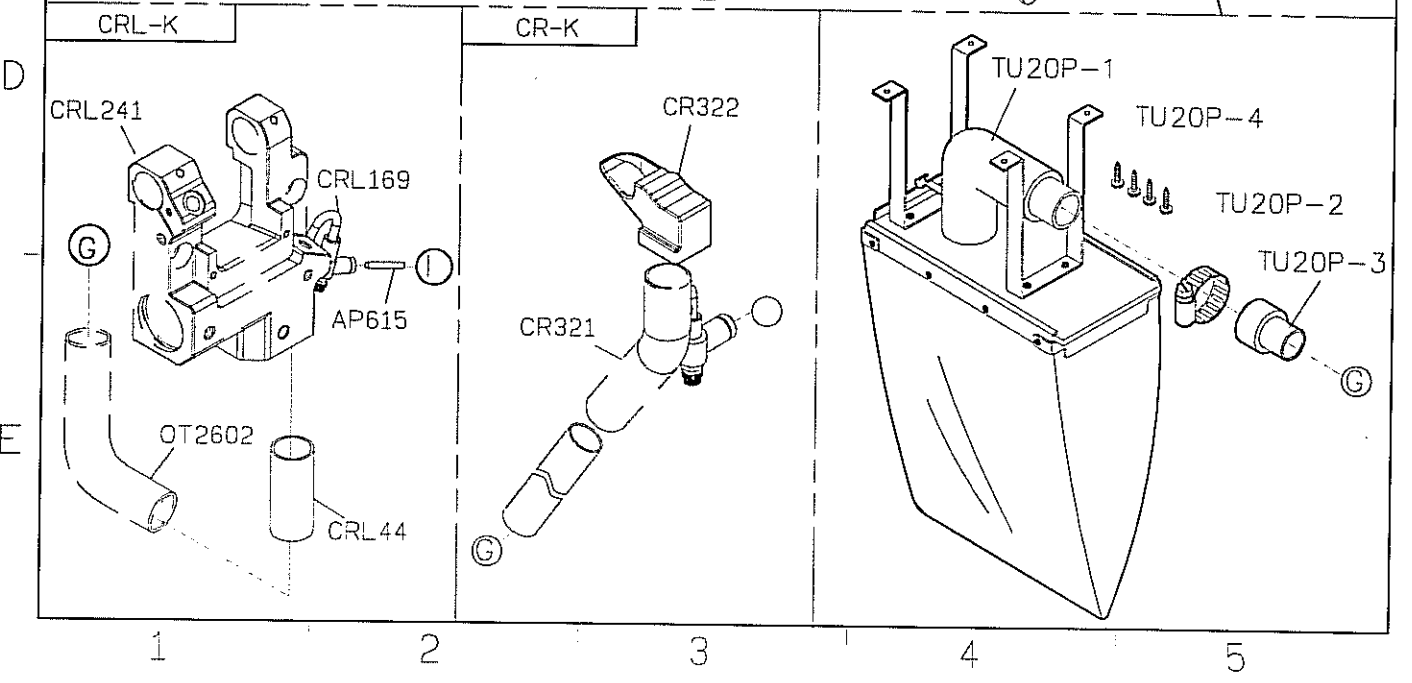
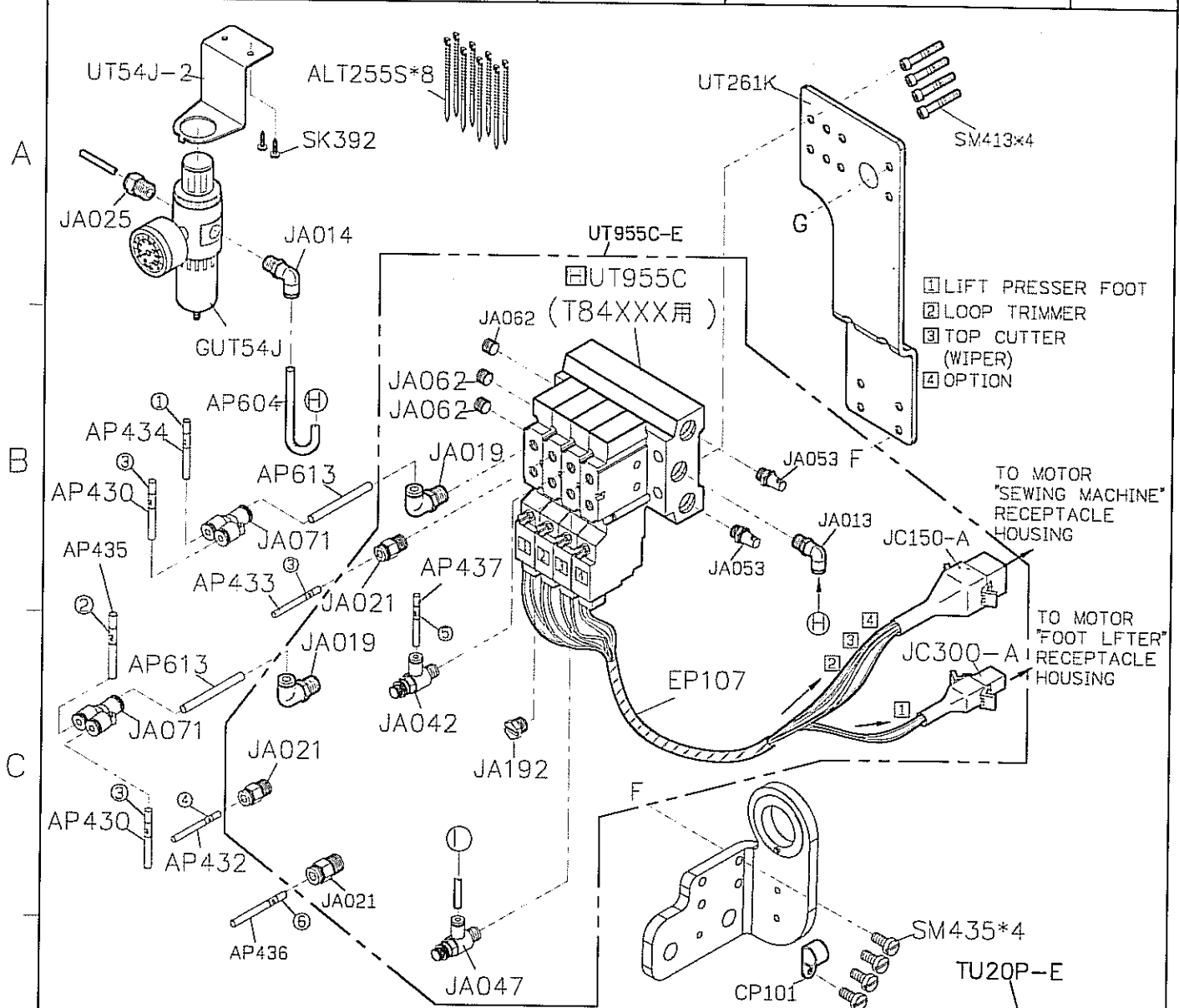
2

3

4

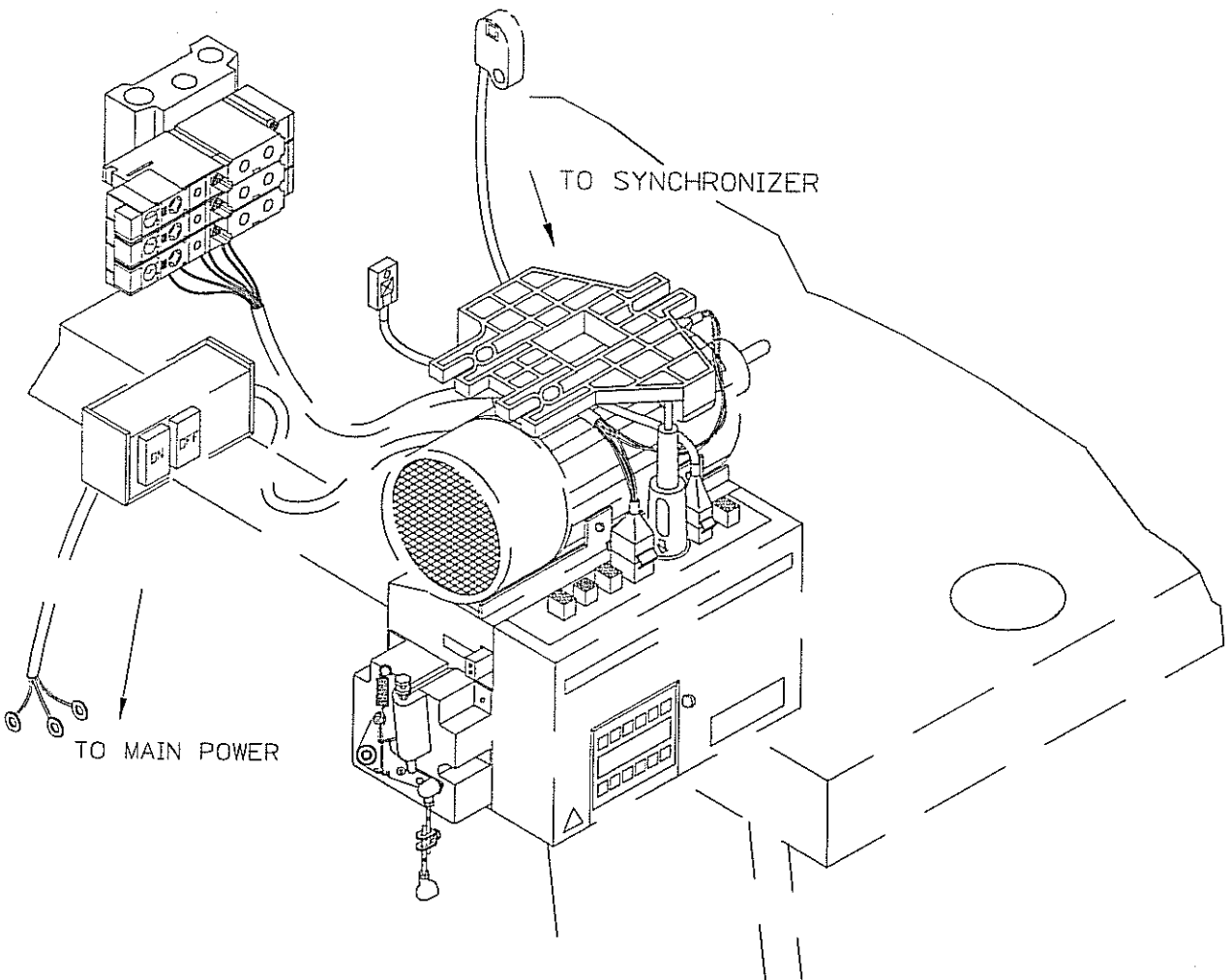
5

SIRUBA PARTS LIST	Series	Parts Group	Subclass / Remark	Page
	C007K/C007KD C858K/C858KD	UTP(UTQ)-K	☐ : Use for H brand motor	4/12
				Date 2013/08/06



SIRUBA PARTS LIST	Series	Parts Group	Subclass / Remark	Page
	C007K/C007KD	UTP(UTQ)-K	For C007K/C858K	5/12
	C858K/C858KD			Date
				2013/08/06

A
B
C
D
E



1 2 3 4 5

SIRUBA

PARTS LIST

Series

C007K/C007KD

C858K/C858KD

Parts Group

UTP(UTQ)-K

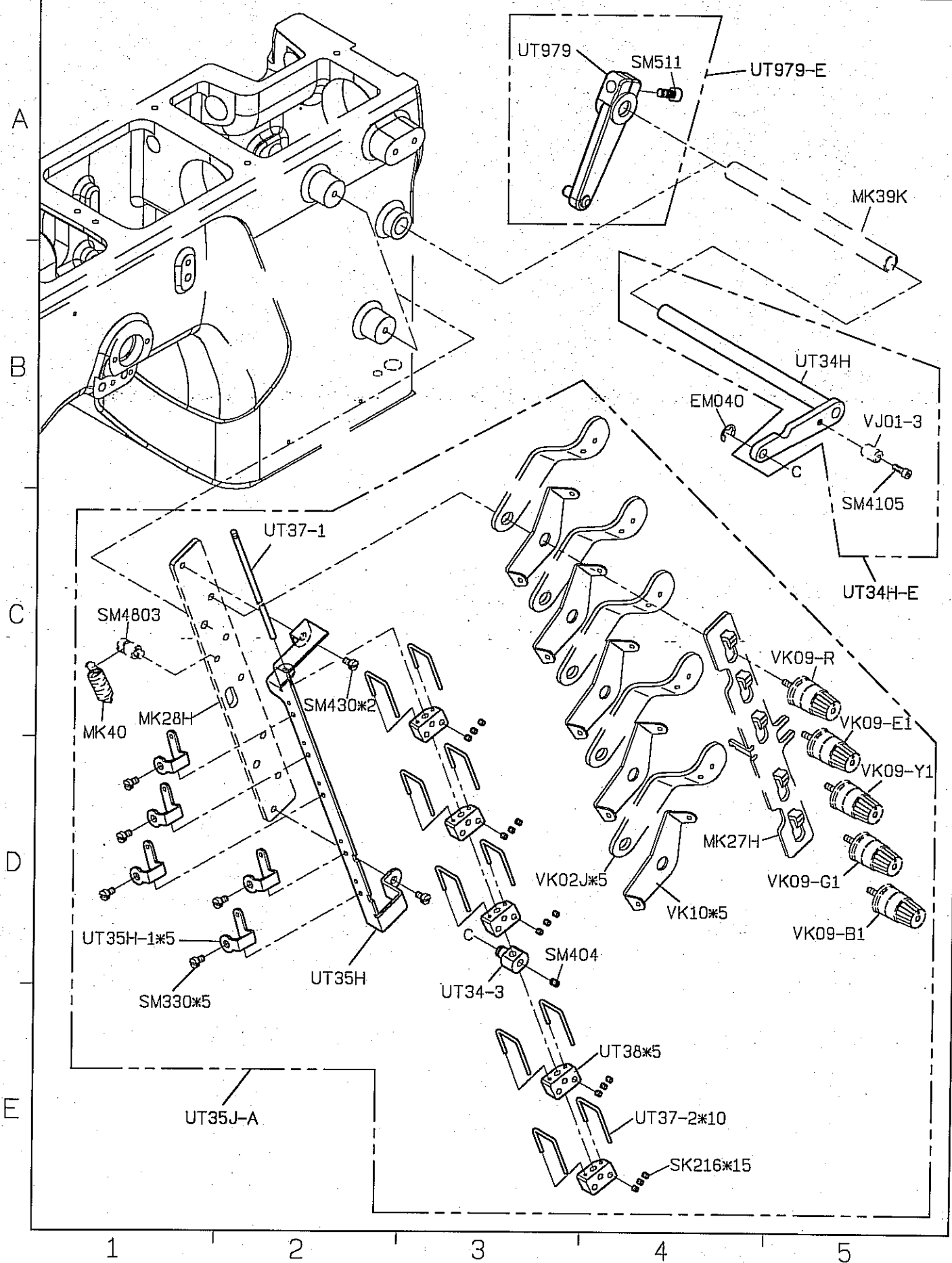
Subclass / Remark

Page

6/12

Date

2013/10/16



SIRUBA

PARTS LIST

Series

C007K/C007KD
C858K/C858KD

Parts Group

UTQ-K

Subclass / Remark

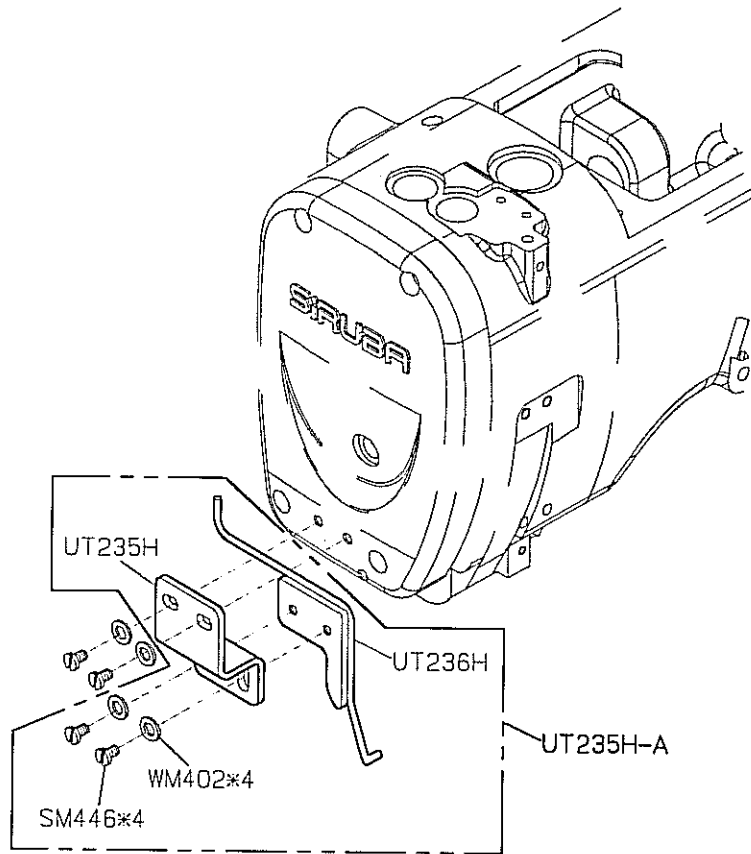
Page

7/12

Date

2013/08/06

FOR LEFT SIDE



A
B
C
D
E

1 2 3 4 5

SIRUBA

PARTS LIST

Series

C007K/C007KD
C858K/C858KD

Parts Group

UTQ-K1

Subclass / Remark

For allocation

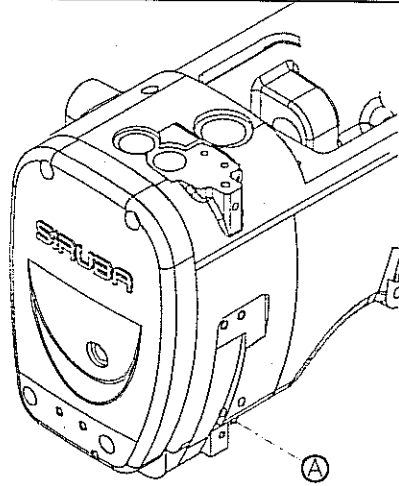
Page

8/12

Date

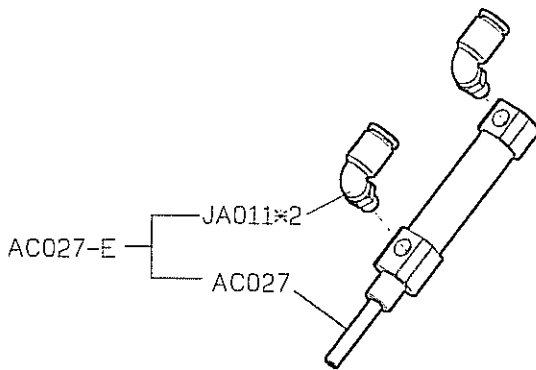
2013/08/06

A



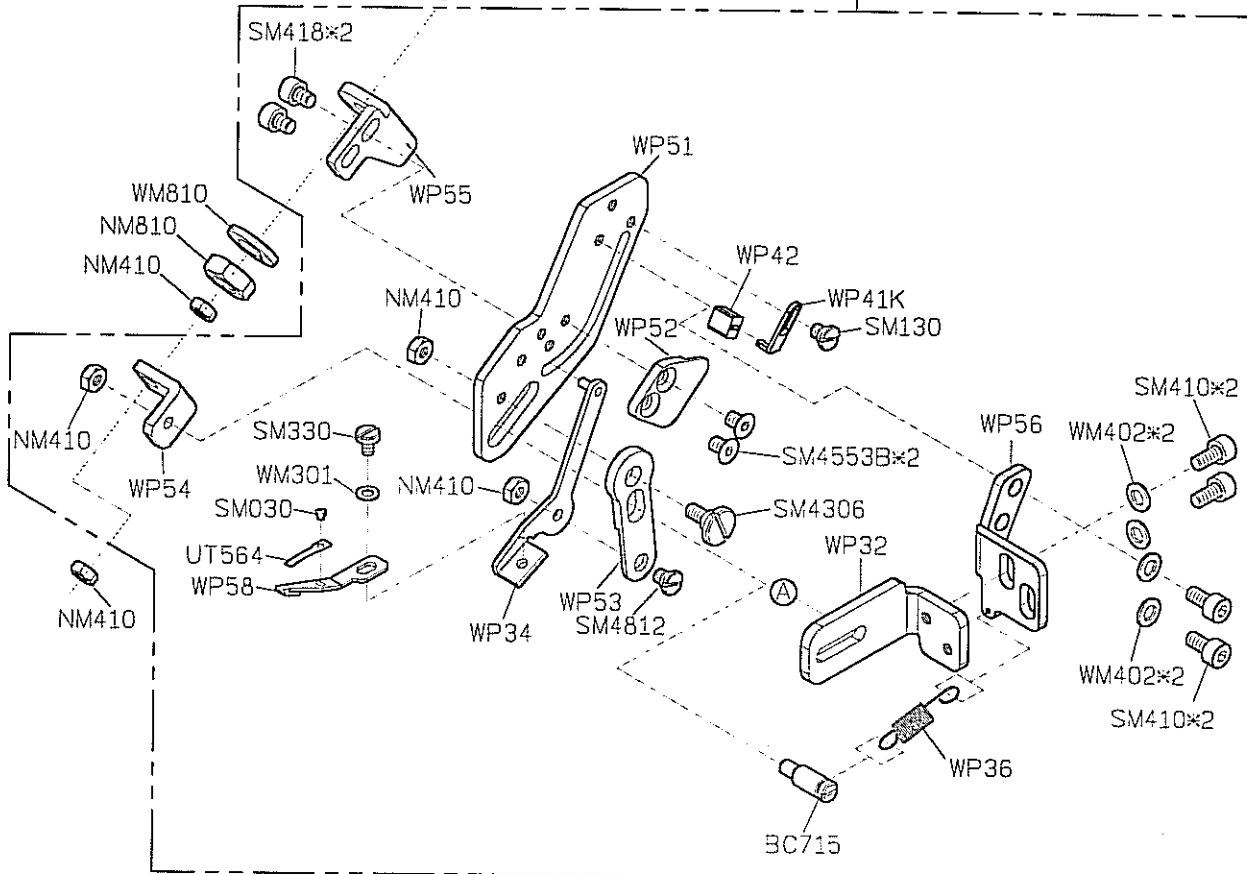
WP51-A1

B



WP51-A

C



D

E

1

2

3

4

5

SIRUBA

PARTS LIST

Series

C007K/C007KD
C858K/C858KD

Parts Group

UTP-K

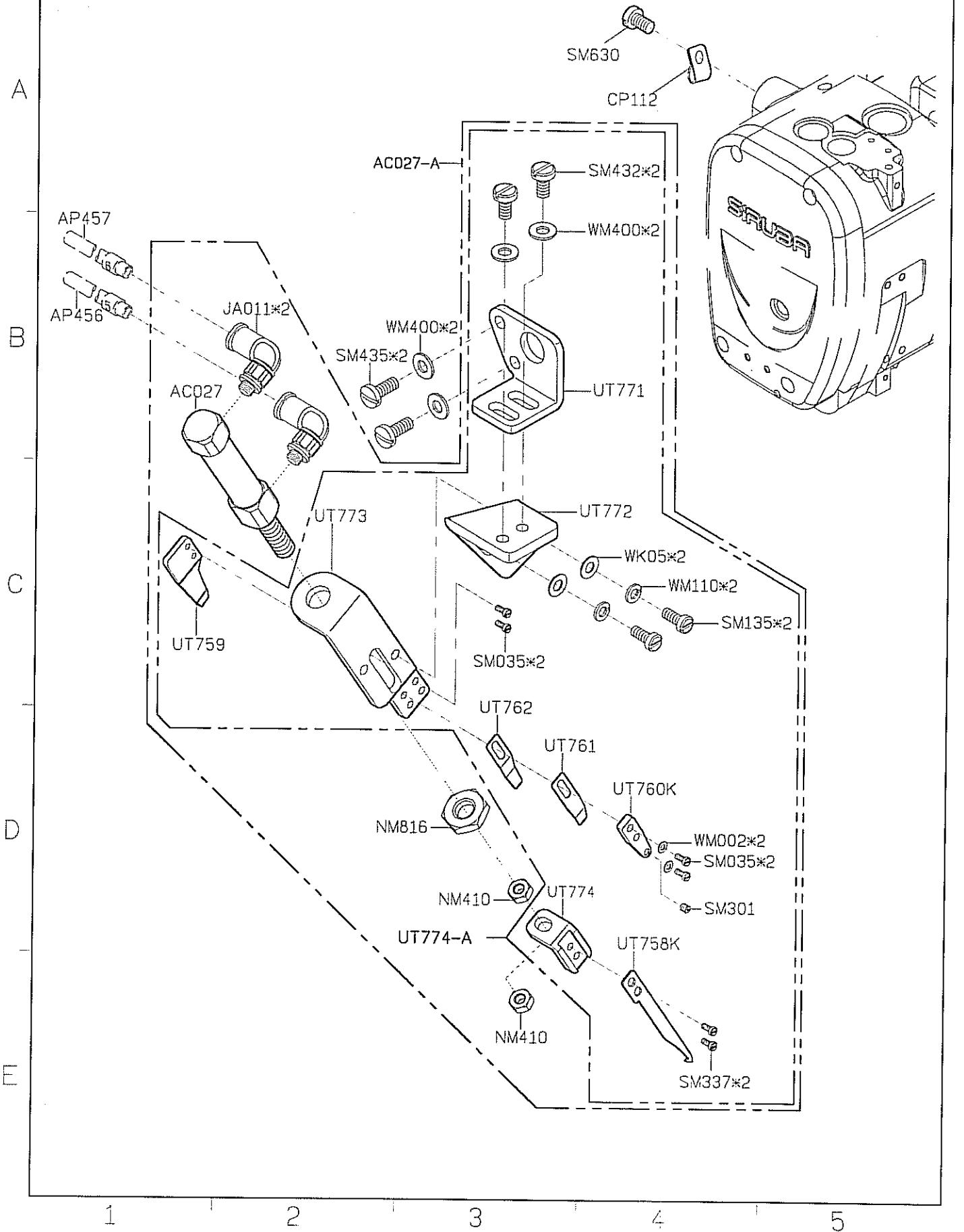
Subclass / Remark

Page

9/12

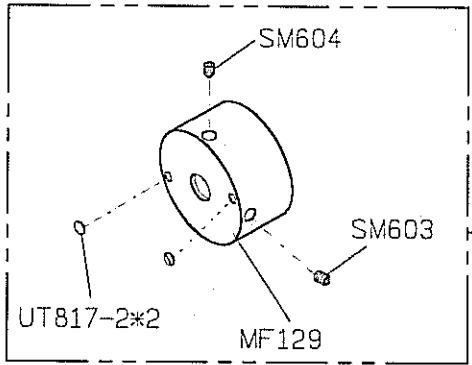
Date

2013/08/06



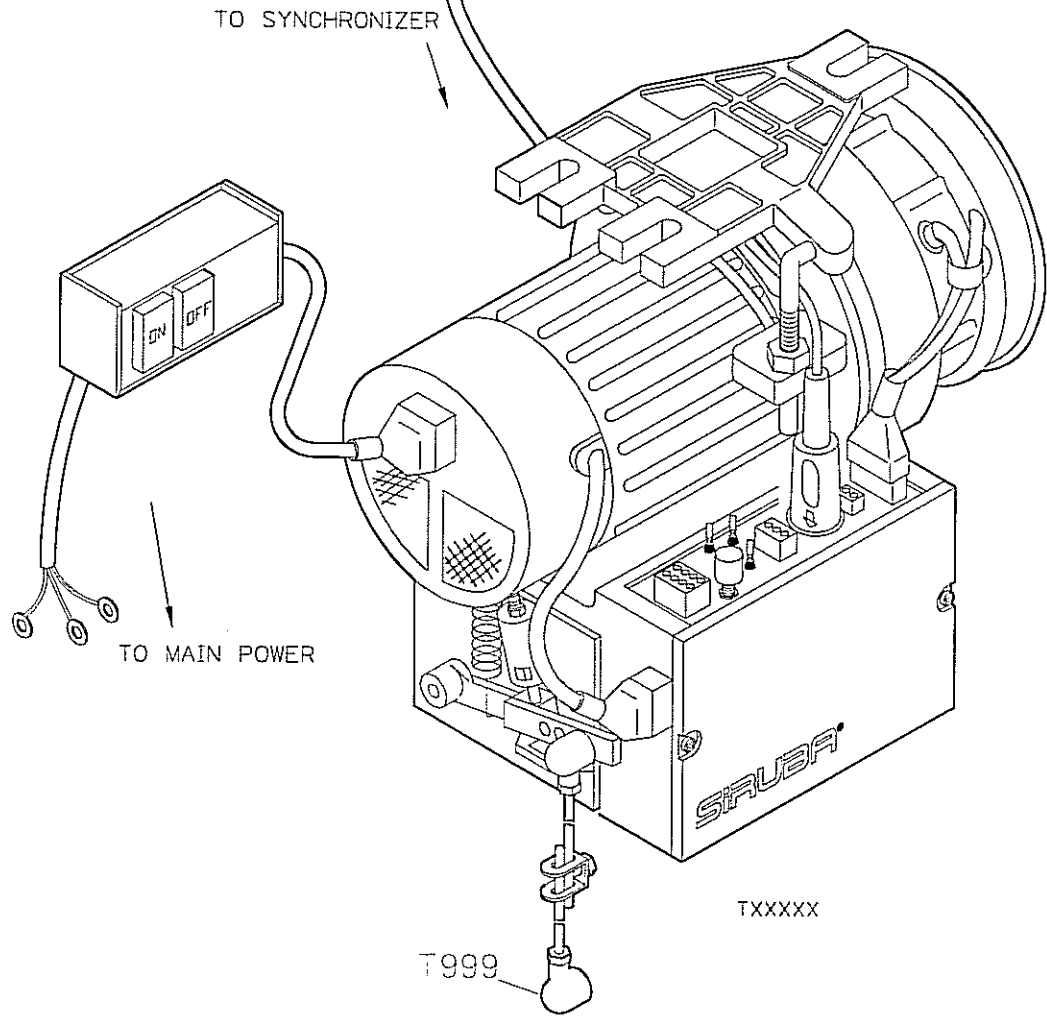
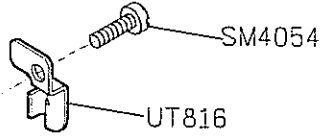
SIRUBA PARTS LIST	Series	Parts Group	Subclass / Remark	Page
	C007K/C007KD	UTP(UTQ)-K	For C007K/C858K ☐ : Use for H brand motor	10/12
	C858K/C858KD			Date
				2013/08/06

A
B
C
D
E



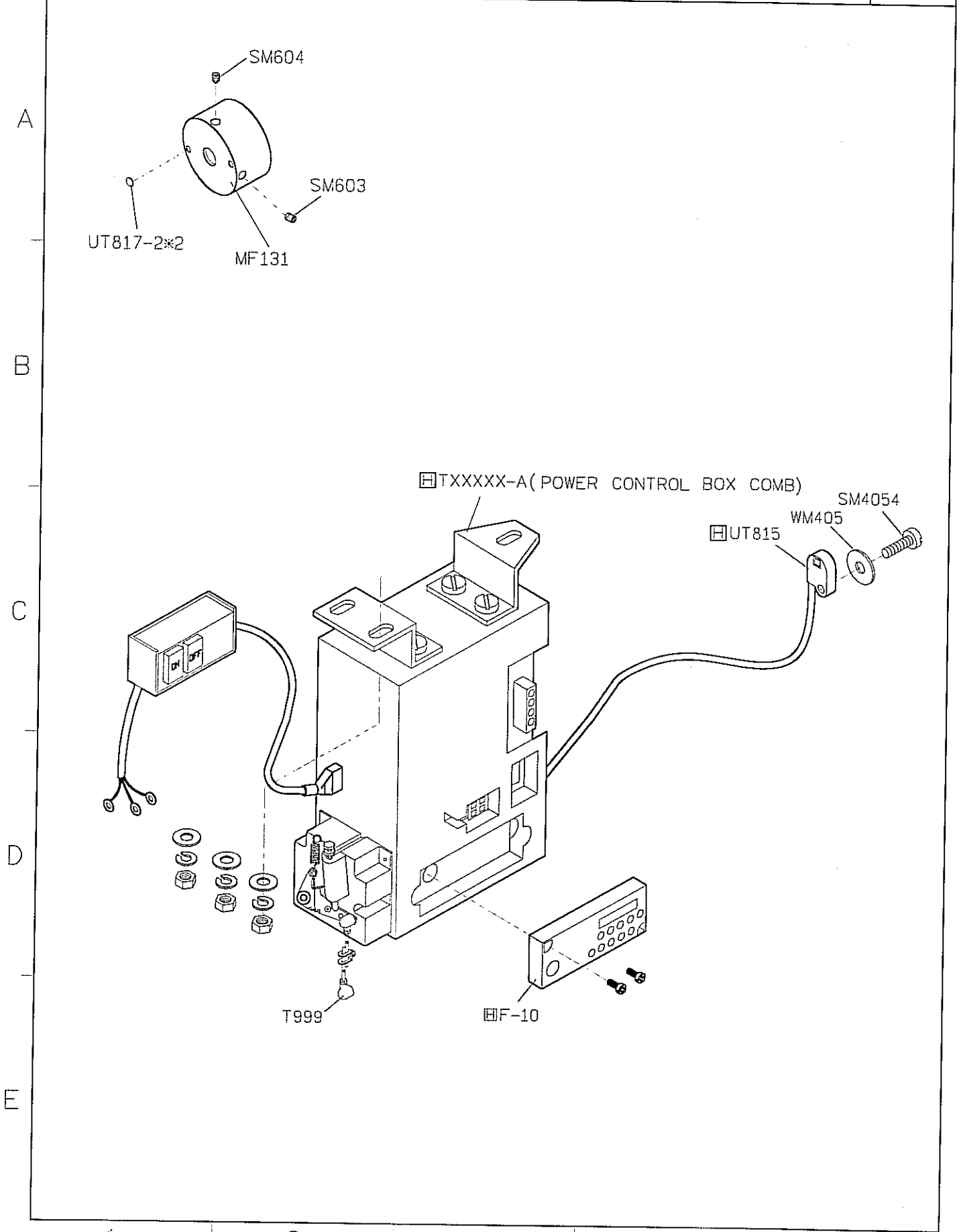
UT818J-A

☐UT815

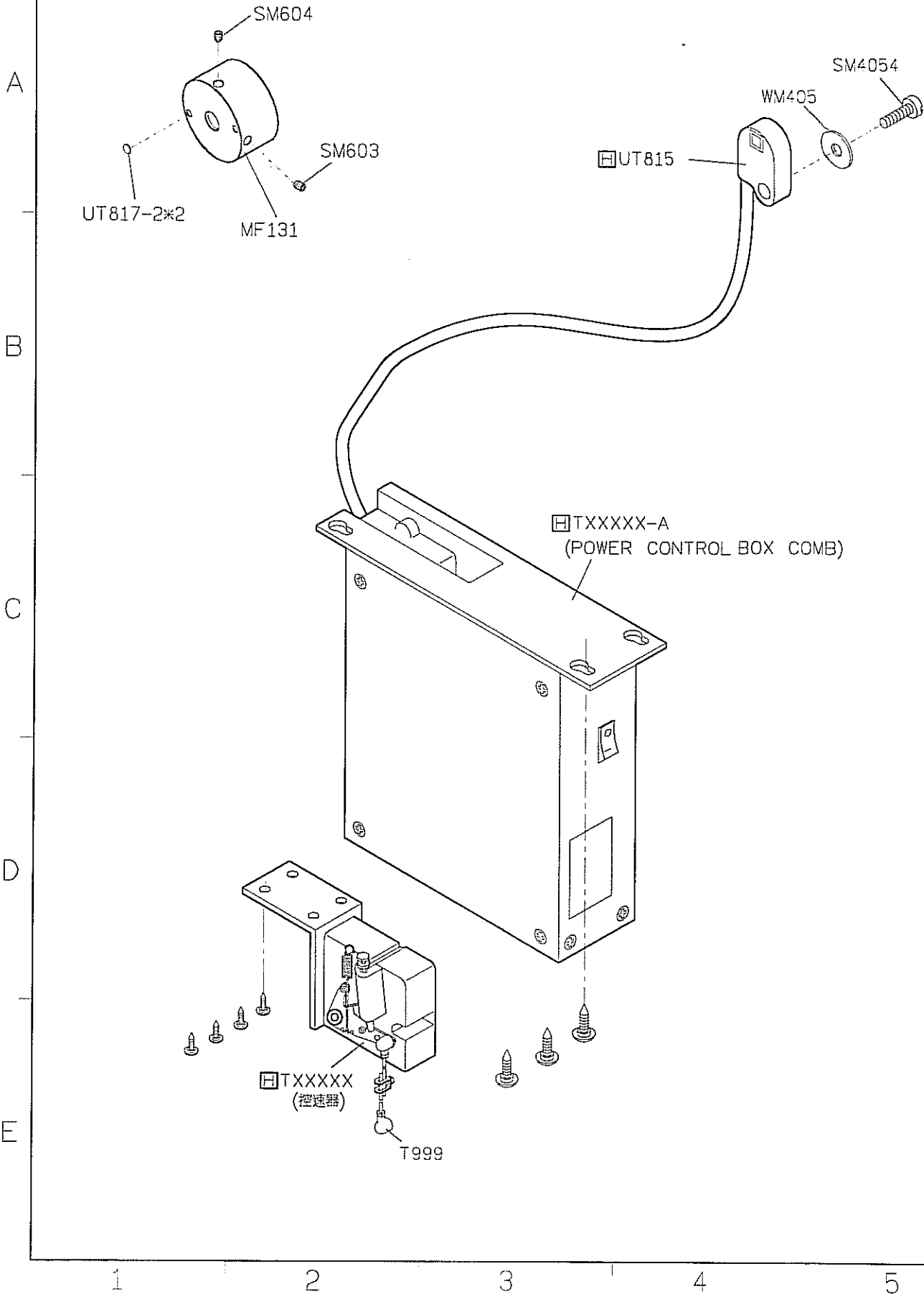


1 2 3 4 5

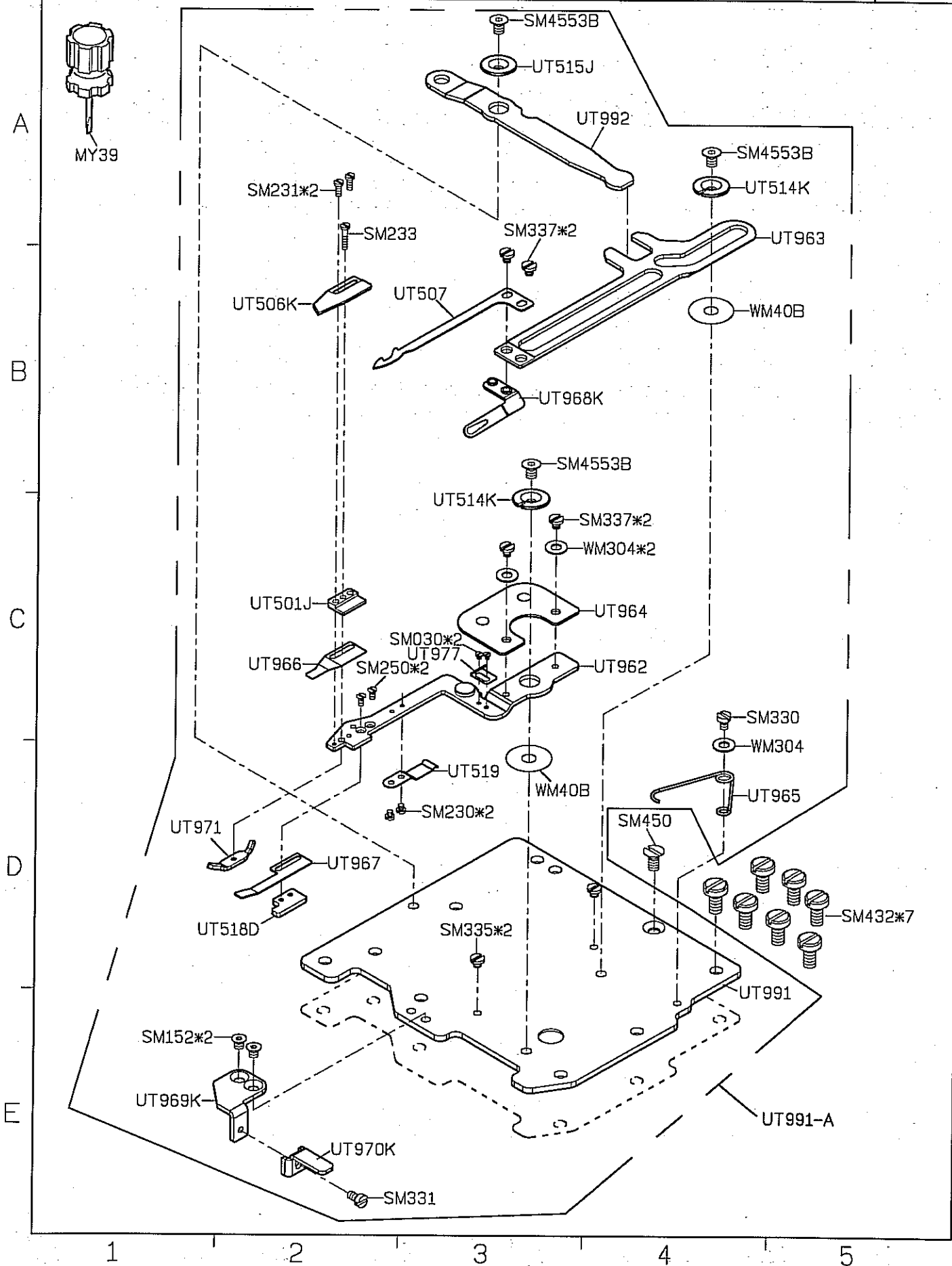
SIRUBA PARTS LIST	Series	Parts Group	Subclass / Remark	Page
	C007K/C007KD C858K/C858KD	UTP(UTQ)-K	For C007KD/C858KD ☐ : Use for H brand motor	11/12
				Date
				2013/08/06



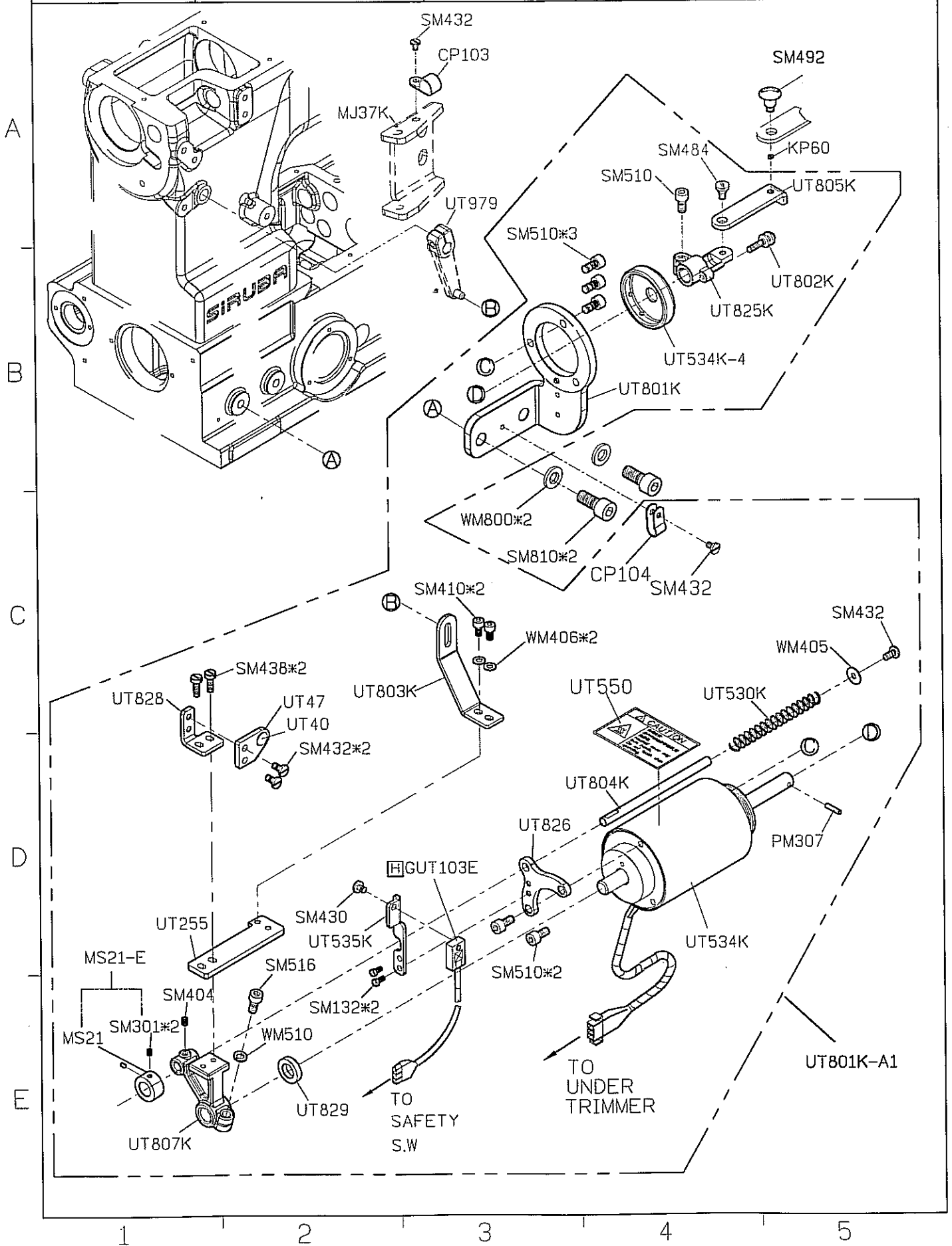
SIRUBA PARTS LIST	Series	Parts Group	Subclass / Remark	Page
	C007K/C007KD C858K/C858KD	UTP(UTQ)-K	For C007KD/C858KD ☐ : Use for H brand motor (HVP-70)	12/12
				Date 2013/08/06



SIRUBA PARTS LIST	Series	Parts Group	Subclass / Remark	Page
	C007K/C007KD	UTR(UTS)-K		1/12
	C858K/C858KD			Date
				2014/02/27

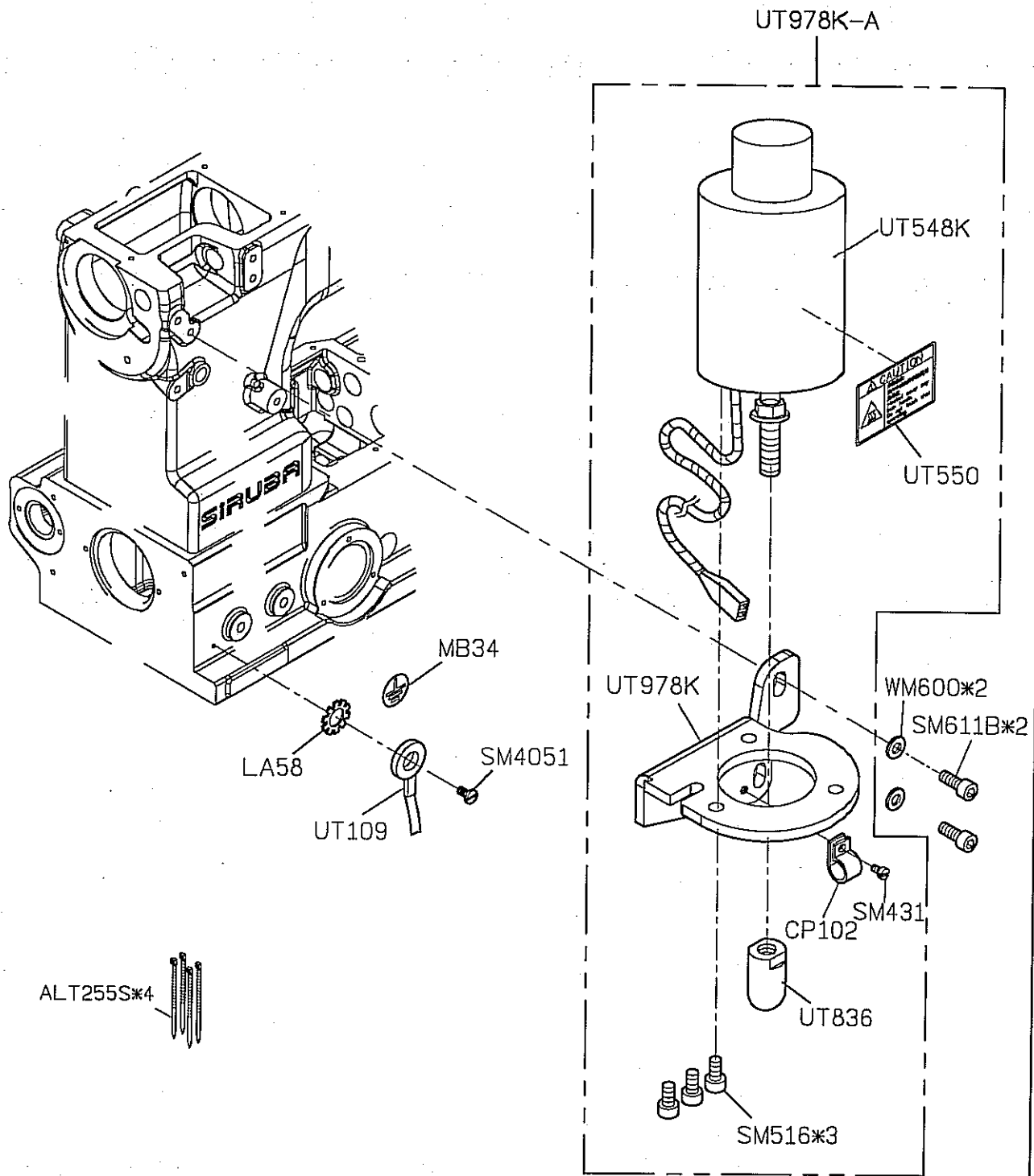


SIRUBA PARTS LIST	Series	Parts Group	Subclass / Remark	Page
	C007K/C007KD	UTR(UTS)-K	☒ : Use for H brand motor	2/12
	C858K/C858KD			Date
				2012/12/18



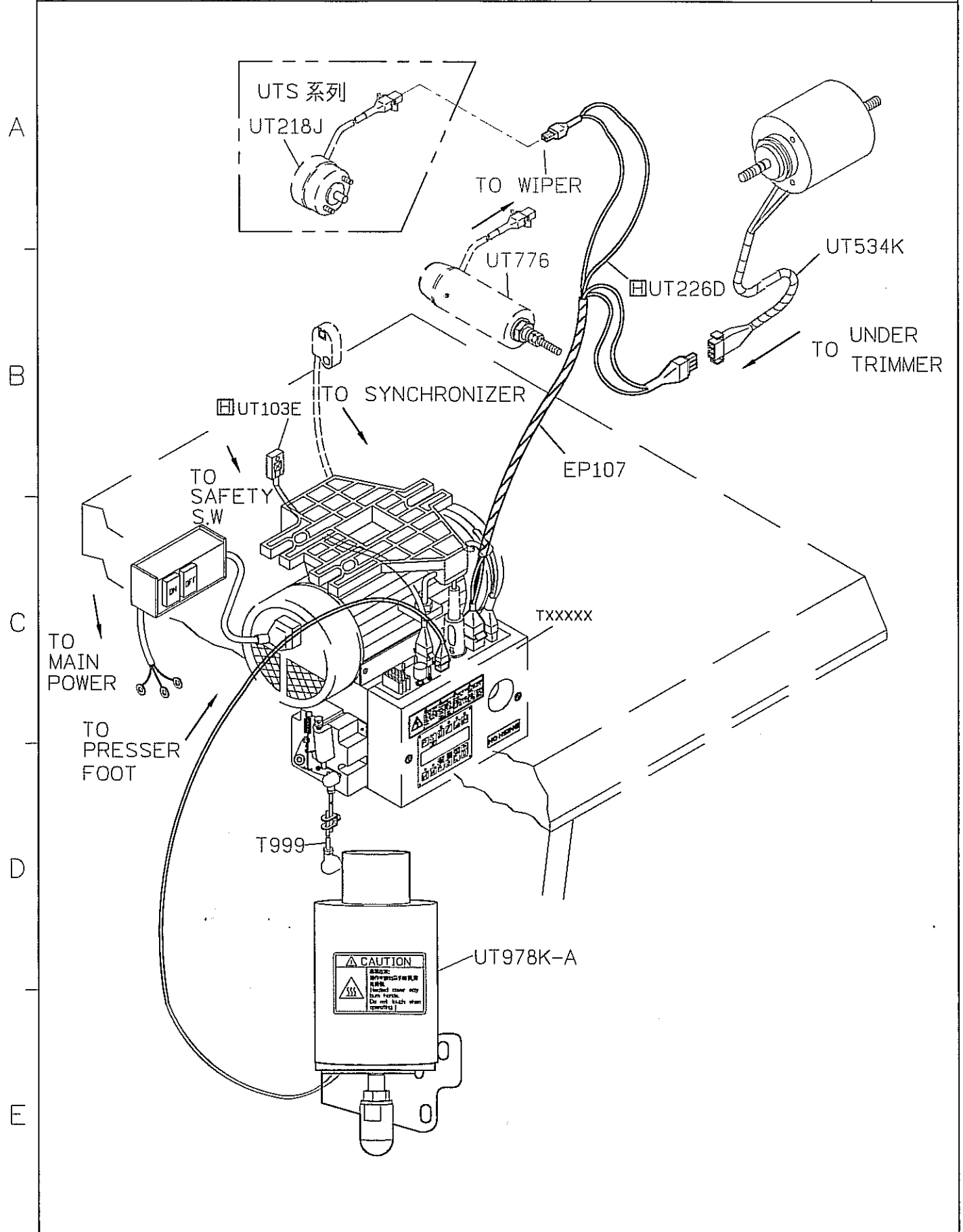
SIRUBA PARTS LIST	Series	Parts Group	Subclass / Remark	Page
	C007K/C007KD	UTR(UTS)-K	☐ : Use for H brand motor	3/12
	C858K/C858KD			Date
				2014/02/19

A
B
C
D
E



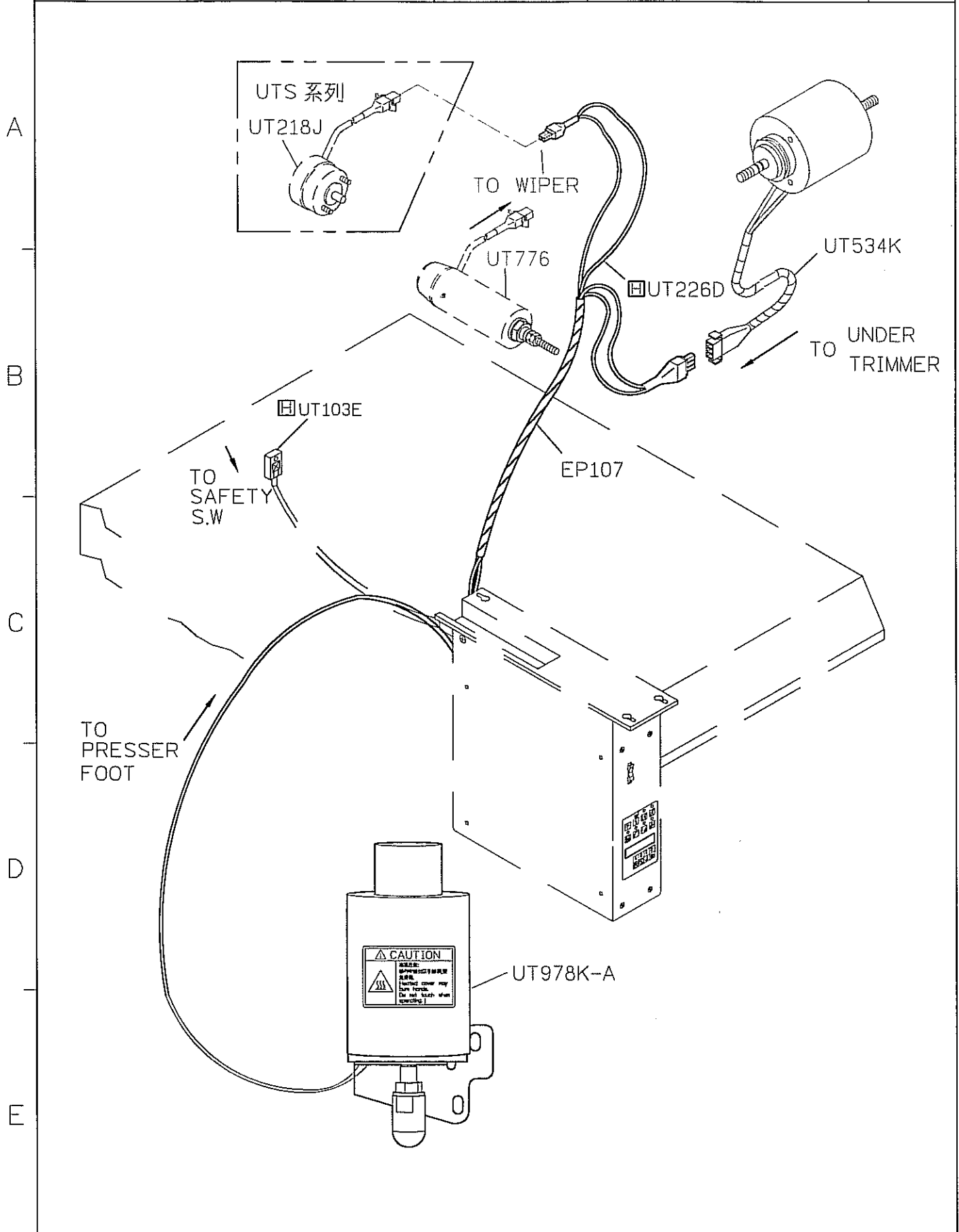
1 2 3 4 5

SIRUBA PARTS LIST	Series	Parts Group	Subclass / Remark	Page
	C007K/C007KD	UTR(UTS)-K	For C007K/C858K ☐ : Use for H brand motor	4/12
	C858K/C858KD			Date
				2012/11/01

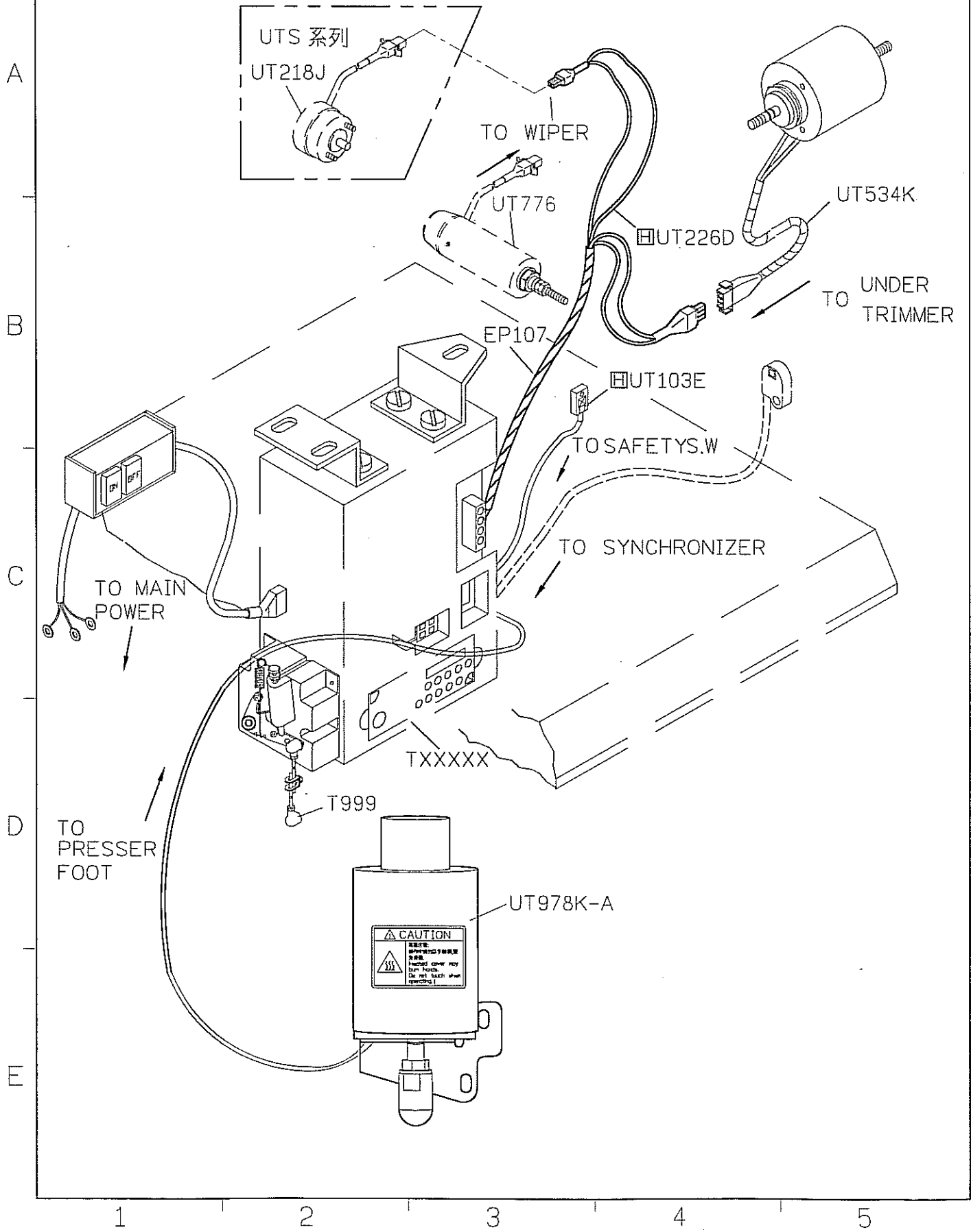


1 2 3 4 5

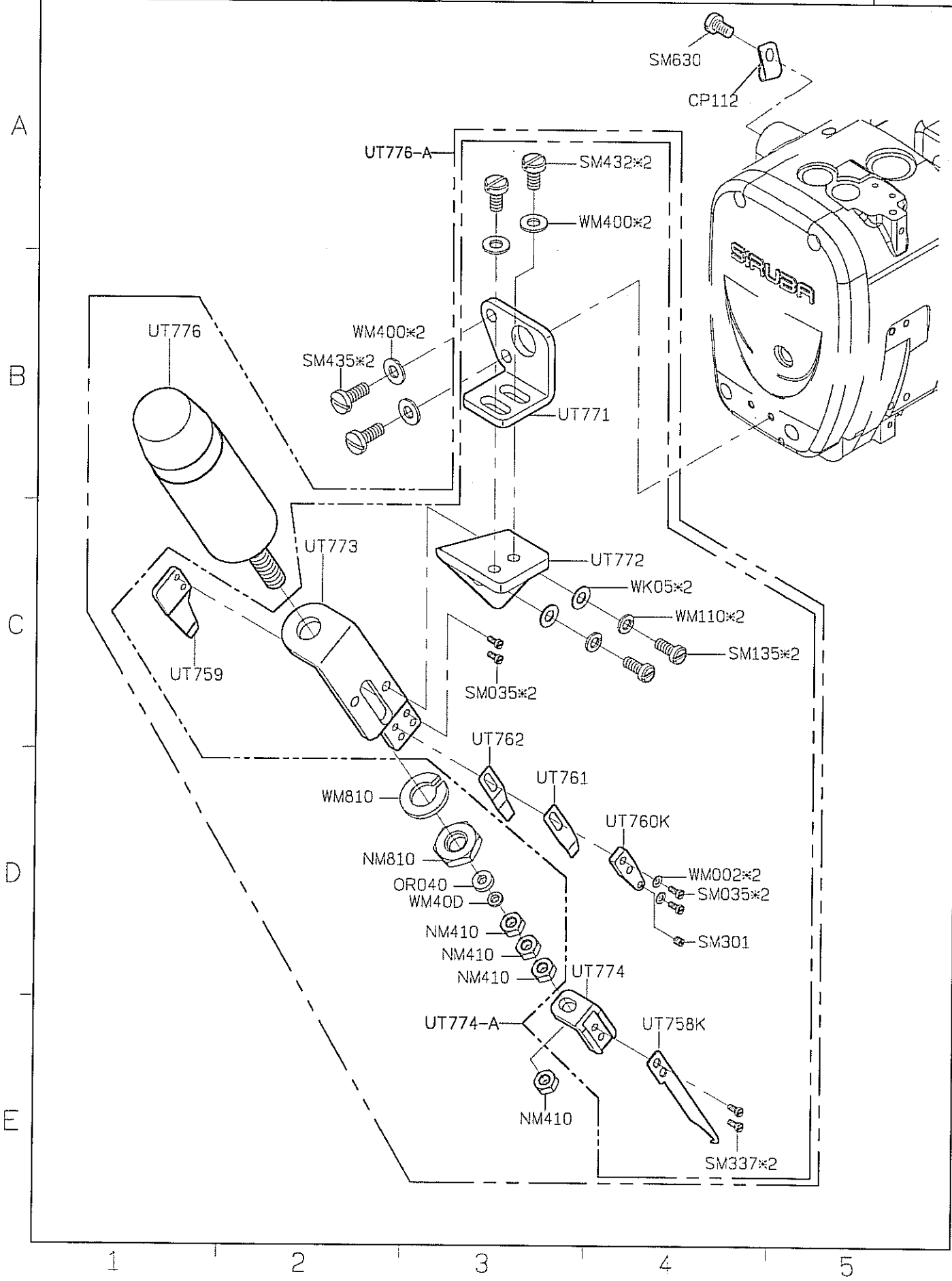
SIRUBA PARTS LIST	Series	Parts Group	Subclass / Remark	Page
	C007K/C007KD C858K/C858KD	UTR(UTS)-K	For C007KD/C858KD ☐ : Use for H brand motor (HVP-70)	5/12 Date 2012/11/01



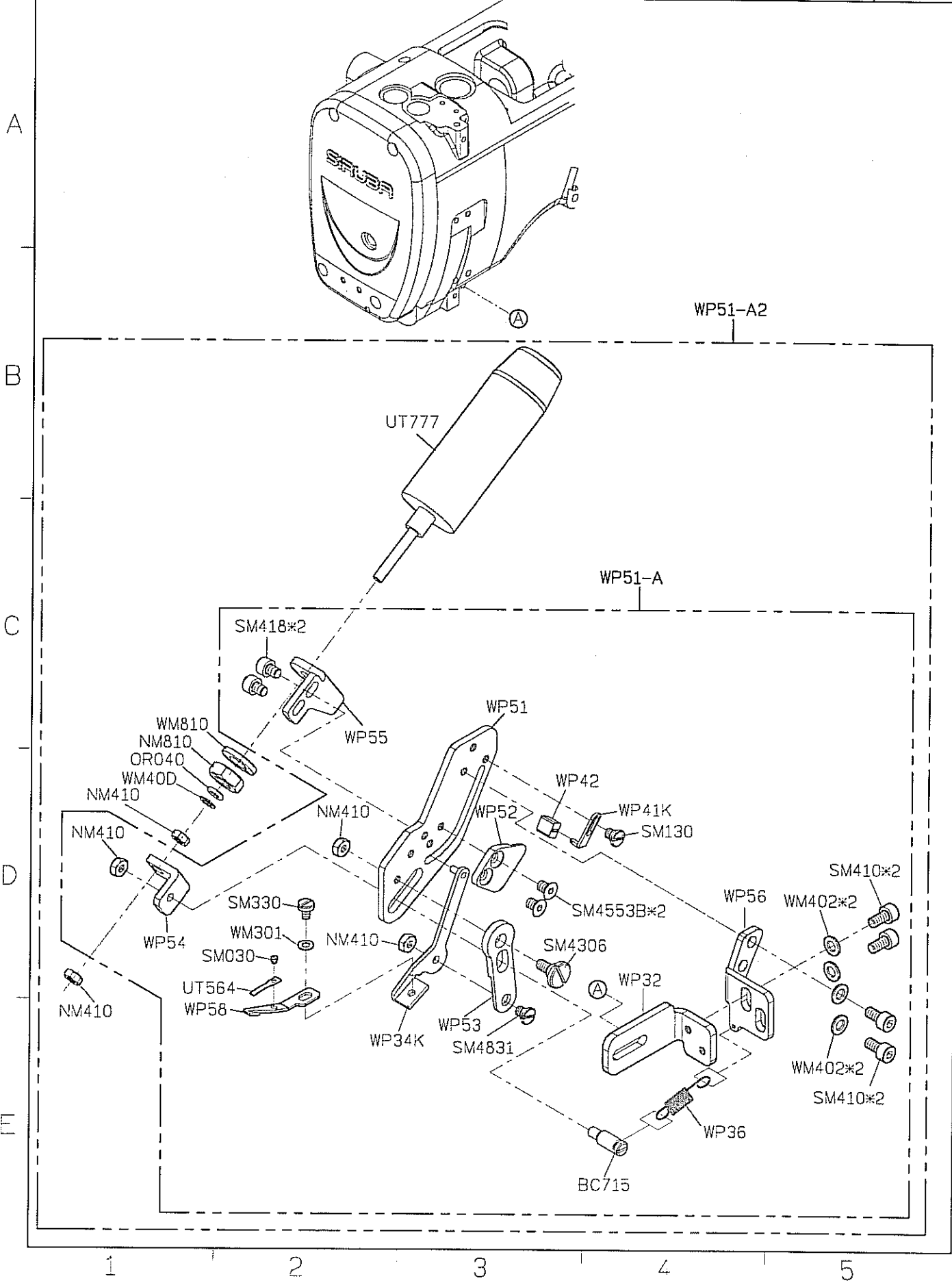
SIRUBA PARTS LIST	Series	Parts Group	Subclass / Remark	Page
	C007K/C007KD	UTR(UTS)-K	For C007KD/C858KD ☐ : Use for H brand motor (HVP-20)	6/12
	C858K/C858KD			Date
				2012/11/01



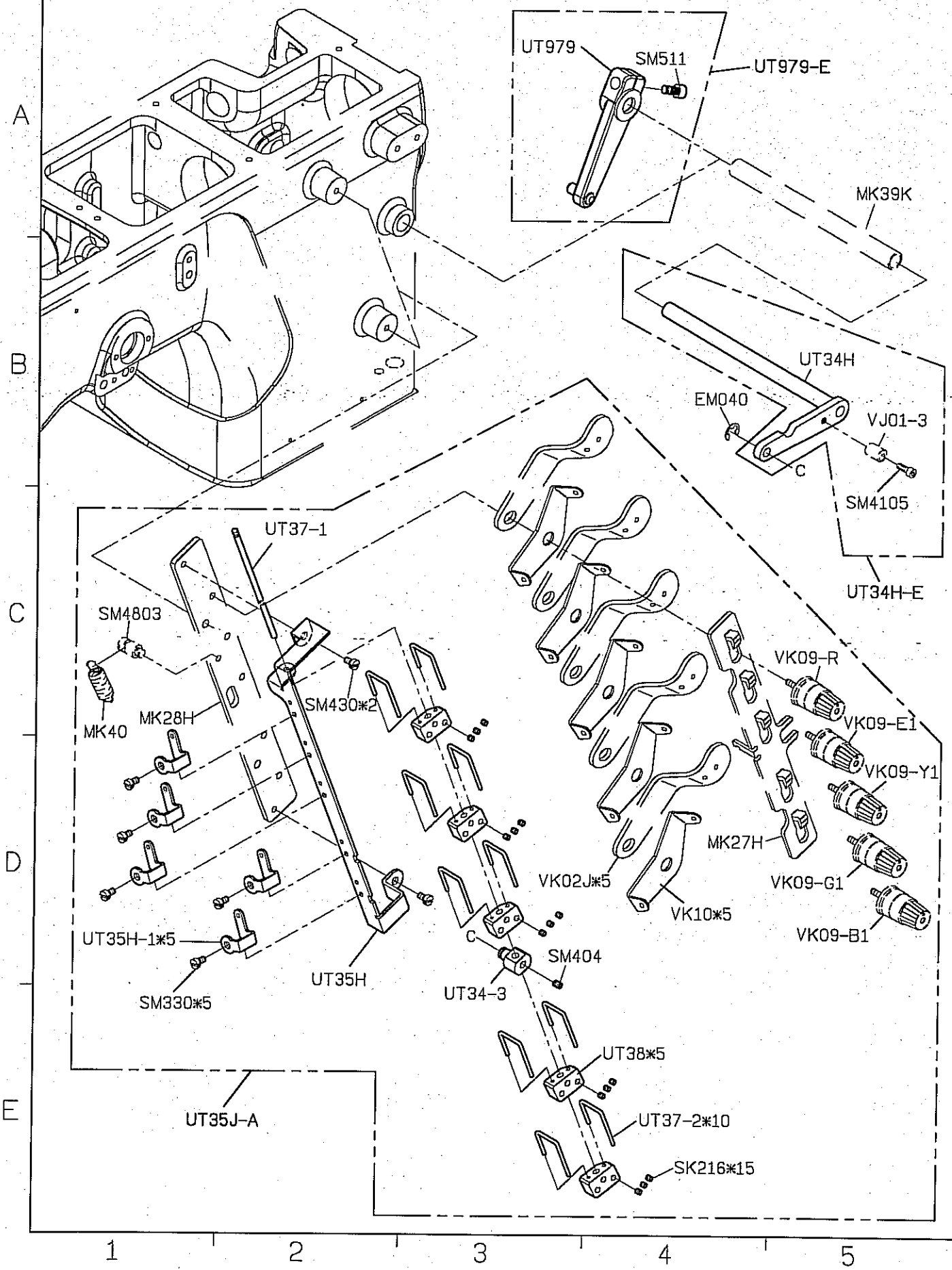
SIRUBA PARTS LIST	Series	Parts Group	Subclass / Remark	Page
	C007K/C007KD	UTR-K		7/12
	C858K/C858KD			Date
				2013/07/24



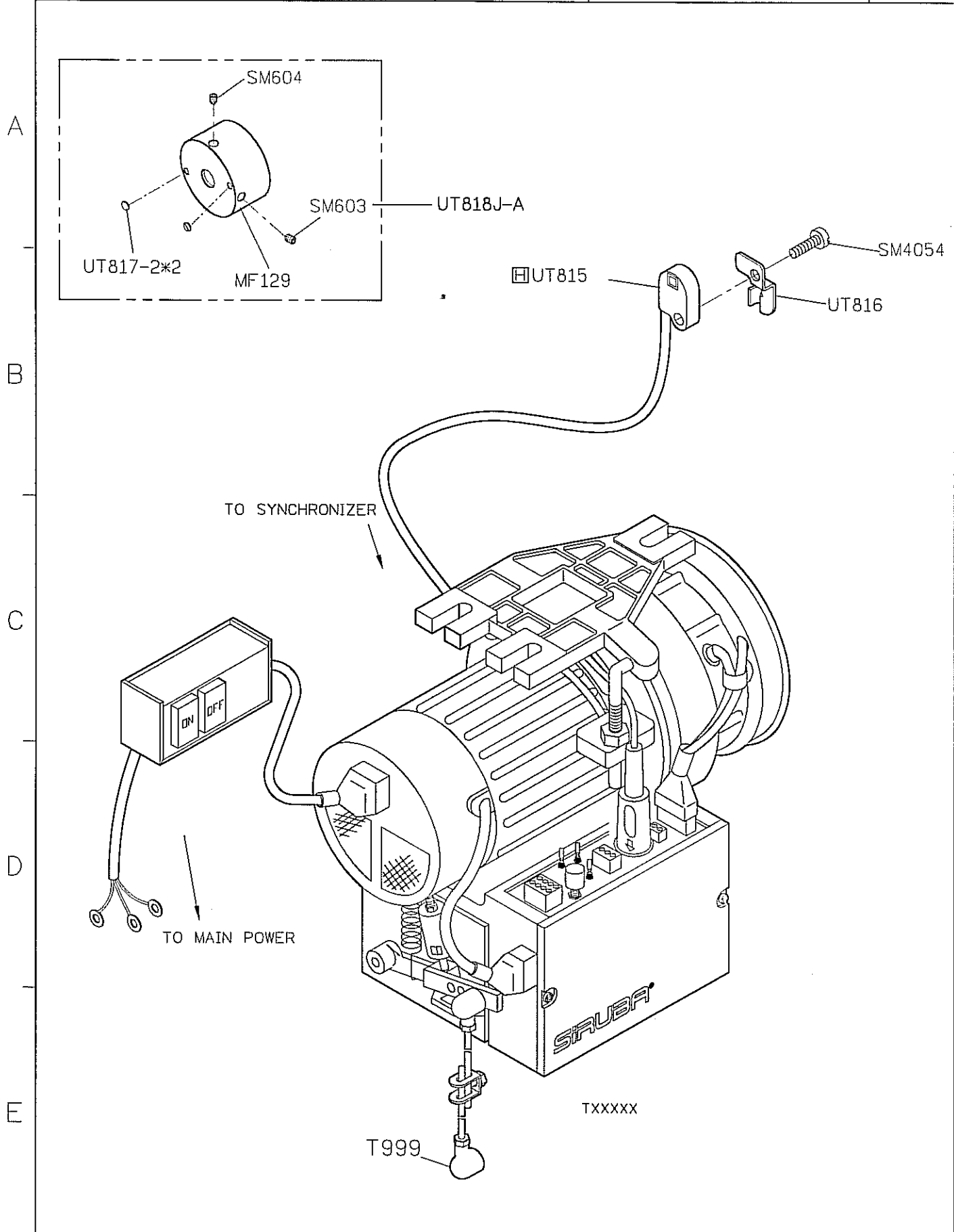
SIRUBA PARTS LIST	Series	Parts Group	Subclass / Remark	Page
	C007K/C007KD	UTS-K		8/12
	C858K/C858KD			Date
				2013/08/06



SIRUBA PARTS LIST	Series	Parts Group	Subclass / Remark	Page
	C007K/C007KD	UTR(UTS)-K		9/12
	C858K/C858KD			Date
				2013/10/16

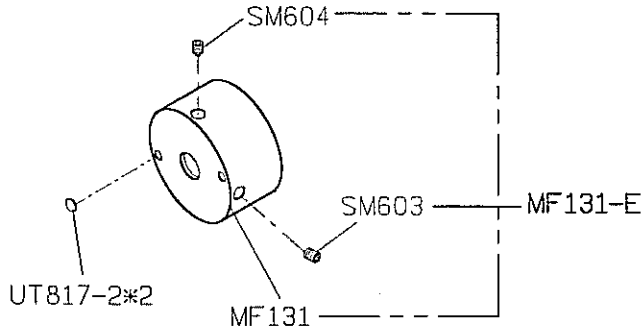


SIRUBA PARTS LIST	Series	Parts Group	Subclass / Remark	Page
	C007K/C007KD	UTR(UTS)-K	For C007K/C858K	10/12
	C858K/C858KD		☐ : Use for H brand motor	Date
				2012/11/01



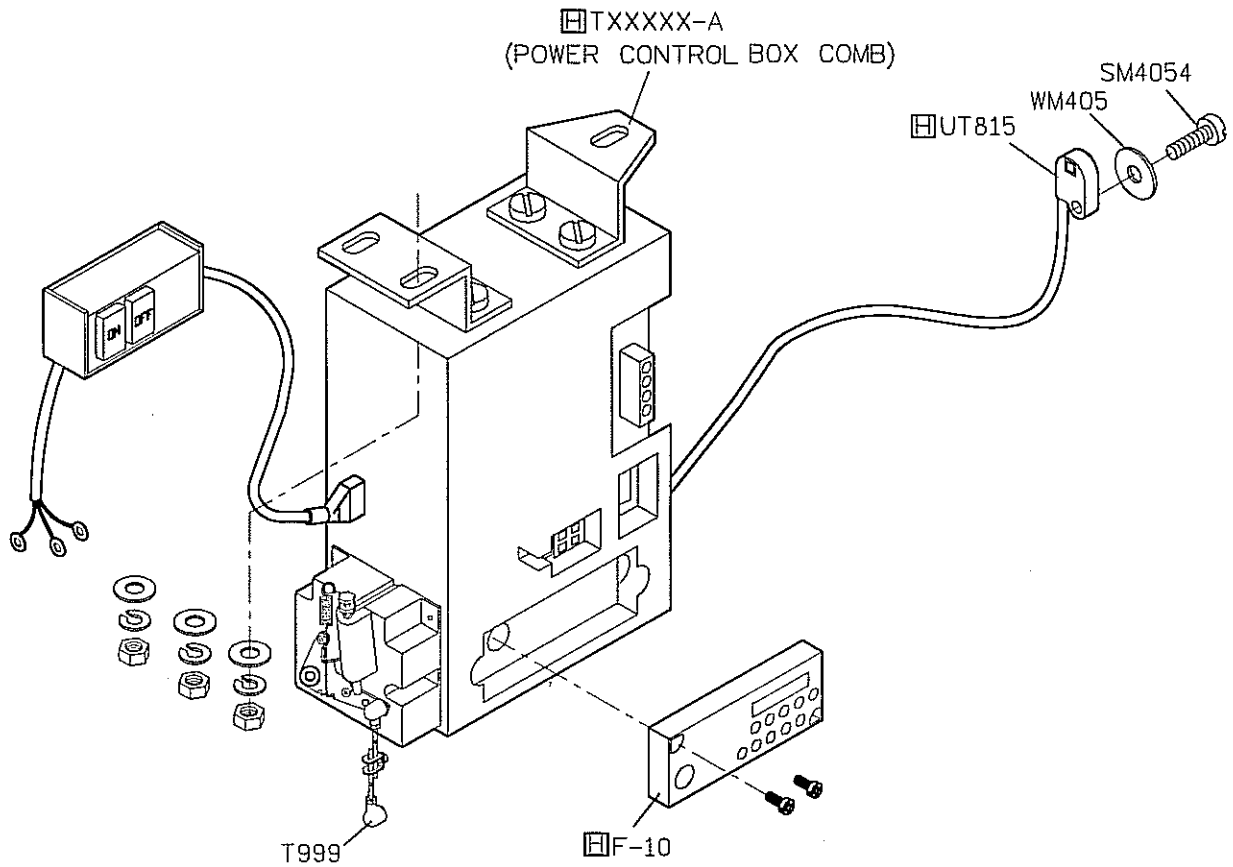
SIRUBA PARTS LIST	Series	Parts Group	Subclass / Remark	Page
	C007K/C007KD	UTR(UTS)-K	For C007KD/C858KD	11/12
	C858K/C858KD		☐ : Use for H brand motor (HVP-20)	Date
				2012/11/01

A



B

C



D

E

1

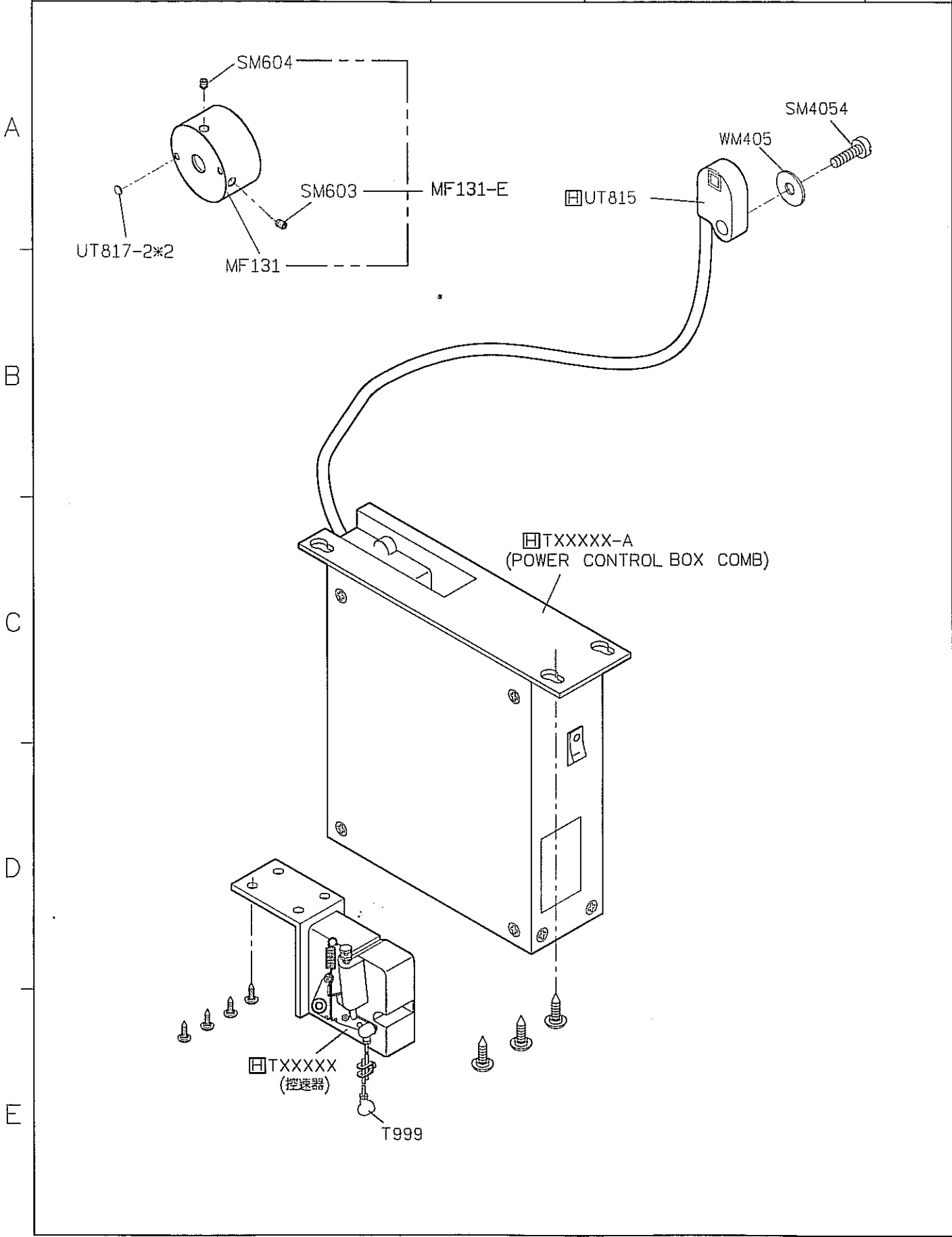
2

3

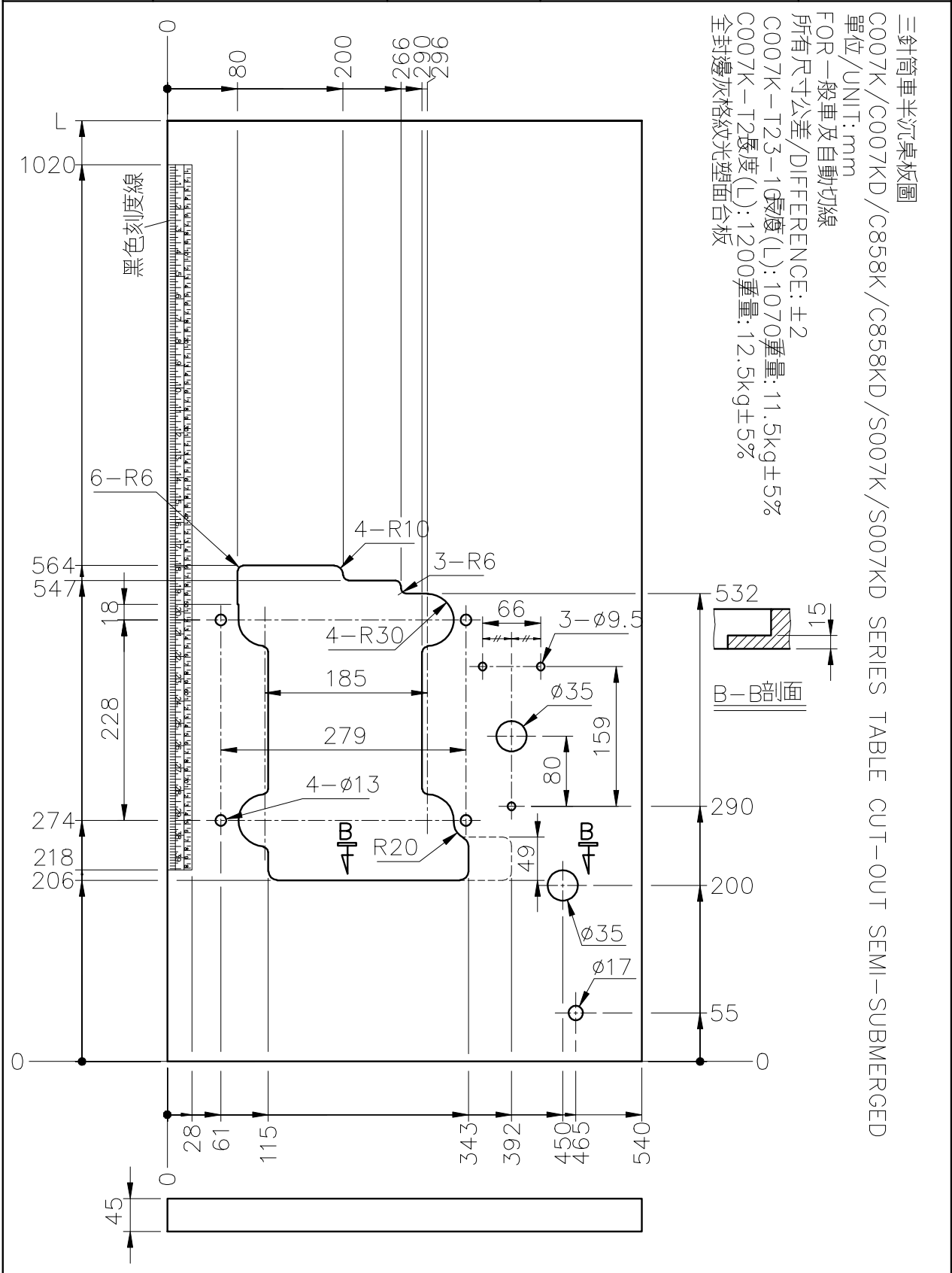
4

5

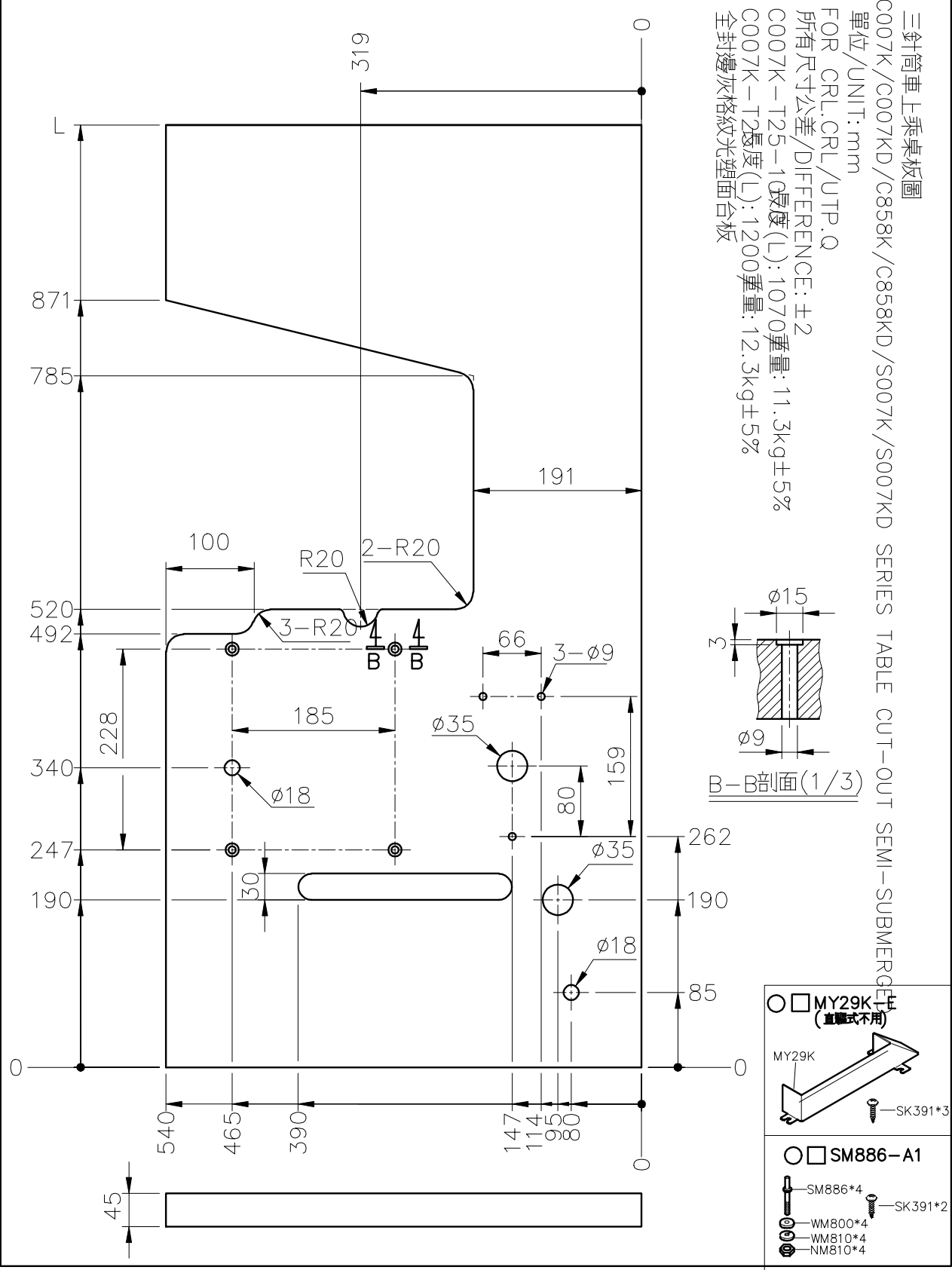
SIRUBA PARTS LIST	Series	Parts Group	Subclass / Remark	Page
	C007K/C007KD C858K/C858KD	UTR(UTS)-K	For C007KD/C858KD ☐ : Use for H brand motor (HVP-70)	12/12 Date 2012/11/01



SIRUBA TABLE CUT - OUT	Series	Item Code	Subclass / Remark	Mounting
	C007K/C007KD C858K/C858KD S007K/S007KD	C007K-T23	For All Series	Semi-submerged
				Date 2013/01/26



SIRUBA TABLE CUT - OUT	Series C007K/C007KD C858K/C858KD S007K/S007KD	Item Code C007K-T25	Subclass / Remark For All Series excluding ① RLP,RLQ Elastic tape attaching ② CRL Models ③ Condensed stitch(CAR,CMR,SAR,SER→)	Mounting Non-submerged Date 2013/01/26
---	---	--------------------------------------	--	---



SIRUBA

TABLE
CUT - OUT

Series
C007K/C858K

Item Code
C007K-T26

Subclass / Remark
For CFC

Mounting
Non-submerged
Date
2013/07/09

三針筒車下乘桌板圖
C007K/C858K SERIES TABLE CUT-OUT SEMI-SUBMERGED
單位/UNIT:mm
FOR CFC
所有尺寸公差/DIFFERENCE:±2
C007K-T26-1070長度(L):1070/重量:11.5kg±5%
長度(L):1200/重量:12.5kg±5%
全封邊灰格紋光塑面台板

